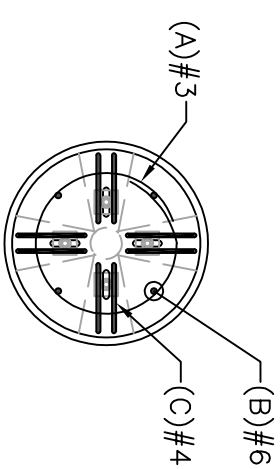
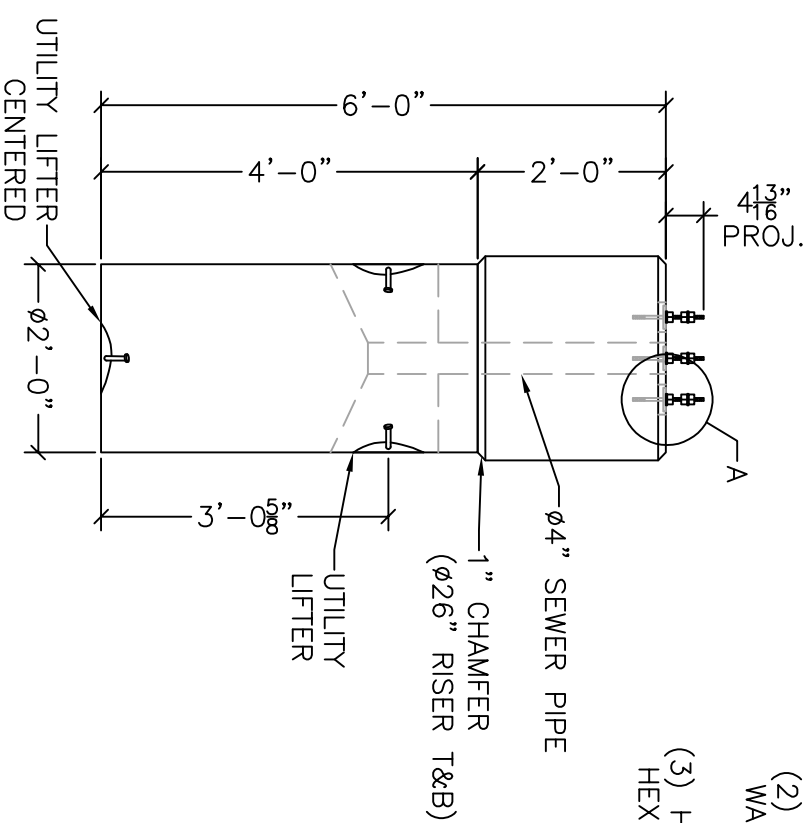


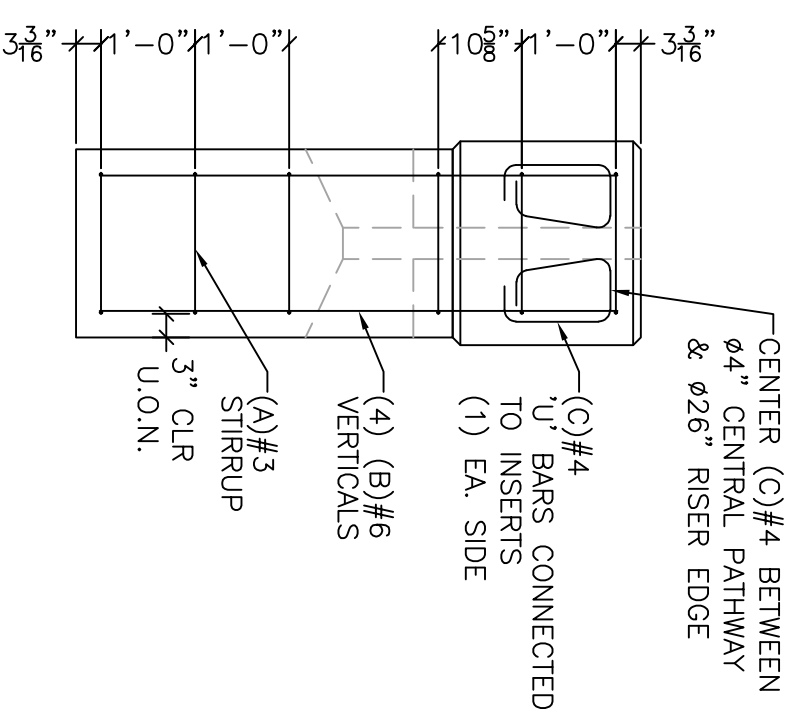
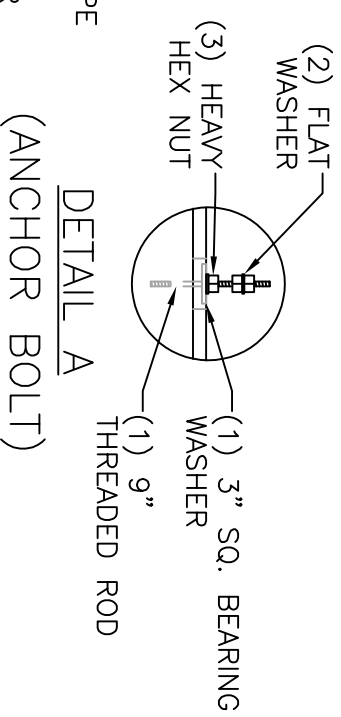
PLAN VIEW IN FORM



STEEL PLAN VIEW IN FORM



ELEVATION VIEW IN FORM



STEEL ELEVATION VIEW IN FORM

DATE: / /

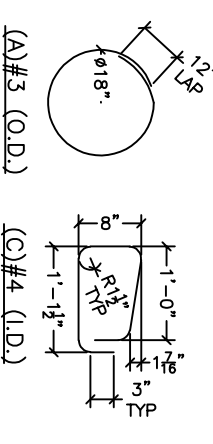
MIX #: 58

FINISH (FORM): SMOOTH
(TROWEL): SMOOTH

SECTION	CU YD	WEIGHT: LBS
BASE	0.68	2754
TOTAL	-	-

REINFORCING

MARK	SIZE	SHAPE	LENGTH	QTY
A	#3	0	5'-9"	6
B	#6	STR	5'-6"	4
C	#4	U	3'-7 1/8"	8



EMBEDDED ITEMS

ITEM	DESCRIPTION	QTY
-	UTILITY LIFTER (LUL414G)	3
-	3" BULLET CHAIRS	4
-	3" WHEEL CHAIRS	1
-	Ø4" PVC PIPE, 28 1/2" LG	6
-	INSERTS (RED)	4
-	NYLON BOLTS	8
-	NYLON NUTS	8

SHIPPED LOOSE

-	THREADED ROD	4
-	BEARING WASHER	4
-	HEAVY HEX NUT	12
-	FLAT WASHER	8

DESIGN CRITERIA

CONCRETE: 5000 PSI @ 28 DAYS
2000 PSI @ STRIPPING

ENTRAINED AIR: 5% - 9%

REINFORCEMENT: BAR-ASTM A615 GR60
WIR-ASTM A185/A497 GR65

DESIGN PER: AASHTO LRFDLTS-1

REV	DATE	DESCRIPTION
-	-	-

LPB CLASSIC
LAKELANDS PRODUCTION DRAWING
6' HEIGHT



7520 EAST MAIN STREET, LIMA NY 14485
PH: 585-624-1990 - FAX: 585-624-2102

DRWN: JMP CHKD: DATE: 3/25/2022

FILE PATH: PROD/LB/LPB/DRAWINGS