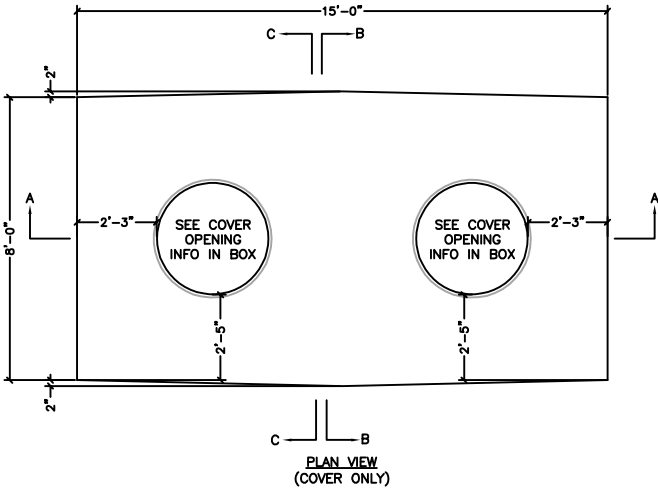


DESIGN CRITERIA:

CONCRETE: 5000 PSI @ 28 DAYS
 ENTRAINED AIR: 5% - 9%
 DESIGN LOADING: AASHTO HS20-44 WITH
 LESS THAN 2'-0" EARTH COVER
 REINFORCEMENT: BAR-ASTM A615 GR60
 WWR-ASTM A185/A497 GR65

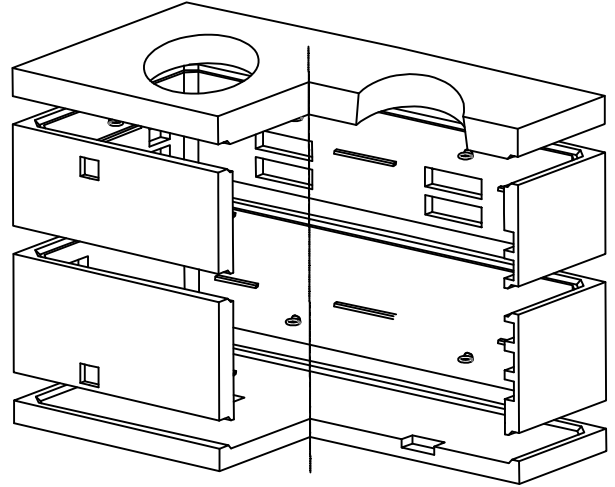
****MAXIMUM DISTANCE FROM GRADE
 TO TOP OF BASE SLAB = 13'-0".
 EARTH COVER = 2'-0" MAXIMUM****

MS#: MS3472



□ #38" TAPERED TO #40" COVER OPENING
 □ OTHER

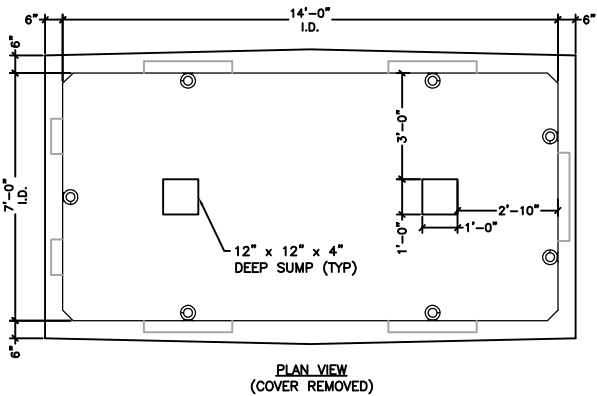
****COVER OPENING SIZES ARE STANDARD SIZES AND ARE AS SHOWN IN THE PRECAST COVER PLAN VIEW. CUSTOM SIZES ARE AVAILABLE AT THE CUSTOMERS REQUEST. LOCATION CAN VARY.**



ISOMETRIC VIEW

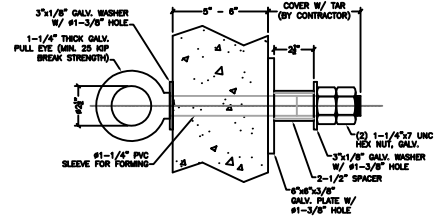
SPECIFICATIONS:

1. KNOCKOUTS SHOWN ARE STANDARD PER NATIONAL GRID SPECIFICATIONS.
2. PULLING EYE, KNOCKOUT, AND UNISTRUT LOCATION MAY BE ALTERED TO SATISFY THE CUSTOMERS NEED.
3. CAST IRON FRAME AND GRATES AVAILABLE FOR PURCHASE.

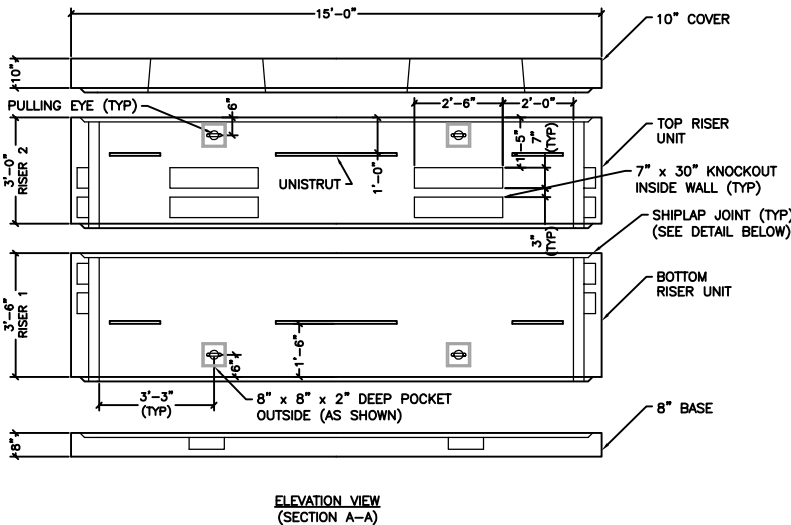
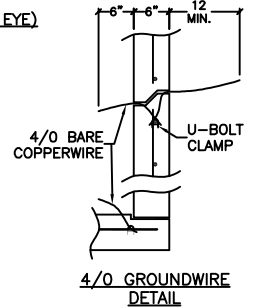
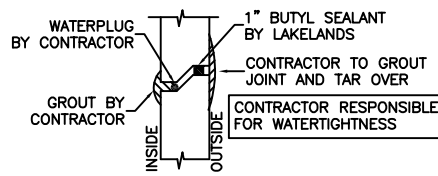


****WITH STOCK #38" TAPERED TO #40" OPENING**

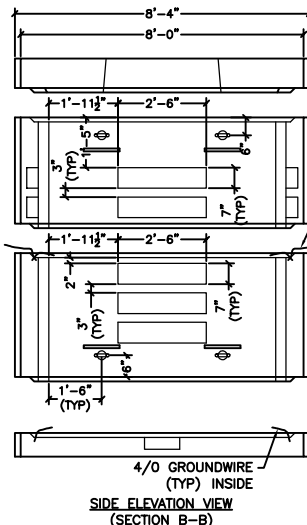
COMPONENT	WEIGHT (LBS)
COVER	11021
BASE	12250
36" RISER	11146
42" RISER	12954
TOTAL	47371



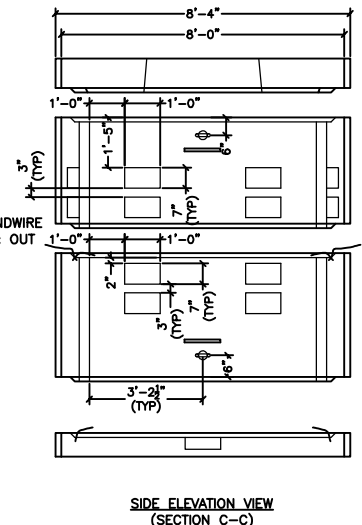
TYPICAL PULLING EYE



ELEVATION VIEW (SECTION A-A)



SIDE ELEVATION VIEW (SECTION B-B)



SIDE ELEVATION VIEW (SECTION C-C)