

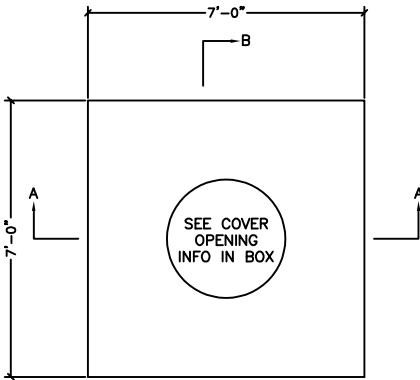
MANHOLE

6'-0" x 6'-0" x 4'-0"

DESIGN CRITERIA:

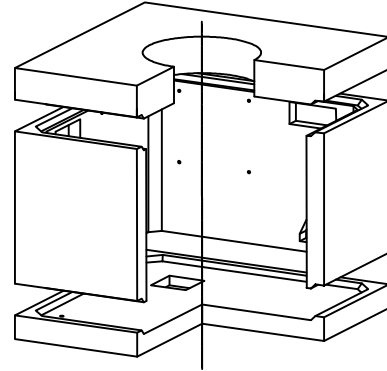
CONCRETE: 5000 PSI @ 28 DAYS
 ENTRAINED AIR: 5% - 9%
 DESIGN LOADING: AASHTO HS20-44 WITH
 LESS THAN 2'-0" EARTH COVER
 REINFORCEMENT: BAR-ASTM A615 GR60
 WWR-ASTM A185/A497 GR65

****MAXIMUM DISTANCE FROM GRADE
 TO TOP OF BASE SLAB = 14'-6".
 EARTH COVER = 2'-0" MAXIMUM****



PLAN VIEW
(COVER ONLY)

- Ø36" COVER OPENING
 - OTHER
- **COVER OPENING SIZES ARE STANDARD SIZES AND CENTERED IN THE PRECAST COVER. CUSTOM SIZES ARE AVAILABLE AT THE CUSTOMERS REQUEST. LOCATION CAN VARY.**



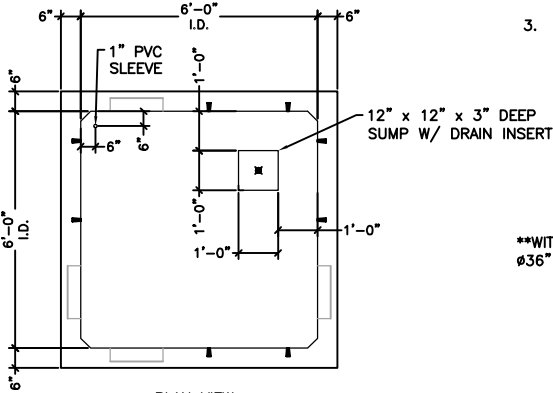
ISOMETRIC VIEW

SPECIFICATIONS:

- KNOCKOUTS SHOWN ARE STANDARD. VARIOUS KNOCKOUT TYPES ARE AVAILABLE, OPENINGS AS REQUIRED.
- INSERT AND PULLING IRONS ARE STANDARD, CUSTOM QUANTITY AND LOCATION AS NEEDED
- CAST IRON FRAME AND GRATES AVAILABLE FOR PURCHASE.



BOWCO INSERT PULLING IRON
 -NONCORROSIVE
 -SEVEN STRAND, 1/2"Ø, WITH AN ULTIMATE STRENGTH OF 270,000 PSI
 -ENCAPSULATED BY A RUSTPROOF SLEEVE THAT SLIPS OVER THE STEEL ROPE AT THE HOOKING POINT



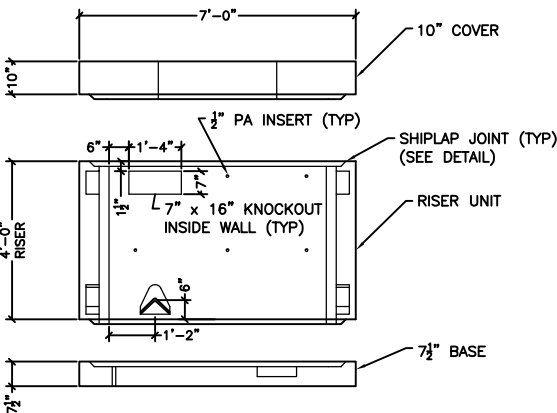
PLAN VIEW
(COVER REMOVED)

****WITH STOCK
 Ø36" OPENING**

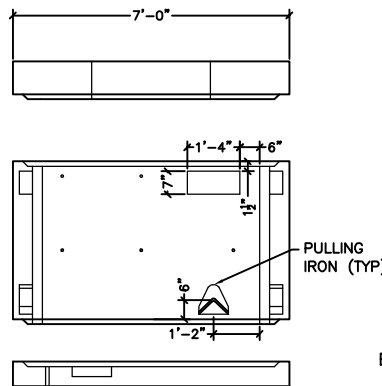
COMPONENT	WEIGHT (LBS)
COVER	5220
BASE	4631
48" RISER	7800
TOTAL	17651



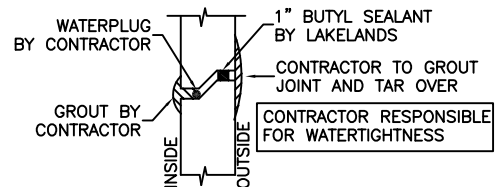
PENNSYLVANIA INSERTS
 -1/2" BOLT DIAMETER
 -STOPS CORROSION
 -2 1/2" BOLT EMBODMENT DEPTH
 -WORK LOAD STRENGTH OF 1,260 LBS.



ELEVATION VIEW
(SECTION A-A)



SIDE ELEVATION VIEW
(SECTION B-B)



CONTRACTOR RESPONSIBLE FOR WATERTIGHTNESS