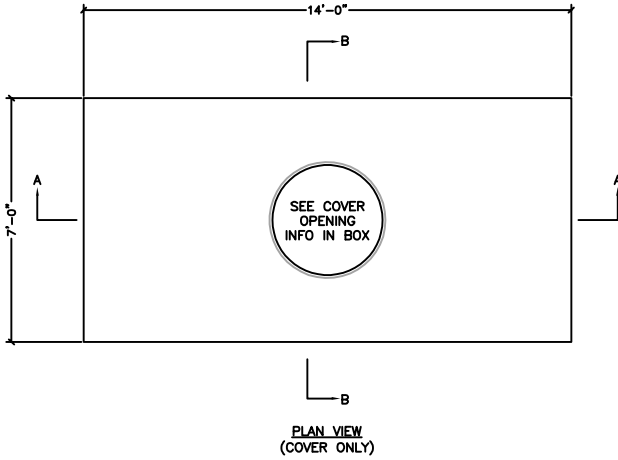


**DESIGN CRITERIA:**

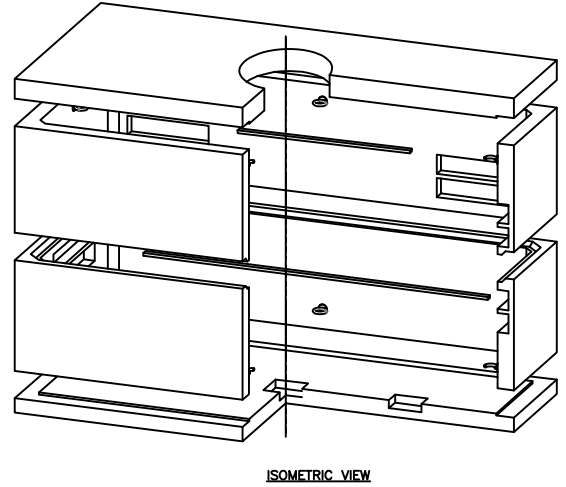
CONCRETE: 5000 PSI @ 28 DAYS  
 ENTRAINED AIR: 5% - 9%  
 DESIGN LOADING: AASHTO HS20-44 WITH  
 LESS THAN 2'-0" EARTH COVER  
 REINFORCEMENT: BAR-ASTM A615 GR60  
 WWR-ASTM A185/A497 GR65

**\*\*MAXIMUM DISTANCE FROM GRADE  
 TO TOP OF BASE SLAB = 13'-0".  
 EARTH COVER = 2'-0" MAXIMUM\*\***

MS#: MS3462



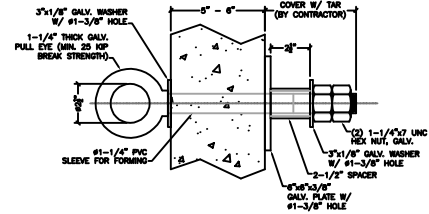
- #38" TAPERED TO #40" COVER OPENING
  - 38" SQ TAPERED TO 44" SQ COVER OPENING
  - OTHER
- \*\*COVER OPENING SIZES ARE STANDARD SIZES AND CENTERED IN THE PRECAST COVER. CUSTOM SIZES ARE AVAILABLE AT THE CUSTOMERS REQUEST. LOCATION CAN VARY.**



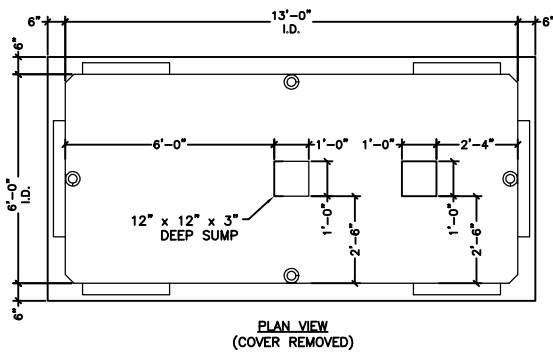
ISOMETRIC VIEW

**SPECIFICATIONS:**

1. KNOCKOUTS SHOWN ARE STANDARD PER NATIONAL GRID SPECIFICATIONS.
2. PULLING EYE, KNOCKOUT, AND UNISTRUT LOCATION MAY BE ALTERED TO SATISFY THE CUSTOMERS NEED.
3. CAST IRON FRAME AND GRATES AVAILABLE FOR PURCHASE.



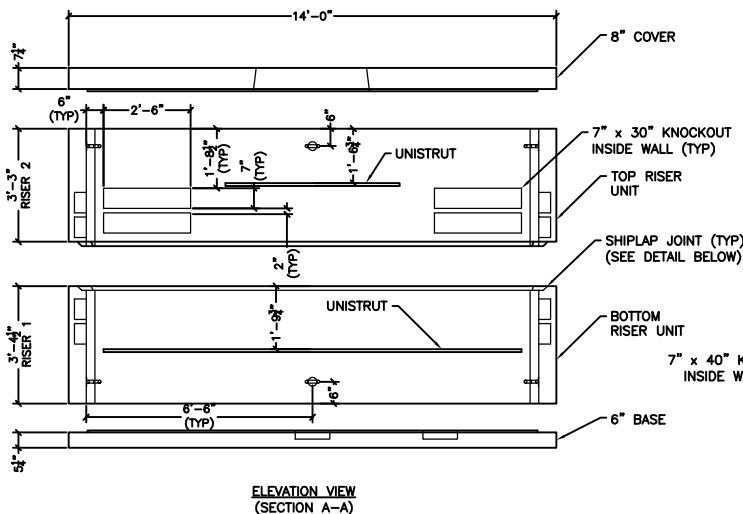
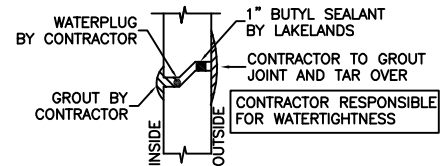
(TYPICAL PULLING EYE)



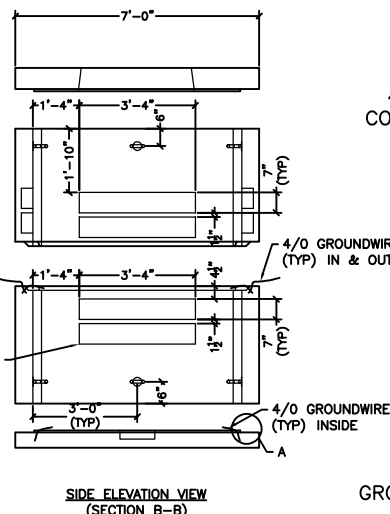
PLAN VIEW  
 (COVER REMOVED)

**\*\*WITH #38" TAPERED TO #40" OPENING**

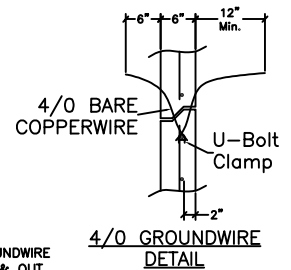
COMPONENT	WEIGHT (LBS)
COVER	9015
BASE	7224
40 1/2" RISER	10188
39" RISER	9811
TOTAL	36238



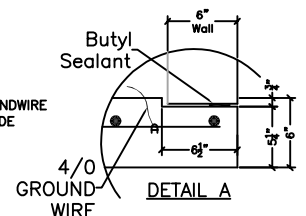
ELEVATION VIEW  
 (SECTION A-A)



SIDE ELEVATION VIEW  
 (SECTION B-B)



4/0 BARE COPPERWIRE  
 U-Bolt Clamp  
 4/0 GROUNDWIRE  
 DETAIL



Butyl Sealant  
 4/0 GROUNDWIRE  
 DETAIL A