

NATIONAL GRID MANHOLE

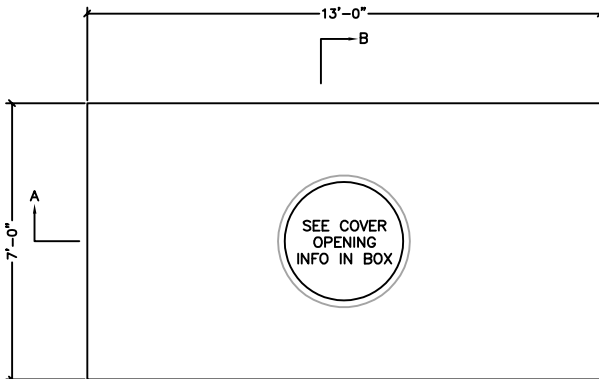
6'-0" x 12'-0" x 6'-6"

DESIGN CRITERIA:

CONCRETE: 5000 PSI @ 28 DAYS
 ENTRAINED AIR: 5% - 9%
 DESIGN LOADING: AASHTO HS20-44 WITH
 LESS THAN 2'-0" EARTH COVER
 REINFORCEMENT: BAR-ASTM A615 GR60
 WWR-ASTM A185/A497 GR65

****MAXIMUM DISTANCE FROM GRADE
 TO TOP OF BASE SLAB = 13'-0".
 EARTH COVER = 2'-0" MAXIMUM****

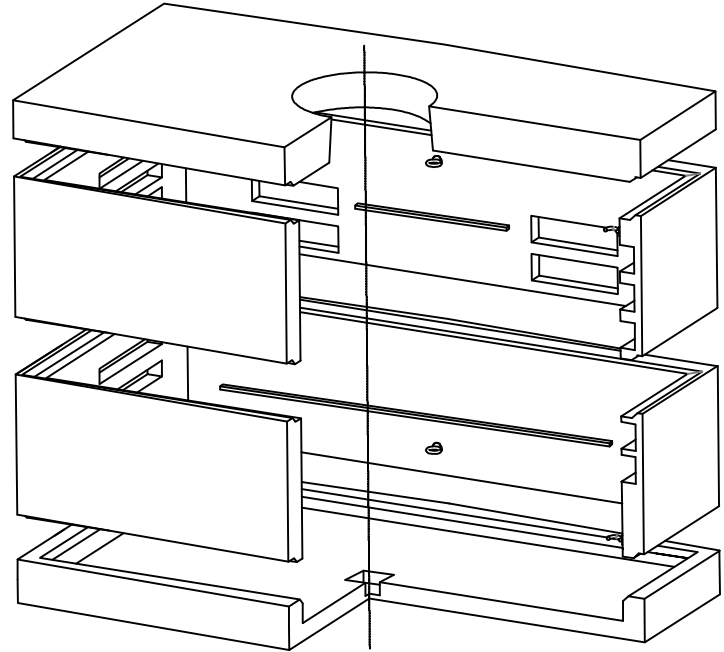
MS#: MS3468



PLAN VIEW
(COVER ONLY)

- Ø38" TAPERED TO Ø40" COVER OPENING
- OTHER

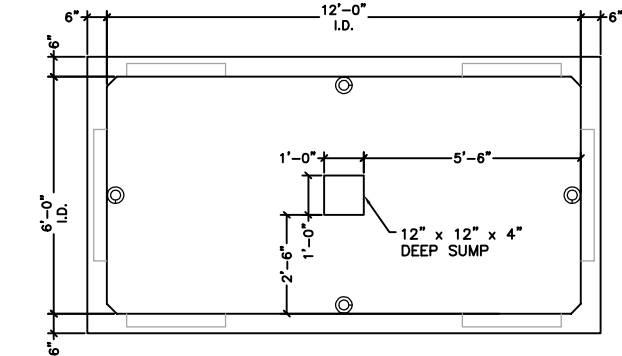
****COVER OPENING
 SIZES ARE STANDARD
 SIZES AND CENTERED
 IN THE PRECAST
 COVER. CUSTOM SIZES
 ARE AVAILABLE AT THE
 CUSTOMERS REQUEST.
 LOCATION CAN VARY.**



ISOMETRIC VIEW

SPECIFICATIONS:

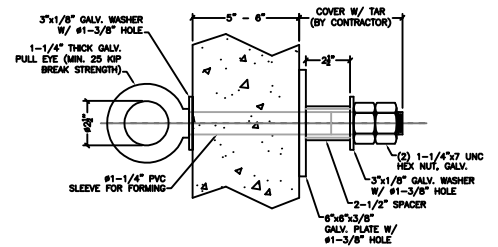
1. KNOCKOUTS SHOWN ARE STANDARD PER NATIONAL GRID SPECIFICATIONS.
2. PULLING EYE, KNOCKOUT, AND UNISTRUT LOCATION MAY BE ALTERED TO SATISFY THE CUSTOMERS NEED.
3. CAST IRON FRAME AND GRATES AVAILABLE FOR PURCHASE.



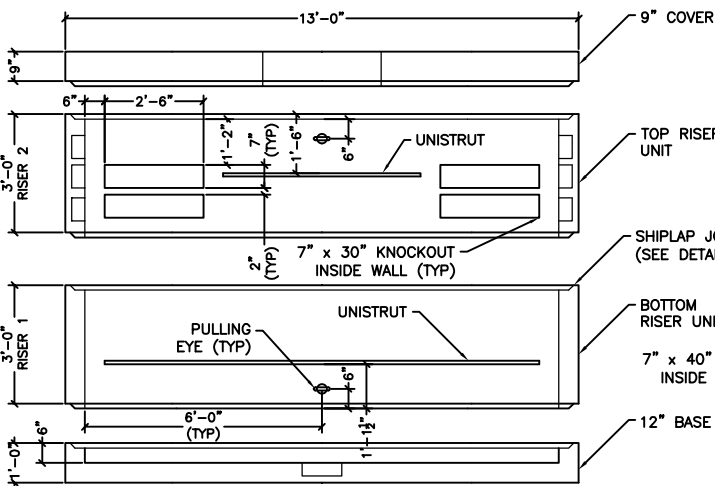
PLAN VIEW
(COVER REMOVED)

COMPONENT	WEIGHT (LBS)
COVER	9304
BASE	8259
(2) 36" RISER	8606
TOTAL	34775

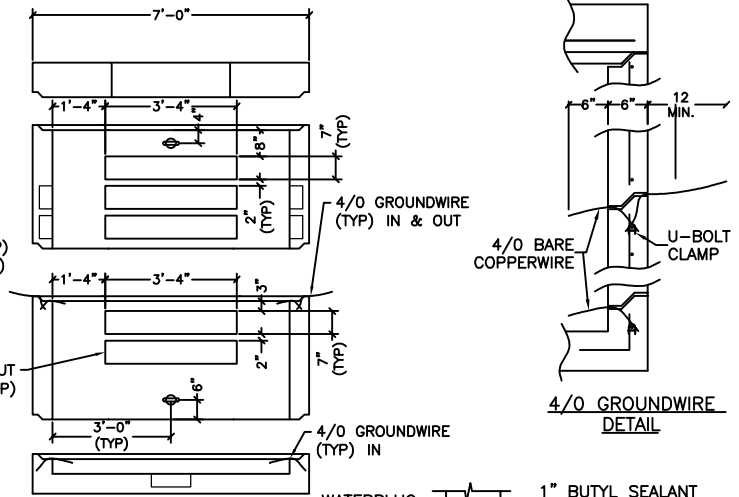
****WITH Ø38" TAPERED TO Ø40" OPENING**



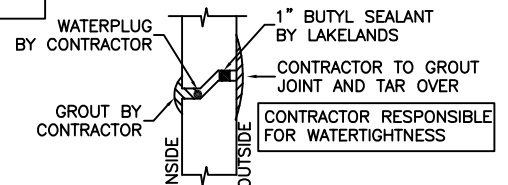
(TYPICAL PULLING EYE)



ELEVATION VIEW
(SECTION A-A)



SIDE ELEVATION VIEW
(SECTION B-B)



CONTRACTOR RESPONSIBLE FOR WATERTIGHTNESS