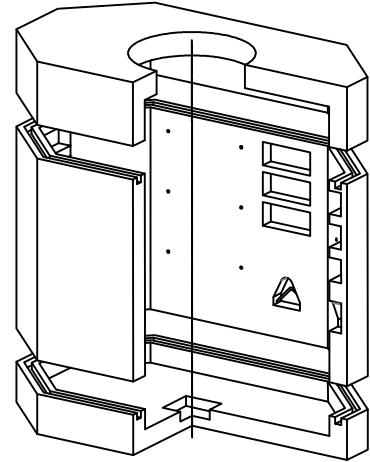


MANHOLE  
 4'-0" x 7'-9" x 6'-6"

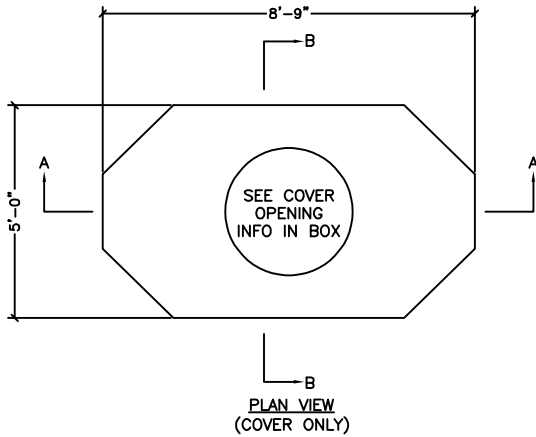
**DESIGN CRITERIA:**

CONCRETE: 5000 PSI @ 28 DAYS  
 ENTRAINED AIR: 5% - 9%  
 DESIGN LOADING: AASHTO HS20-44 WITH  
 LESS THAN 2'-0" EARTH COVER  
 REINFORCEMENT: BAR-ASTM A615 GR60  
 WWR-ASTM A185/A497 GR65

**\*\*MAXIMUM DISTANCE FROM GRADE TO TOP OF BASE SLAB = 18'-0". EARTH COVER = 2'-0" MAXIMUM\*\***



ISOMETRIC VIEW



PLAN VIEW  
(COVER ONLY)

Ø36" COVER OPENING

OTHER

**\*\*COVER OPENING SIZES ARE STANDARD SIZES AND CENTERED IN THE PRECAST COVER. CUSTOM SIZES ARE AVAILABLE AT THE CUSTOMERS REQUEST. LOCATION CAN VARY.**

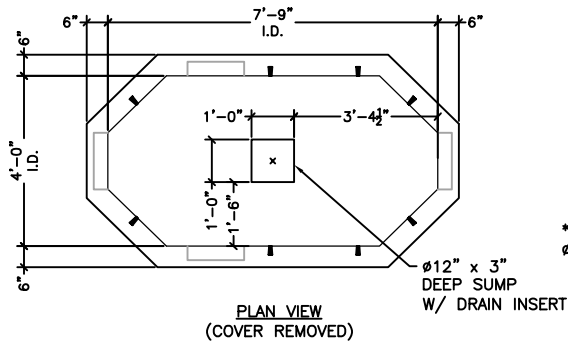
**SPECIFICATIONS:**

1. KNOCKOUTS SHOWN ARE STANDARD. VARIOUS KNOCKOUT TYPES ARE AVAILABLE, OPENINGS AS REQUIRED.
2. INSERT AND PULLING IRONS ARE STANDARD, CUSTOM QUANTITY AND LOCATION AS NEEDED
3. CAST IRON FRAME AND GRATES AVAILABLE FOR PURCHASE.



**BOWCO INSERT PULLING IRON**

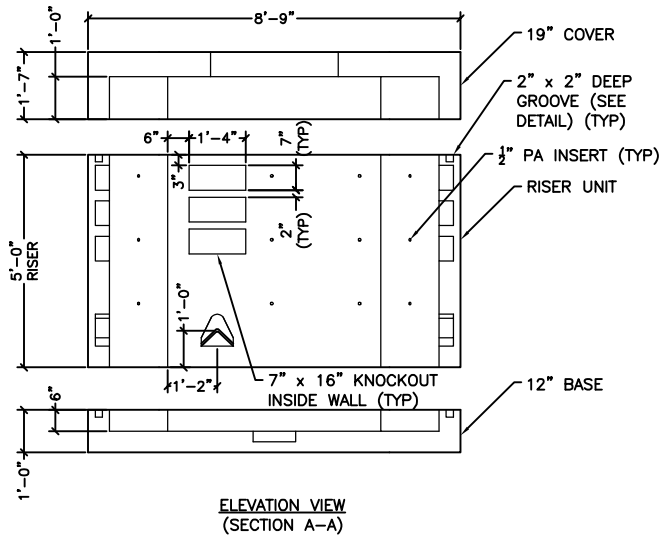
-NONCORROSIVE  
 -SEVEN STRAND, 1/2"Ø, WITH AN ULTIMATE STRENGTH OF 270,000 PSI  
 -ENCAPSULATED BY A RUSTPROOF SLEEVE THAT SLIPS OVER THE STEEL ROPE AT THE HOOKING POINT



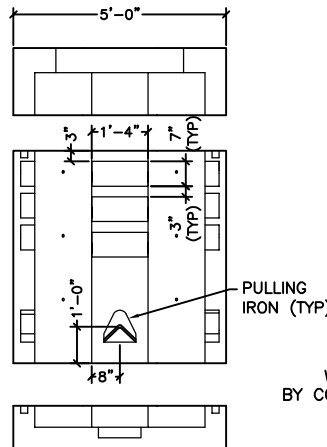
PLAN VIEW  
(COVER REMOVED)

**\*\*WITH STOCK Ø36" OPENING**

COMPONENT	WEIGHT (LBS)
COVER	4575
BASE	3828
60" RISER	8075
TOTAL	16478



ELEVATION VIEW  
(SECTION A-A)

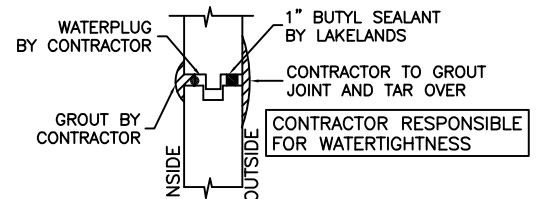


SIDE ELEVATION VIEW  
(SECTION B-B)



**PENNSYLVANIA INSERTS**

-1/2" BOLT DIAMETER  
 -STOPS CORROSION  
 -2 1/2" BOLT EMBENDMENT DEPTH  
 -WORK LOAD STRENGTH OF 1,260 LBS.



**CONTRACTOR RESPONSIBLE FOR WATERTIGHTNESS**