

10/7/2020

NATIONAL GRID MANHOLE 6'-0" x 12'-0" x 7'-0"

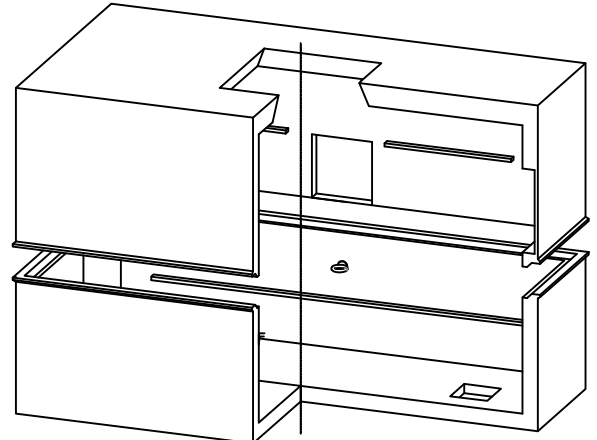
DESIGN CRITERIA:

CONCRETE: 5000 PSI @ 28 DAYS
 ENTRAINED AIR: 5% - 9%
 DESIGN LOADING: AASHTO HS20-44 WITH
 LESS THAN 2'-0" EARTH COVER
 REINFORCEMENT: BAR-ASTM A615 GR60
 WWR-ASTM A185/A497 GR65

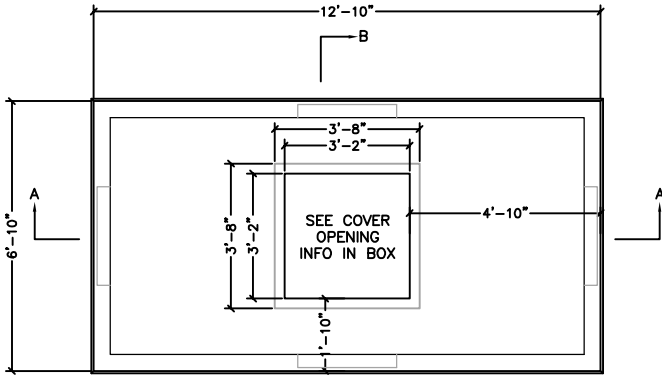
SPECIFICATIONS:

1. KNOCKOUTS SHOWN ARE STANDARD PER NATIONAL GRID SPECIFICATIONS.
2. PULLING EYE, KNOCKOUT, AND UNISTRUT LOCATION MAY BE ALTERED TO SATISFY THE CUSTOMERS NEED.
3. CAST IRON FRAME AND GRATES AVAILABLE FOR PURCHASE.

****MAXIMUM DISTANCE FROM GRADE TO TOP OF BASE SLAB = 13'-0". EARTH COVER = 2'-0" MAXIMUM****



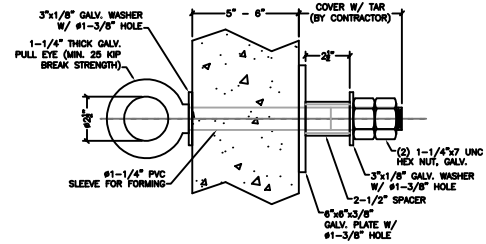
ISOMETRIC VIEW



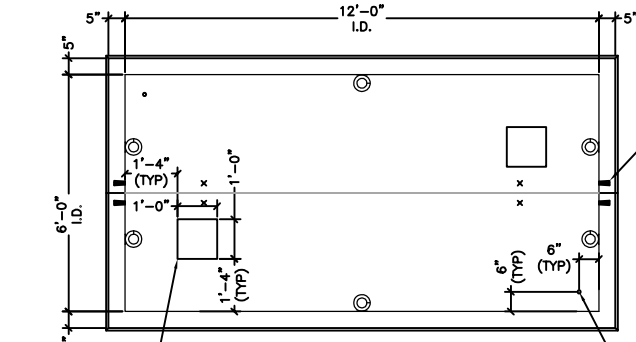
PLAN VIEW
 (COVER ONLY)

38" SQUARE TAPERED TO 44" SQUARE COVER OPENING
 OTHER

****COVER OPENING SIZES ARE STANDARD SIZES AND CENTERED IN THE PRECAST COVER. CUSTOM SIZES ARE AVAILABLE AT THE CUSTOMERS REQUEST. LOCATION CAN VARY.**



(TYPICAL PULLING EYE)



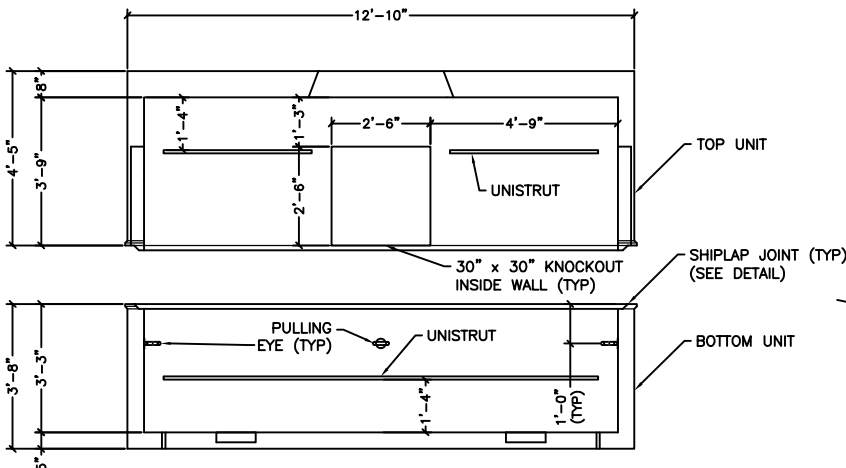
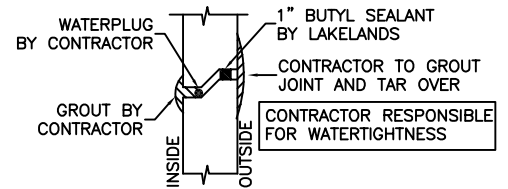
PLAN VIEW
 (COVER REMOVED)

12" x 12" x 3" DEEP SUMP (TYP)

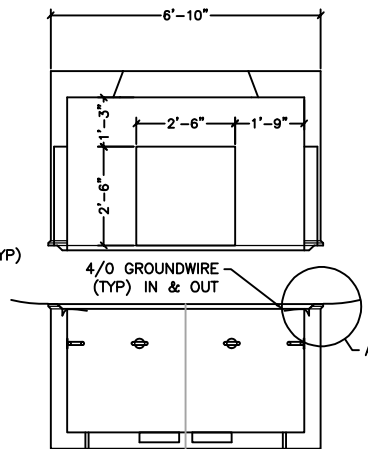
3/8" INSERT (TYP) FOR SPLIT BASE CONNECTION

****WITH 38" SQUARE TAPERED TO 44" SQUARE OPENING**

COMPONENT	WEIGHT (LBS)
COVER	17598
BASE	13132
TOTAL	30730



ELEVATION VIEW
 (SECTION A-A)



SIDE ELEVATION VIEW
 (SECTION B-B)

