

10/7/2020

## NATIONAL GRID MANHOLE 6'-0" x 12'-0" x 7'-0"

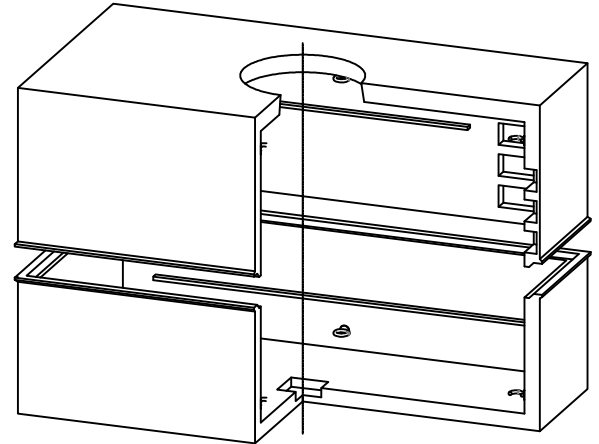
**DESIGN CRITERIA:**

CONCRETE: 5000 PSI @ 28 DAYS  
 ENTRAINED AIR: 5% - 9%  
 DESIGN LOADING: AASHTO HS20-44 WITH  
 LESS THAN 2'-0" EARTH COVER  
 REINFORCEMENT: BAR-ASTM A615 GR60  
 WWR-ASTM A185/A497 GR65

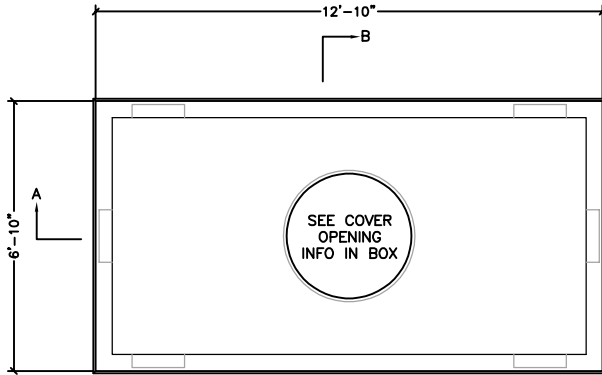
**SPECIFICATIONS:**

1. KNOCKOUTS SHOWN ARE STANDARD PER NATIONAL GRID SPECIFICATIONS.
2. PULLING EYE, KNOCKOUT, AND UNISTRUT LOCATION MAY BE ALTERED TO SATISFY THE CUSTOMERS NEED.
3. CAST IRON FRAME AND GRATES AVAILABLE FOR PURCHASE.

**\*\*MAXIMUM DISTANCE FROM GRADE TO TOP OF BASE SLAB = 13'-0". EARTH COVER = 2'-0" MAXIMUM\*\***

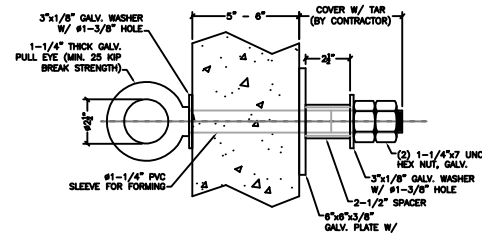


ISOMETRIC VIEW

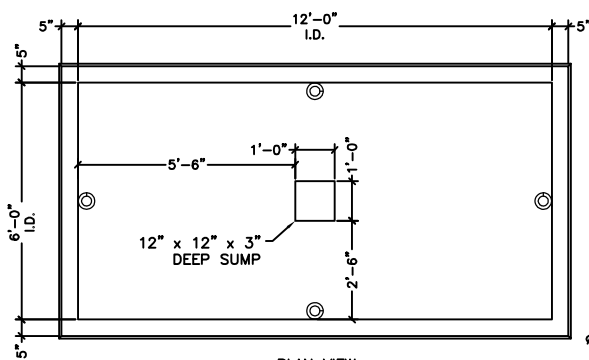


PLAN VIEW  
(COVER ONLY)

- #38" TAPERED TO #40" COVER OPENING
  - 38" SQUARE TAPERED TO 44" SQUARE COVER OPENING
  - OTHER
- \*\*COVER OPENING SIZES ARE STANDARD SIZES AND CENTERED IN THE PRECAST COVER. CUSTOM SIZES ARE AVAILABLE AT THE CUSTOMERS REQUEST. LOCATION CAN VARY.**



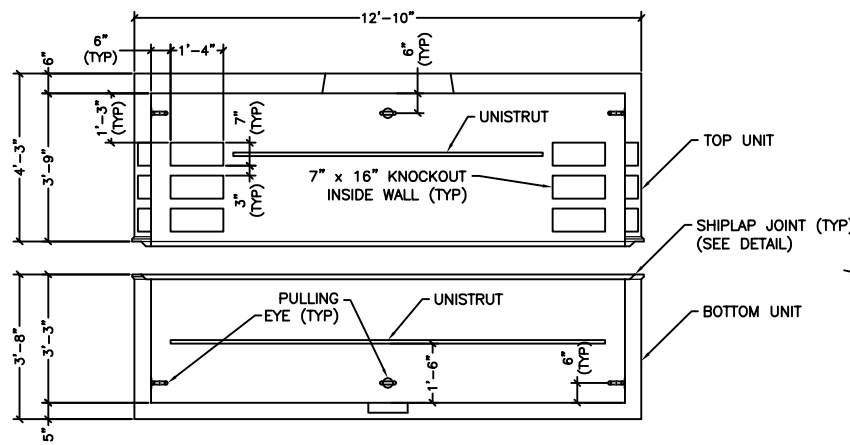
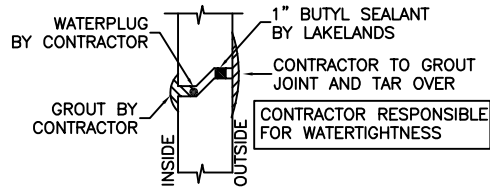
(TYPICAL PULLING EYE)



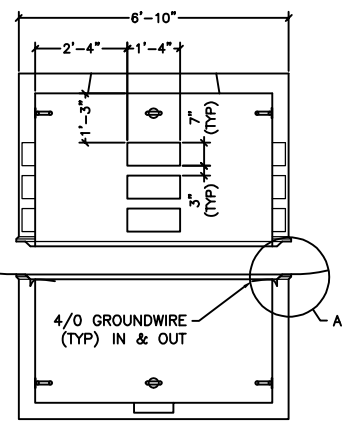
PLAN VIEW  
(COVER REMOVED)

COMPONENT	WEIGHT (LBS)
COVER	15363
BASE	13140
TOTAL	28503

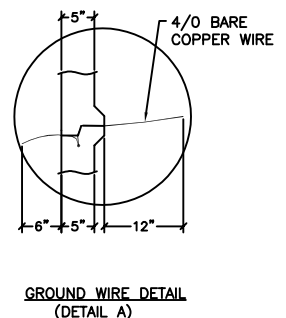
**\*\*WITH #38" TAPERED TO #40" OPENING**



ELEVATION VIEW  
(SECTION A-A)



SIDE ELEVATION VIEW  
(SECTION B-B)



GROUND WIRE DETAIL  
(DETAIL A)