

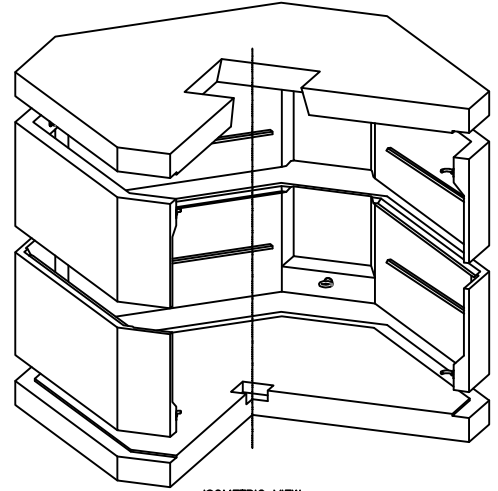
DESIGN CRITERIA:

CONCRETE: 5000 PSI @ 28 DAYS
 ENTRAINED AIR: 5% - 9%
 DESIGN LOADING: AASHTO HS20-44 WITH
 LESS THAN 2'-0" EARTH COVER
 REINFORCEMENT: BAR-ASTM A615 GR60
 WWR-ASTM A185/A497 GR65

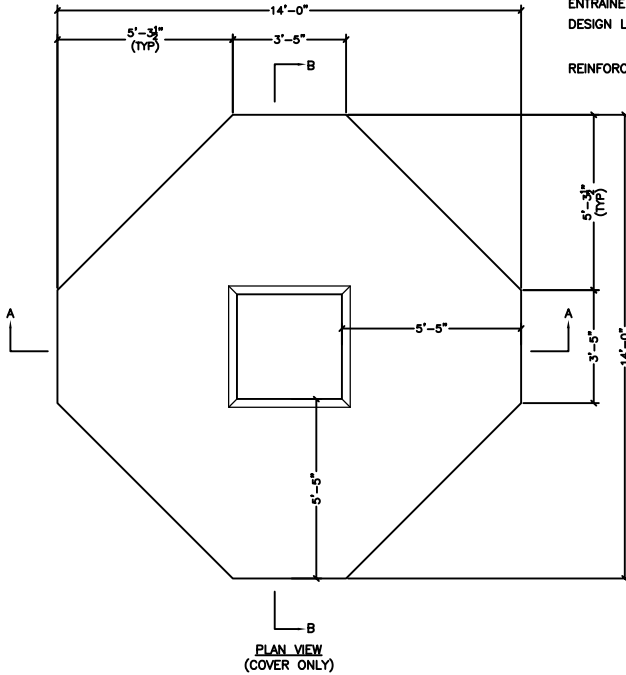
MS#: MS3465

#38" TAPERED TO #44" COVER OPENING
 OTHER

**COVER OPENING SIZES ARE STANDARD SIZES AND AS SHOWN IN THE PRECAST COVER PLAN VIEW. CUSTOM SIZES ARE AVAILABLE AT THE CUSTOMERS REQUEST. LOCATION CAN VARY.



ISOMETRIC VIEW



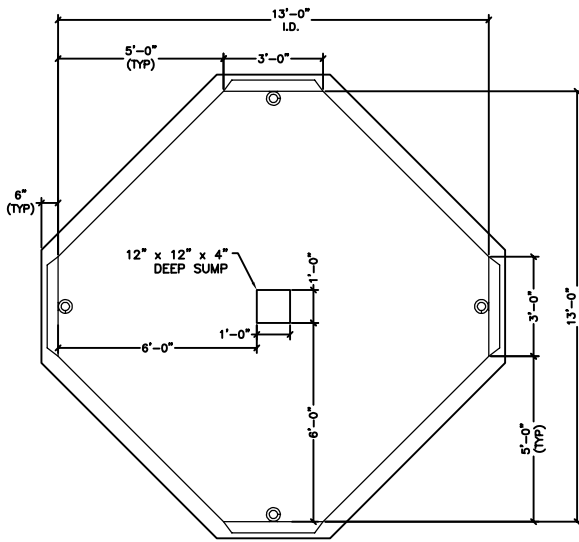
PLAN VIEW
(COVER ONLY)

COMPONENT	WEIGHT (LBS)
COVER	16241
BASE	17375
40" RISER	10409
39 1/2" RISER	10409
TOTAL	54434

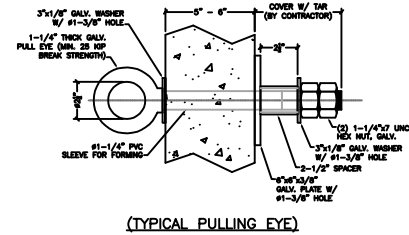
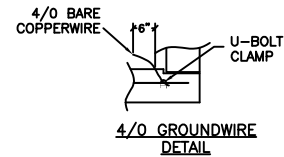
**WITH STOCK #38" TAPERED TO #44" OPENING

SPECIFICATIONS:

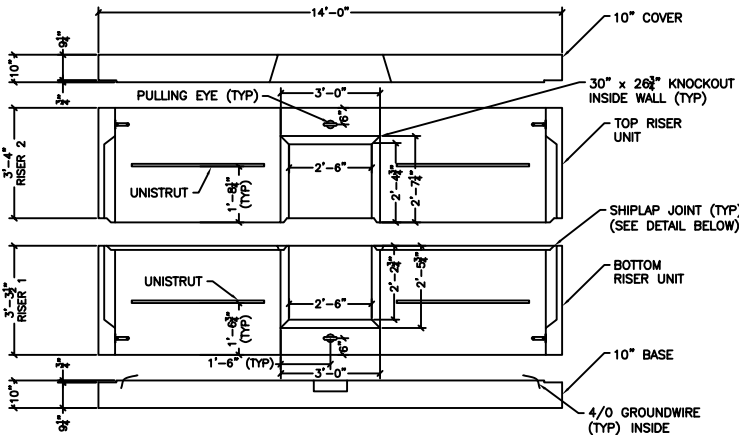
1. KNOCKOUTS SHOWN ARE STANDARD PER NATIONAL GRID SPECIFICATIONS.
2. PULLING EYE, KNOCKOUT, AND UNISTRUT LOCATION MAY BE ALTERED TO SATISFY THE CUSTOMERS NEED.
3. CAST IRON FRAME AND GRATES AVAILABLE FOR PURCHASE.



PLAN VIEW
(COVER REMOVED)



(TYPICAL PULLING EYE)



ELEVATION VIEW
(SECTION A-A, B-B
TYP. FOR ALL SIDES)

