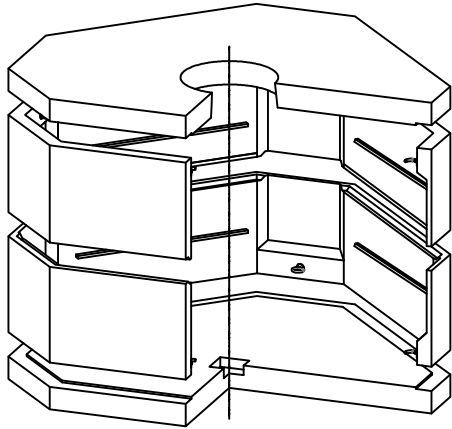


NATIONAL GRID  
 3-WAY MANHOLE UM23  
 10'-0" x 13'-0" x 6'-6"

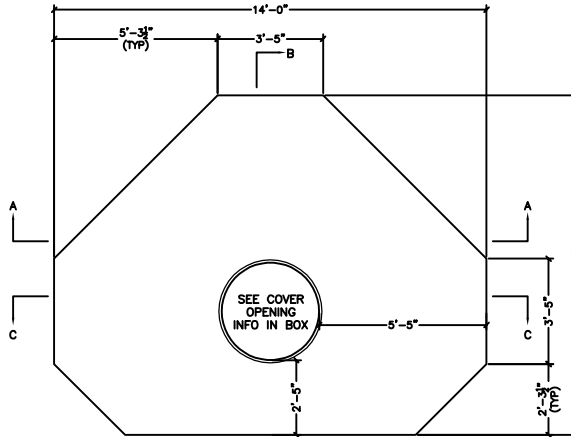


ISOMETRIC VIEW

MS#: MS3464

**DESIGN CRITERIA:**

CONCRETE: 5000 PSI @ 28 DAYS  
 ENTRAINED AIR: 5% - 9%  
 DESIGN LOADING: AASHTO HS20-44 WITH  
 LESS THAN 2'-0" EARTH COVER  
 REINFORCEMENT: BAR-ASTM A615 GR60  
 WWR-ASTM A185/A487 GR65



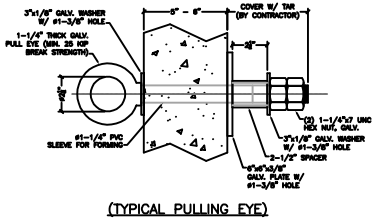
PLAN VIEW  
(COVER ONLY)

□ #38" TAPERED TO #40"  
 COVER OPENING  
 □ OTHER

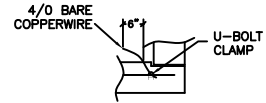
\*\*COVER OPENING SIZES ARE STANDARD SIZES AND AS SHOWN IN THE PRECAST COVER PLAN VIEW. CUSTOM SIZES ARE AVAILABLE AT THE CUSTOMERS REQUEST. LOCATION CAN VARY.

**SPECIFICATIONS:**

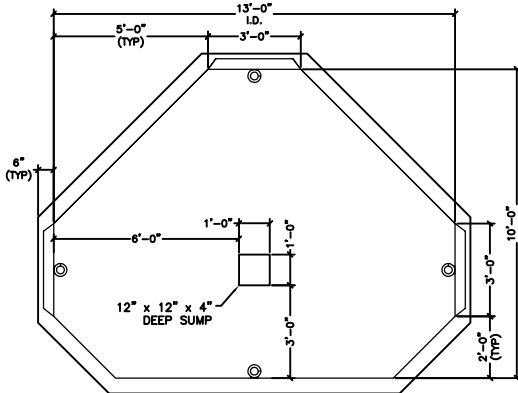
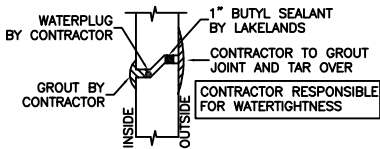
1. KNOCKOUTS SHOWN ARE STANDARD PER NATIONAL GRID SPECIFICATIONS.
2. PULLING EYE, KNOCKOUT, AND UNISTRUT LOCATION MAY BE ALTERED TO SATISFY THE CUSTOMERS NEED.
3. CAST IRON FRAME AND GRATES AVAILABLE FOR PURCHASE.



(TYPICAL PULLING EYE)



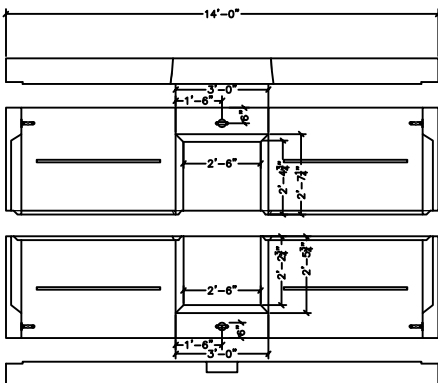
4/0 GROUNDWIRE  
 DETAIL



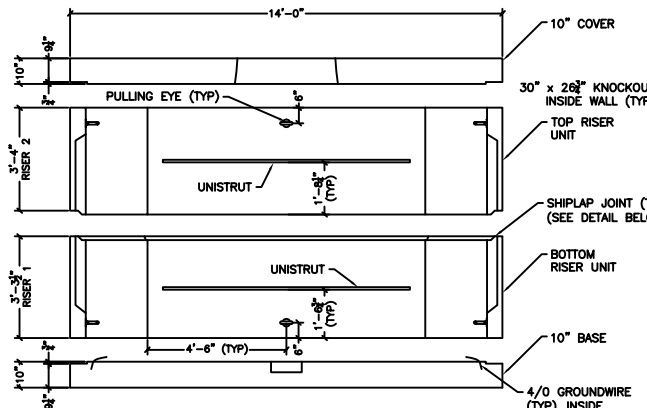
PLAN VIEW  
(COVER REMOVED)

\*\*WITH STOCK #38" TAPERED TO #40" OPENING

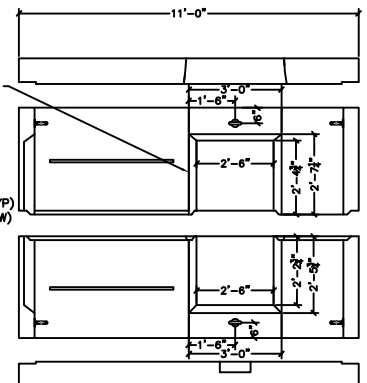
COMPONENT	WEIGHT (LBS)
COVER	14094
BASE	15147
40" RISER	9801
38 1/2" RISER	9801
TOTAL	48843



SIDE ELEVATION VIEW  
(SECTION A-A)



ELEVATION VIEW  
(SECTION C-C)



SIDE ELEVATION VIEW  
(SECTION B-B)