

AGRICULTURAL
 BUNKER SILO
 4'-0" x 5'-1" x 8'-6"

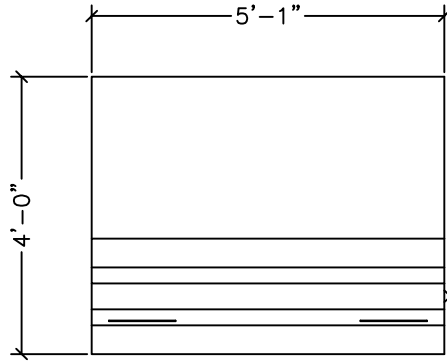
DESIGN CRITERIA:

CONCRETE: 5000 PSI @ 28 DAYS

ENTRAINED AIR: 5% - 9%

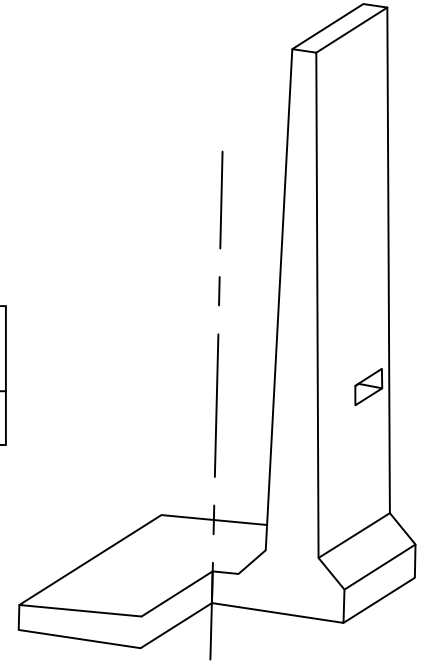
REINFORCEMENT: BAR-ASTM A615 GR60

WWR-ASTM A185/A497 GR65

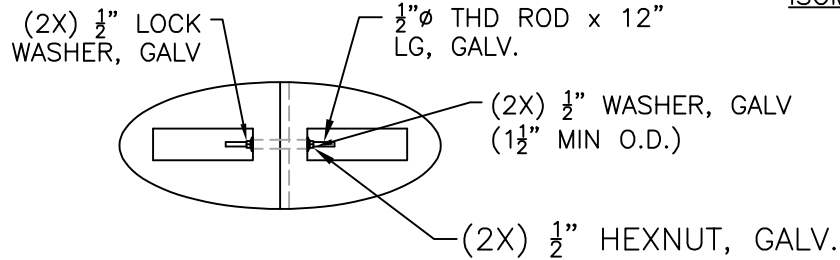


PLAN VIEW

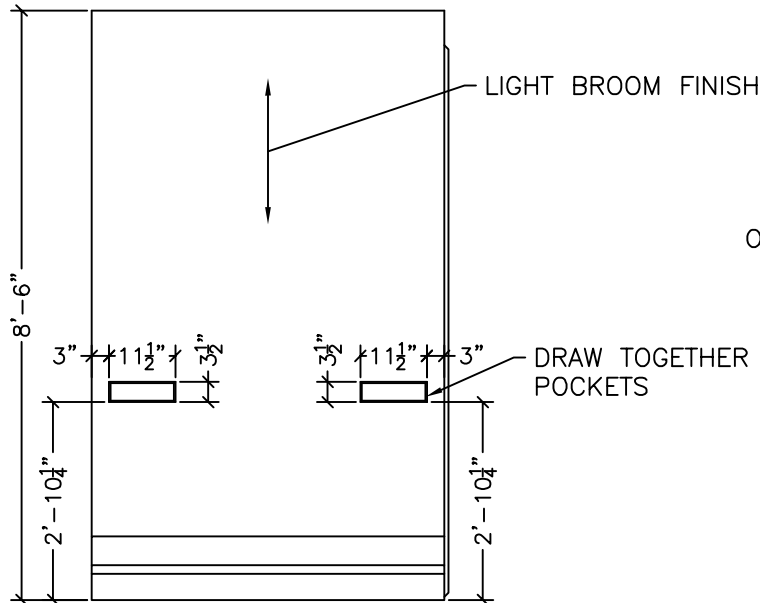
COMPONENT	WEIGHT (LBS)
SILO	5305



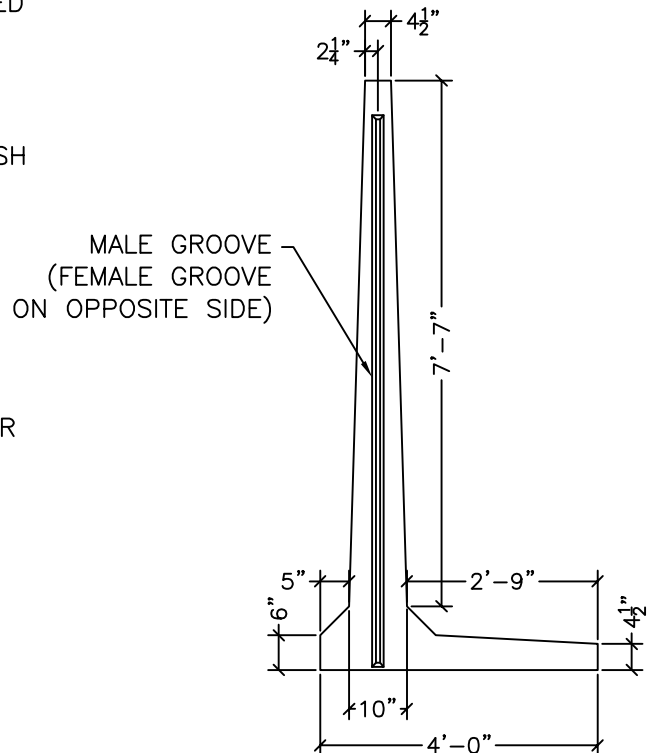
ISOMETRIC VIEW



CONNECTION DETAIL
 (HARDWARE BY OTHERS
 UNLESS NOTED
 OTHERWISE)



ELEVATION VIEW



SIDE VIEW