



7520 EAST MAIN STREET, LIMA NY 14485
 PH: 585-624-1990 - FAX: 585-624-2102
 WEB: WWW.LAKELANDSCONCRETE.COM
 E-MAIL: SALES@LAKELANDSCONCRETE.COM

DATE: 1/5/2021

DWG: AGJB-12

AGRICULTURAL
 J-BUNK
 3'-8" x 12'-0"

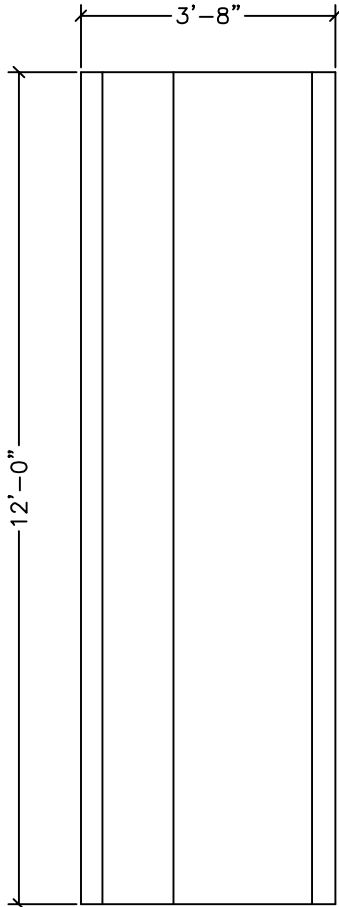
DESIGN CRITERIA:

CONCRETE: 5000 PSI @ 28 DAYS

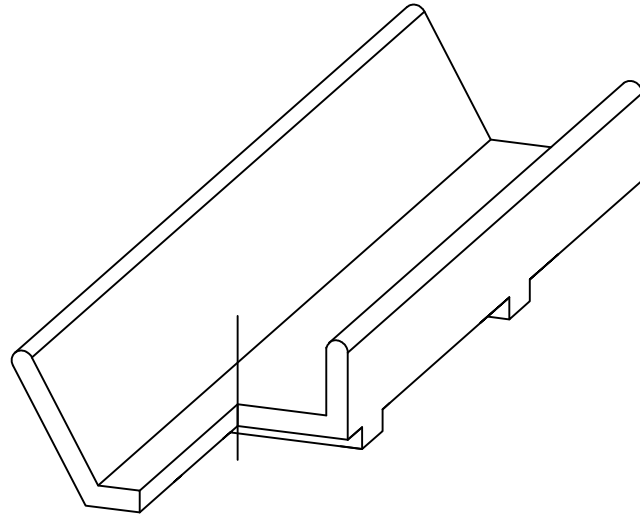
ENTRAINED AIR: 5% - 9%

REINFORCEMENT: BAR-ASTM A615 GR60

WWR-ASTM A185/A497 GR65

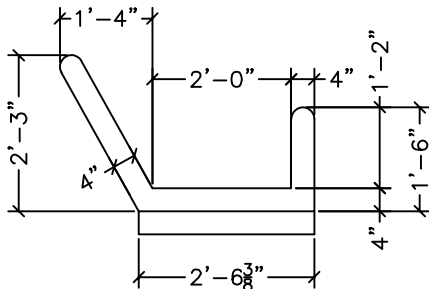


PLAN VIEW

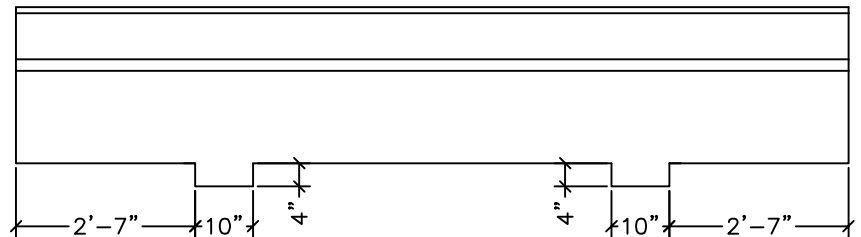


ISOMETRIC VIEW

COMPONENT	WEIGHT (LBS)
J-BUNK	3676



ELEVATION VIEW



SIDE VIEW