

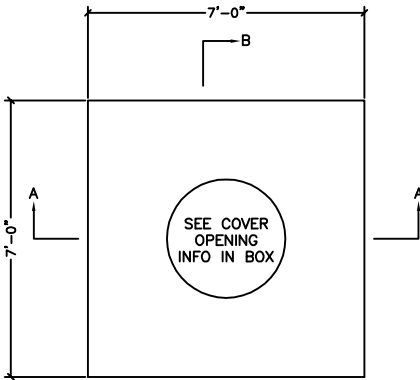
## MANHOLE

6'-0" x 6'-0" x 7'-0"

**DESIGN CRITERIA:**

CONCRETE: 5000 PSI @ 28 DAYS  
 ENTRAINED AIR: 5% - 9%  
 DESIGN LOADING: AASHTO HS20-44 WITH  
 LESS THAN 2'-0" EARTH COVER  
 REINFORCEMENT: BAR-ASTM A615 GR60  
 WWR-ASTM A185/A497 GR65

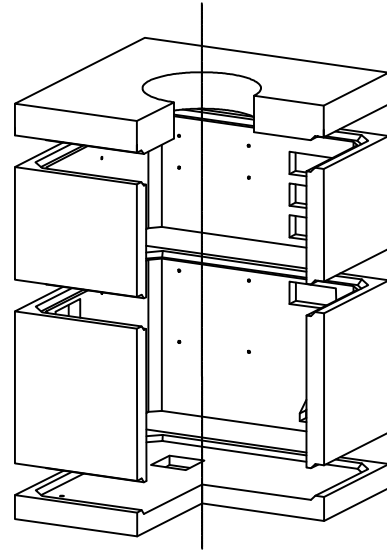
**\*\*MAXIMUM DISTANCE FROM GRADE  
 TO TOP OF BASE SLAB = 14'-6".  
 EARTH COVER = 2'-0" MAXIMUM\*\***



**PLAN VIEW  
 (COVER ONLY)**

Ø36" COVER OPENING  
 Ø48" COVER OPENING  
 OTHER

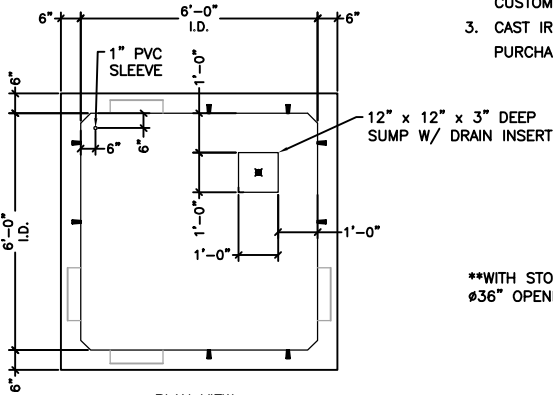
**\*\*COVER OPENING SIZES ARE STANDARD SIZES AND CENTERED IN THE PRECAST COVER. CUSTOM SIZES ARE AVAILABLE AT THE CUSTOMERS REQUEST. LOCATION CAN VARY.**



**ISOMETRIC VIEW**

**SPECIFICATIONS:**

1. KNOCKOUTS SHOWN ARE STANDARD. VARIOUS KNOCKOUT TYPES ARE AVAILABLE, OPENINGS AS REQUIRED.
2. INSERT AND PULLING IRONS ARE STANDARD, CUSTOM QUANTITY AND LOCATION AS NEEDED
3. CAST IRON FRAME AND GRATES AVAILABLE FOR PURCHASE.



**PLAN VIEW  
 (COVER REMOVED)**

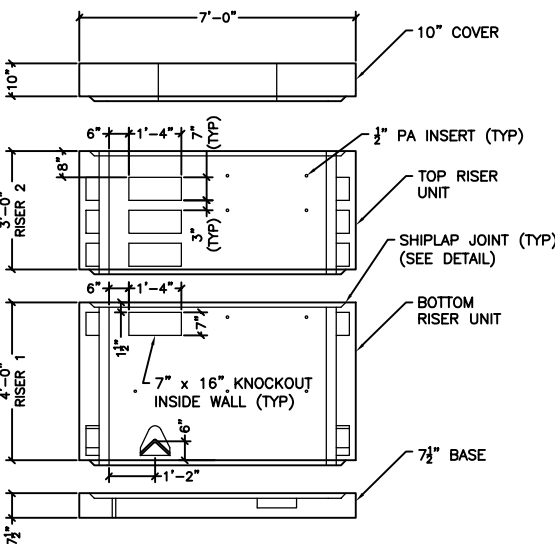
COMPONENT	WEIGHT (LBS)
COVER	5220
BASE	4631
36" RISER	5950
48" RISER	7740
TOTAL	23541

**\*\*WITH STOCK  
 Ø36" OPENING**

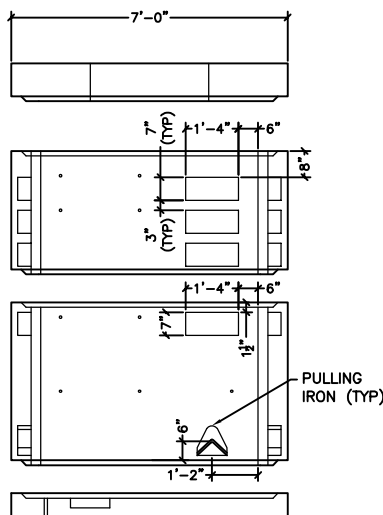


**BOWCO INSERT PULLING IRON**

-NONCORROSIVE  
 -SEVEN STRAND, 1/2"Ø, WITH AN ULTIMATE STRENGTH OF 270,000 PSI  
 -ENCAPSULATED BY A RUSTPROOF SLEEVE THAT SLIPS OVER THE STEEL ROPE AT THE HOOKING POINT



**ELEVATION VIEW  
 (SECTION A-A)**



**SIDE ELEVATION VIEW  
 (SECTION B-B)**



**PENNSYLVANIA INSERTS**

-1/2" BOLT DIAMETER  
 -STOPS CORROSION  
 -2 1/2" BOLT EMBENDMENT DEPTH  
 -WORK LOAD STRENGTH OF 1,260 LBS.

