



7520 EAST MAIN STREET, LIMA NY 14485
 PH: 585-624-1990 - FAX: 585-624-2102
 WEB: WWW.LAKELANDSCONCRETE.COM
 E-MAIL: SALES@LAKELANDSCONCRETE.COM

DATE: 10/16/2020 DWG: CB363654

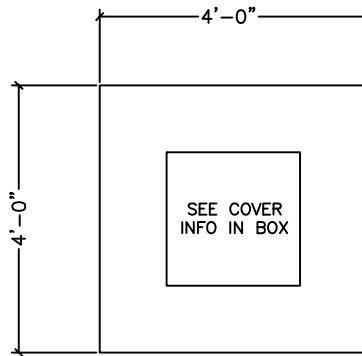
CATCH BASIN
 3'-0" x 3'-0" x 4'-6"

DESIGN CRITERIA:

CONCRETE: 5000 PSI @ 28 DAYS
 ENTRAINED AIR: 5% - 9%
 DESIGN LOADING: AASHTO HS20-44 WITH LESS THAN
 2'-0" EARTH COVER
 REINFORCEMENT: BAR-ASTM A615 GR60
 WWR-ASTM A185

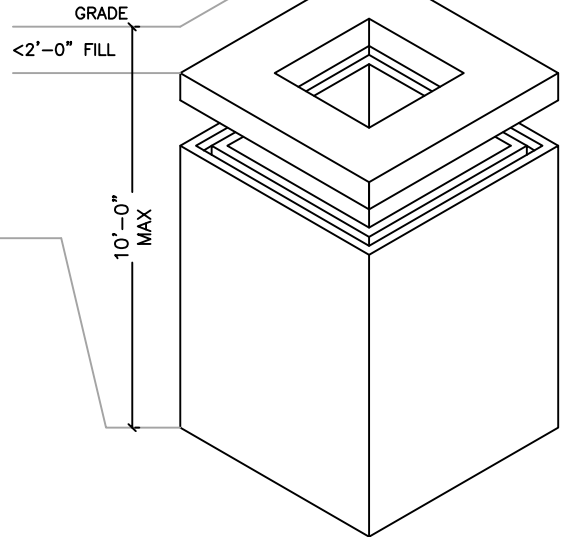
SPECIFICATIONS:

1. CUSTOM KNOCKOUTS OR OPENINGS ARE AVAILABLE UPON REQUEST
2. FIELD/FIELD ADJUSTMENT SIZED PER CUSTOMERS REQUEST
3. BITUMASTIC COATING AVAILABLE IF REQUIRED
4. BOOTS/LINK SEALS PROVIDED IF REQUIRED (LAKELANDS MUST BE NOTIFIED)
5. SUMPS AS NEEDED BY CUSTOMERS REQUEST
6. CUSTOMER TO GROUT ANY KEYWAYS AS REQUIRED
7. CUSTOMER IS RESPONSIBLE OF THE FRAME INSTALLATION IN FIELD (IF REQUIRED)

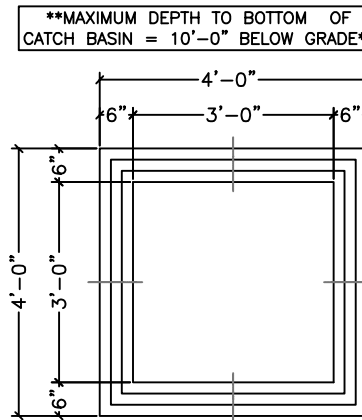


PLAN VIEW
 OPTIONAL COVER ONLY

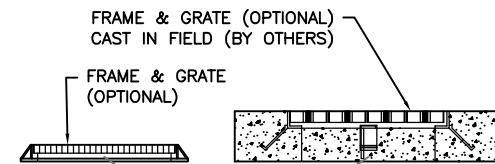
COVER
 OPENING SIZE: _____
 NOT NEEDED



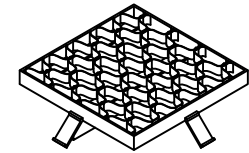
ISOMETRIC VIEW



PLAN VIEW
 OPTIONAL COVER REMOVED

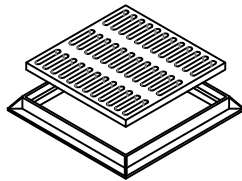


FRAME & GRATE (OPTIONAL)



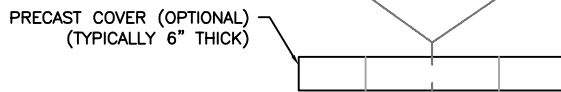
CAST-IN COLLAR FRAME AND GRATE

CAST-IN FRAME & GRATE
 MODEL NO: _____
 NOT NEEDED

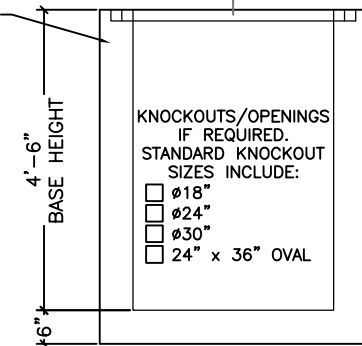


FRAME & GRATE

FRAME & GRATE
 MODEL NO: _____
 NOT NEEDED



2" DEEP x 2" WIDE
 CONSTRUCTION JOINTS
 TYPICAL ALL WALLS

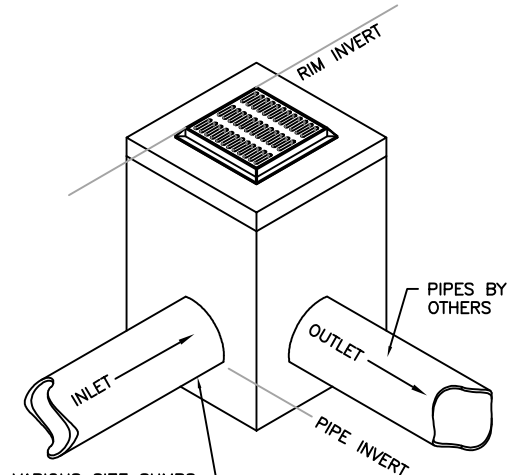


ELEVATION VIEW

- KNOCKOUTS/OPENINGS
 IF REQUIRED.
 STANDARD KNOCKOUT
 SIZES INCLUDE:
- Ø18"
 - Ø24"
 - Ø30"
 - 24" x 36" OVAL

BITUMASTIC COATING

EXTERIOR
 INTERIOR
 EXTERIOR AND INTERIOR
 NOT NEEDED



IN-FIELD VIEW

COMPONENT	SIZE	WEIGHT (LBS)
OPTIONAL COVER	STANDARD 24"x24" OPENING	900
CATCH BASIN	54"	5925

VARIOUS SIZE SUMPS
 AS REQUIRED