



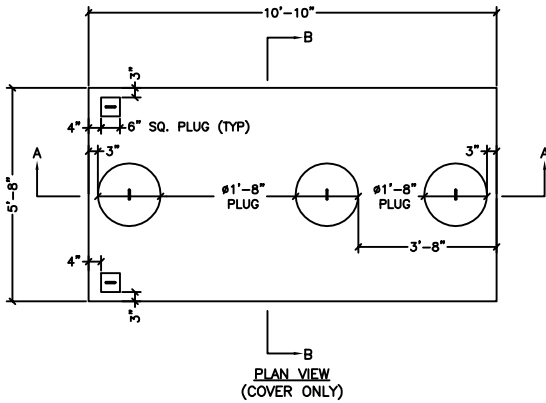
7520 EAST MAIN STREET, LIMA NY 14485  
 PH: 585-624-1990 - FAX: 585-624-2102  
 WEB: WWW.LAKELANDSCONCRETE.COM  
 E-MAIL: SALES@LAKELANDSCONCRETE.COM

DATE: 11/3/2020 DWG: ST1500MI

SEPTIC TANK  
 1500 GALLON  
 MULTI-INLET

DESIGN CRITERIA:

- CONCRETE: 5000 PSI @ 28 DAYS
- ENTRAINED AIR: 5% - 9%
- DESIGN LOADING: 300 PSF
- REINFORCEMENT: BAR-ASTM A615 GR60
- WWR-ASTM A185/A497 GR65



**FILTER OPTIONS: \*\*UPGRADE\*\***  
 (SUBJECT TO A PRICE INCREASE)

**ZABEL FILTER A300**

**ZABEL FILTER A100**

**ZABEL SERIES A300**

- USES: INDUSTRIAL/COMMERCIAL
- NOTE: CAN BE USED FOR GREASE TRAPS
- FLOW RATE: 3000 GPD
- FILTERS UP TO 1/2"
- SERVICE: DEPENDS ON THE APPLICATION, EACH APPLICATION REQUIRES A DIFFERENT SCHEDULE. PLEASE CHECK WITH POLY-LOK FOR SERVICE SPECIFICATIONS.

**ZABEL SERIES A100**

- USES: RESIDENTIAL/COMMERCIAL
- FLOW RATE: 3000 GPD
- FILTERS UP TO 1/2"
- SERVICE: RESIDENTIAL - CLEAN THE FILTER WHEN THE TANK IS NORMALLY INSPECTED AND PUMPED.
- SERVICE COMMERCIAL - DEPENDS ON FLOW RATE AND THE CHARACTERISTICS OF THE SOLIDS IN THE WASTEWATER.

**ZABEL FILTER A1800**

**TUF-TITE SERIES EF-4**

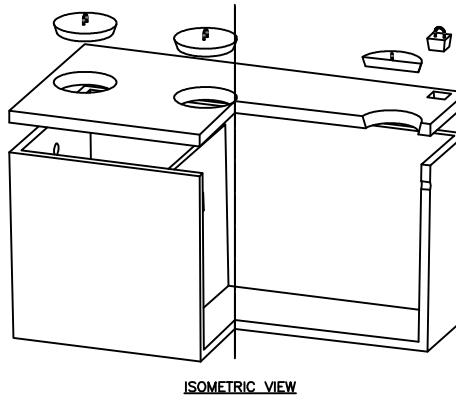
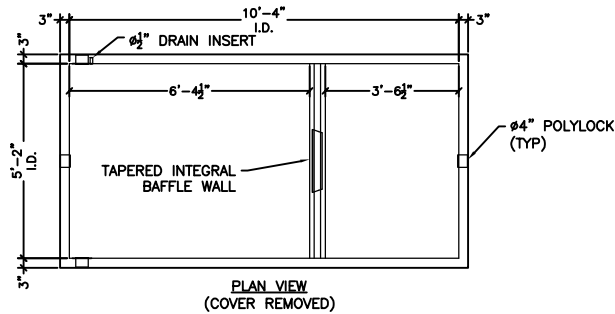
- USES: SINGLE FAMILY HOMES
- FLOW RATE: 800 GPD
- FILTERS UP TO 1/2"
- SERVICE: CLEAN THE FILTER WHEN THE TANK IS NORMALLY INSPECTED AND PUMPED.

**\*\*CLEANING IS EASY, REMOVE THE FILTER, RINSE WITH FRESH WATER OVER THE TANK OPENING AND REINSERT INTO HOUSING.**

PLEASE SELECT ANY ACCESSORIES THAT WILL BE SUPPLIED BY LAKELANDS

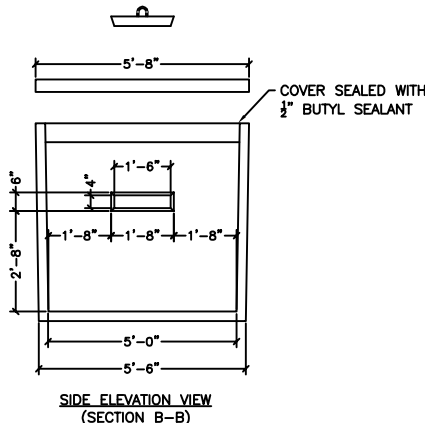
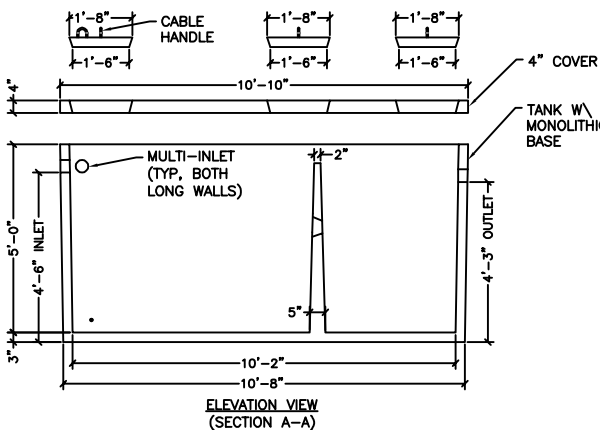
<input type="checkbox"/> ZABEL FILTER A1800	QUANTITY: _____
<input type="checkbox"/> ZABEL FILTER A300	QUANTITY: _____
<input type="checkbox"/> ZABEL FILTER A100	QUANTITY: _____
<input type="checkbox"/> TUF-TITE EF-4	QUANTITY: _____

FOR ADDITIONAL INFORMATION PLEASE CONTACT LAKELANDS OR VIEW  
 POLY-LOK: WWW.POLYLOK.COM  
 TUF-TITE: WWW.TUF-TITE.COM  
 INFILTRATORS: WWW.INFILTRATORSYSTEMS.COM

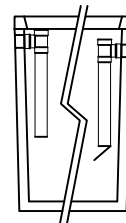


THIS DEVICE ELIMINATES THE USE OF GROUT BY CREATING ITS OWN WATERTIGHT SEAL. CONTRACTORS CAN EASILY TRIM THE SEAL TO THE DESIRED PIPE SIZE AND THEN INSERT THE PIPE. IT CAN BE USED FOR 2", 3", OR 4" PIPE.

COMPONENT	WEIGHT (LBS)
COVER	2714
TANK	8303
TOTAL	11017



**\*\*STANDARD\*\***



NOTE:  
 INLET - SANITARY TEE  
 OUTLET - SANITARY TEE W/ GAS FLAP  
 SUPPLIED BY LAKELANDS  
 INSTALLED BY CONTRACTOR