



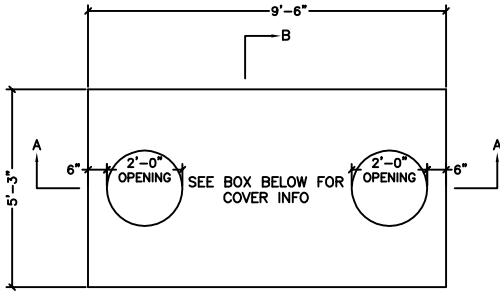
7520 EAST MAIN STREET, LIMA NY 14485  
 PH: 585-624-1990 - FAX: 585-624-2102  
 WEB: WWW.LAKELANDSCONCRETE.COM  
 E-MAIL: SALES@LAKELANDSCONCRETE.COM

DATE: 11/3/2020 DWG: ST1250HD

SEPTIC TANK  
 1250 GALLON  
 HEAVY DUTY

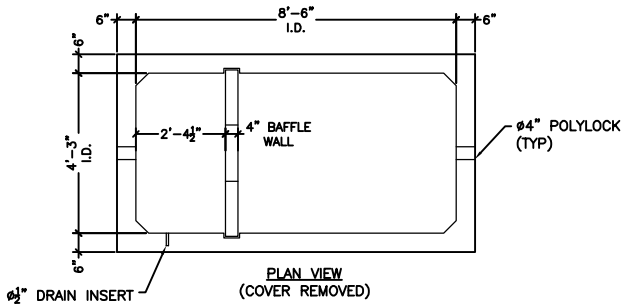
DESIGN CRITERIA:

- CONCRETE: 5000 PSI @ 28 DAYS
- ENTRAINED AIR: 5% - 9%
- DESIGN LOADING: 300 PSF
- REINFORCEMENT: BAR-ASTM A615 GR60
- WWR-ASTM A185/A497 GR65

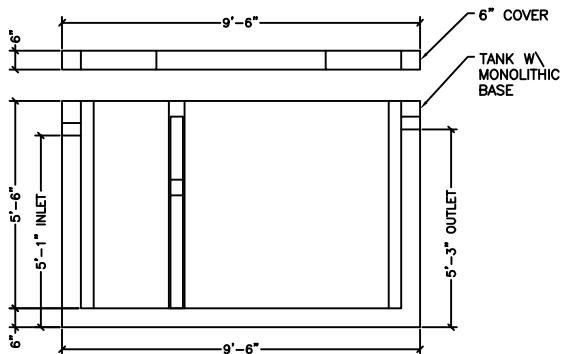


PLAN VIEW  
(COVER ONLY)

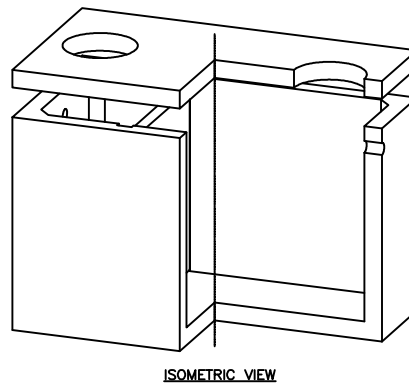
- (2)  $\phi$ 24" COVER OPENING
  - (2)  $\phi$ 20" PLUGS
  - OTHER
- \*\*COVER OPENING SIZES ARE STANDARD SIZES. CUSTOM SIZES ARE AVAILABLE AT THE CUSTOMERS REQUEST. LOCATION CAN VARY. CAST IRON FRAME AND GRATES ARE AVAILABLE FOR PURCHASE.



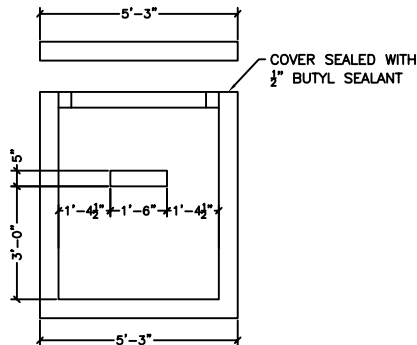
PLAN VIEW  
(COVER REMOVED)



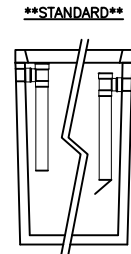
ELEVATION VIEW  
(SECTION A-A)



ISOMETRIC VIEW

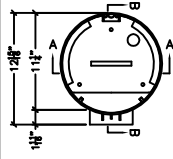


SIDE ELEVATION VIEW  
(SECTION B-B)

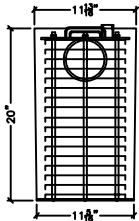


NOTE:  
 INLET - SANITARY TEE  
 OUTLET - SANITARY TEE W/ GAS FLAP  
 SUPPLIED BY LAKELANDS  
 INSTALLED BY CONTRACTOR

FILTER OPTIONS: **\*\*UPGRADE\*\***  
 (SUBJECT TO A PRICE INCREASE)



ZABEL FILTER A300

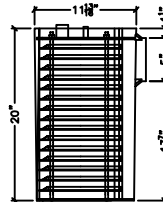


ZABEL SERIES A1800

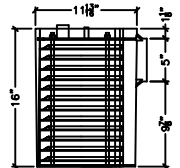
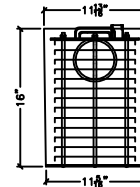
- USES: SINGLE FAMILY HOMES
- FLOW RATE: 800 GPD
- FILTERS UP TO  $\frac{1}{8}$ "
- SERVICE: CLEAN THE FILTER WHEN THE TANK IS NORMALLY INSPECTED AND PUMPED.

TUF-TITE SERIES EF-4

- USES: SINGLE FAMILY HOMES
- FLOW RATE: 800 GPD
- FILTERS UP TO  $\frac{1}{8}$ "
- SERVICE: CLEAN THE FILTER WHEN THE TANK IS NORMALLY INSPECTED AND PUMPED.



ZABEL FILTER A100



ZABEL SERIES A100

- USES: RESIDENTIAL/COMMERCIAL
- FLOW RATE: 3000 GPD
- FILTERS UP TO  $\frac{1}{8}$ "
- SERVICE: RESIDENTIAL - CLEAN THE FILTER WHEN THE TANK IS NORMALLY INSPECTED AND PUMPED.
- SERVICE COMMERCIAL - DEPENDS ON FLOW RATE AND THE CHARACTERISTICS OF THE SOLIDS IN THE WASTEWATER.

\*\*CLEANING IS EASY, REMOVE THE FILTER, RINSE WITH FRESH WATER OVER THE TANK OPENING AND REINSERT INTO HOUSING.

PLEASE SELECT ANY ACCESSORIES THAT WILL BE SUPPLIED BY LAKELANDS

- ZABEL FILTER A1800 QUANTITY: \_\_\_\_\_
- ZABEL FILTER A300 QUANTITY: \_\_\_\_\_
- ZABEL FILTER A100 QUANTITY: \_\_\_\_\_
- TUF-TITE EF-4 QUANTITY: \_\_\_\_\_

FOR ADDITIONAL INFORMATION PLEASE CONTACT LAKELANDS OR VIEW  
 POLY-LOK: WWW.POLYLOK.COM  
 TUF-TITE: WWW.TUF-TITE.COM  
 INFILTRATORS: WWW.INFILTRATORSYSTEMS.COM



POLY-LOCK SEAL  
(CAST-IN)

THIS DEVICE ELIMINATES THE USE OF GROUT BY CREATING ITS OWN WATERTIGHT SEAL. CONTRACTORS CAN EASILY TRIM THE SEAL TO THE DESIRED PIPE SIZE AND THEN INSERT THE PIPE. IT CAN BE USED FOR 2", 3", OR 4" PIPE.

COMPONENT	WEIGHT (LBS)
COVER	3269
TANK	15083
BAFFLE	1080
TOTAL	19432