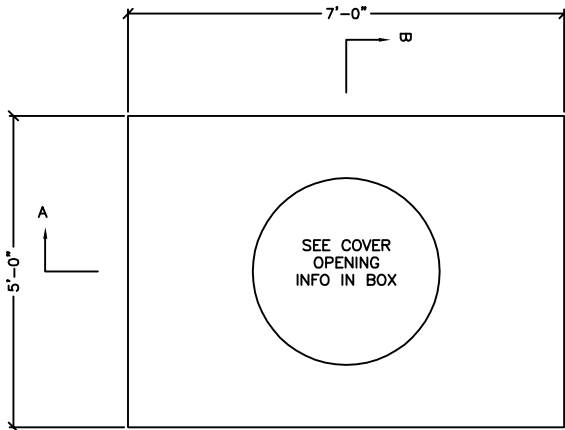


## PULL BOX

4'-0" x 6'-0" x 5'-0"

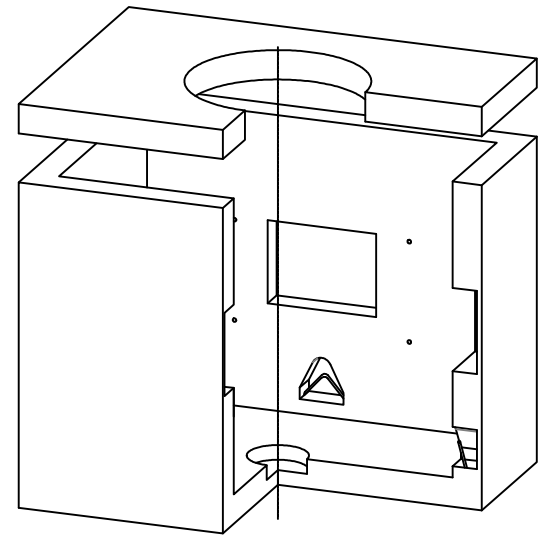
**DESIGN CRITERIA:**

CONCRETE: 5000 PSI @ 28 DAYS  
 ENTRAINED AIR: 5% - 9%  
 DESIGN LOADING: AASHTO HS20-44 WITH  
 LESS THAN 2'-0" EARTH COVER  
 REINFORCEMENT: BAR-ASTM A615 GR60  
 WWR-ASTM A185/A497 GR65



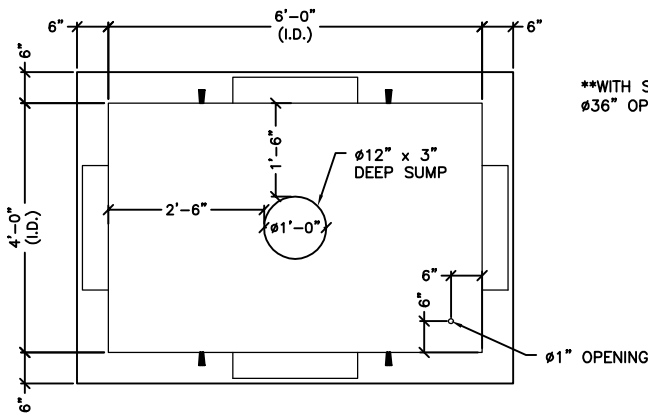
	Ø30" COVER OPENING
	Ø36" COVER OPENING
	OTHER

**\*\*COVER OPENING SIZES ARE STANDARD SIZES AND CENTERED IN THE PRECAST COVER. CUSTOM SIZES ARE AVAILABLE AT THE CUSTOMERS REQUEST. LOCATION CAN VARY.**



ISOMETRIC VIEW

PLAN VIEW  
(COVER ONLY)



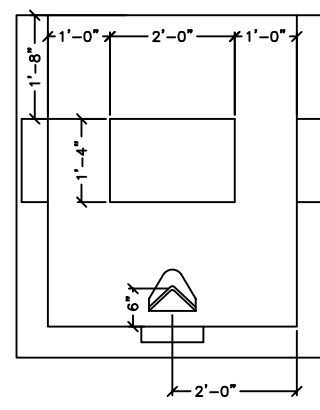
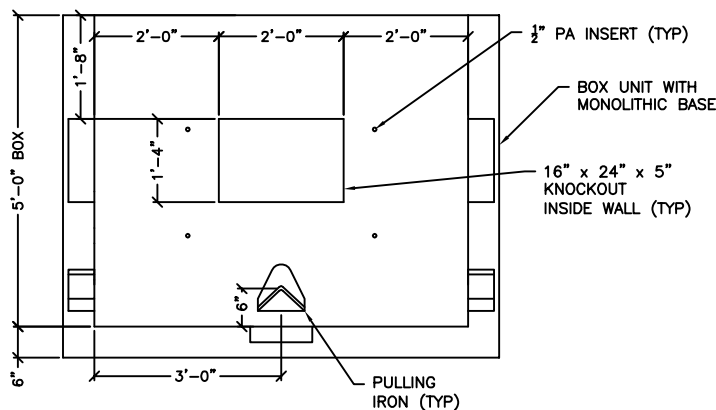
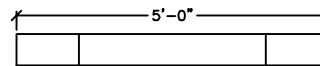
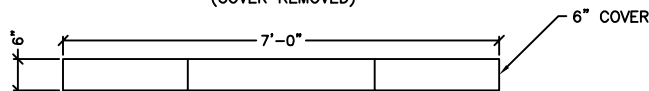
COMPONENT	WEIGHT (LBS)
COVER	2443
BOX	10875
TOTAL	13318

\*\*WITH STOCK  
Ø36" OPENING

**SPECIFICATIONS:**

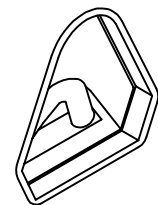
1. KNOCKOUTS SHOWN ARE STANDARD. VARIOUS KNOCKOUT TYPES ARE AVAILABLE, OPENINGS AS REQUIRED.
2. INSERT AND PULLING IRONS ARE STANDARD, CUSTOM QUANTITY AND LOCATION AS NEEDED
3. CAST IRON FRAME AND GRATES AVAILABLE FOR PURCHASE.

PLAN VIEW  
(COVER REMOVED)



ELEVATION VIEW  
(SECTION A-A)

ELEVATION VIEW  
(SECTION B-B)



**BOWCO INSERT PULLING IRON**  
 -NONCORROSIVE  
 -SEVEN STRAND, 1/2"Ø, WITH AN ULTIMATE STRENGTH OF 270,000 PSI  
 -ENCAPSULATED BY A RUSTPROOF SLEEVE THAT SLIPS OVER THE STEEL ROPE AT THE HOOKING POINT



**PENNSYLVANIA INSERTS**  
 -1/2" BOLT DIAMETER  
 -STOPS CORROSION  
 -2 1/2" BOLT EMBENDMENT DEPTH  
 -WORK LOAD STRENGTH OF 1,260 LBS.