



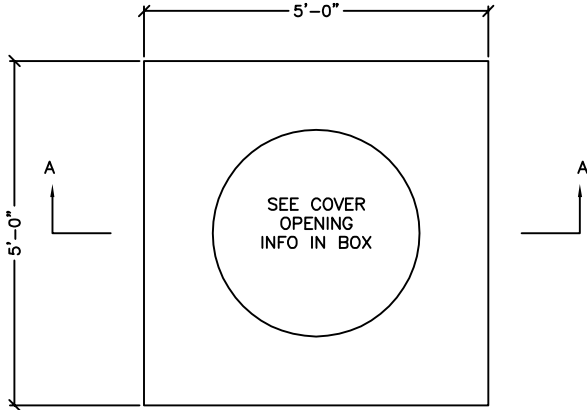
7520 EAST MAIN STREET, LIMA NY 14485
 PH: 585-624-1990 - FAX: 585-624-2102
 WEB: WWW.LAKELANDSCONCRETE.COM
 E-MAIL: SALES@LAKELANDSCONCRETE.COM

DATE: 10/23/2020 DWG: PB444

PULL BOX
 4'-0" x 4'-0" x 4'-0"

DESIGN CRITERIA:

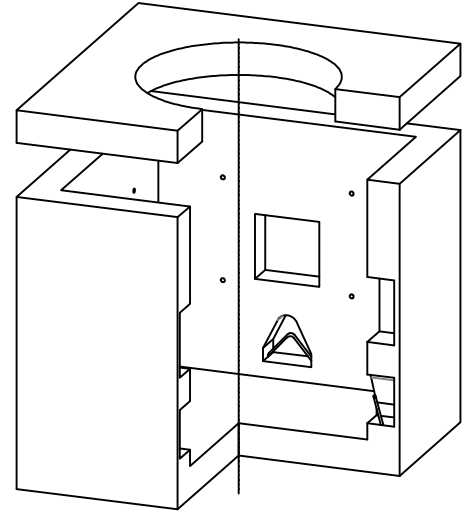
CONCRETE: 5000 PSI @ 28 DAYS
 ENTRAINED AIR: 5% - 9%
 DESIGN LOADING: AASHTO HS20-44 WITH
 LESS THAN 2'-0" EARTH COVER
 REINFORCEMENT: BAR-ASTM A615 GR60
 WWR-ASTM A185/A497 GR65



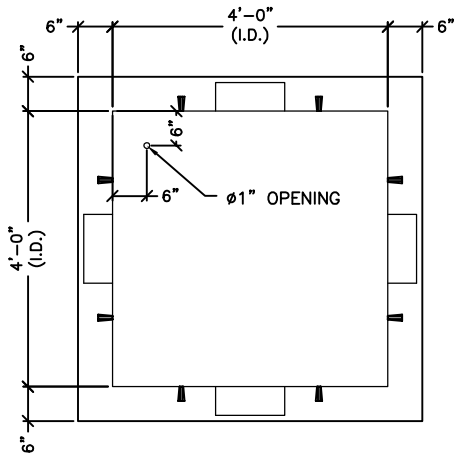
PLAN VIEW
(COVER ONLY)

$\phi 27$ " COVER OPENING
 $\phi 30$ " COVER OPENING
 $\phi 36$ " COVER OPENING
 OTHER

**COVER OPENING SIZES ARE STANDARD SIZES AND CENTERED IN THE PRECAST COVER. CUSTOM SIZES ARE AVAILABLE AT THE CUSTOMERS REQUEST. LOCATION CAN VARY.



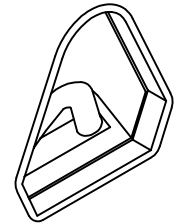
ISOMETRIC VIEW



PLAN VIEW
(COVER REMOVED)

SPECIFICATIONS:

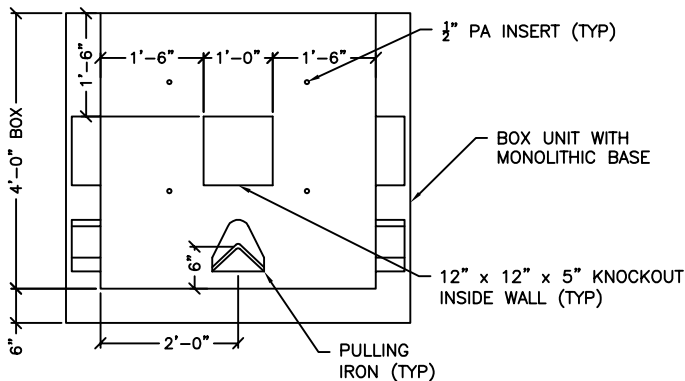
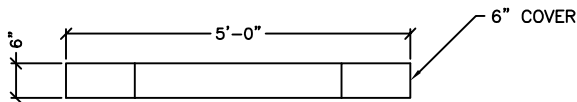
1. KNOCKOUTS SHOWN ARE STANDARD. VARIOUS KNOCKOUT TYPES ARE AVAILABLE, OPENINGS AS REQUIRED.
2. INSERT AND PULLING IRONS ARE STANDARD, CUSTOM QUANTITY AND LOCATION AS NEEDED
3. CAST IRON FRAME AND GRATES AVAILABLE FOR PURCHASE.



BOWCO INSERT PULLING IRON
 -NONCORROSIVE
 -SEVEN STRAND, 1/2"Ø, WITH AN ULTIMATE STRENGTH OF 270,000 PSI
 -ENCAPSULATED BY A RUSTPROOF SLEEVE THAT SLIPS OVER THE STEEL ROPE AT THE HOOKING POINT

COMPONENT	WEIGHT (LBS)
COVER	1345
BOX	7275
TOTAL	8620

**WITH STOCK $\phi 36$ " OPENING



ELEVATION VIEW
(SECTION A-A)
(TYP. ALL 4 SIDES)

ALSO AVAILABLE WITH NO BOTTOM AND/OR NO COVER

- NO BOTTOM
 NO COVER
 BOTTOM W/ $\phi 8$ " OPENING CENTERED
 N/A



PENNSYLVANIA INSERTS
 -1/2" BOLT DIAMETER
 -STOPS CORROSION
 -2 1/2" BOLT EMBENDMENT DEPTH
 -WORK LOAD STRENGTH OF 1,260 LBS.