



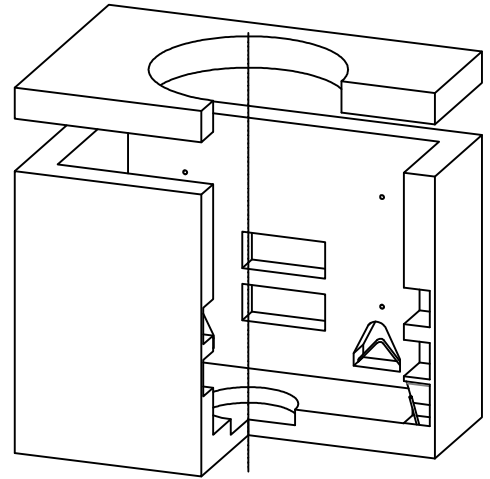
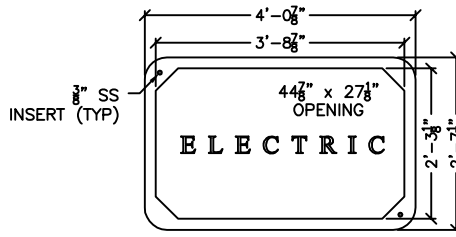
7520 EAST MAIN STREET, LIMA NY 14485  
 PH: 585-624-1990 - FAX: 585-624-2102  
 WEB: WWW.LAKELANDSCONCRETE.COM  
 E-MAIL: SALES@LAKELANDSCONCRETE.COM

DATE: 10/22/2020 DWG: PB354

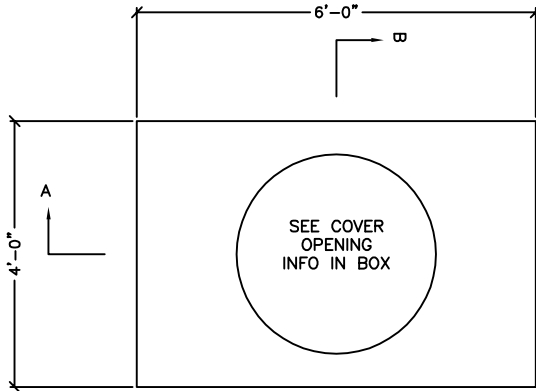
PULL BOX  
 3'-0" x 5'-0" x 4'-0"

**DESIGN CRITERIA:**

CONCRETE: 5000 PSI @ 28 DAYS  
 ENTRAINED AIR: 5% - 9%  
 DESIGN LOADING: AASHTO HS20-44 WITH  
 LESS THAN 2'-0" EARTH COVER  
 REINFORCEMENT: BAR-ASTM A615 GR60  
 WWR-ASTM A185/A497 GR65

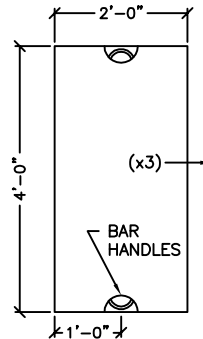


ISOMETRIC VIEW



PLAN VIEW  
(COVER ONLY)

QUAZITE COVER  
(PG3048HADD17)

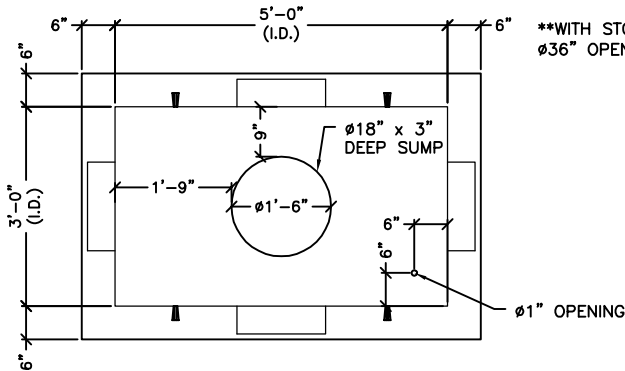


3 PIECE COVER  
(1 PIECE SHOWN)

- 3 PIECE COVER W/ BAR HANDLES (NO OPENING)
- QUAZITE COVER (PG3048HADD17) LETTERED "ELECTRIC"
- Ø30" COVER OPENING
- Ø36" COVER OPENING
- OTHER

COMPONENT	WEIGHT (LBS)
COVER	1270
BOX	7200
TOTAL	8470

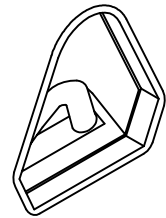
\*\*COVER OPENING SIZES ARE STANDARD SIZES AND CENTERED IN THE PRECAST COVER. CUSTOM SIZES ARE AVAILABLE AT THE CUSTOMERS REQUEST. LOCATION CAN VARY.



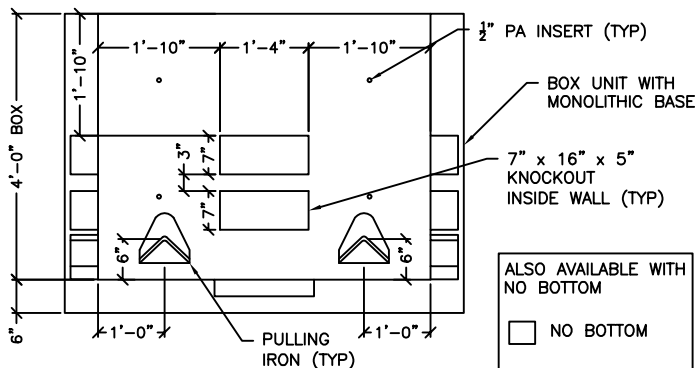
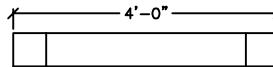
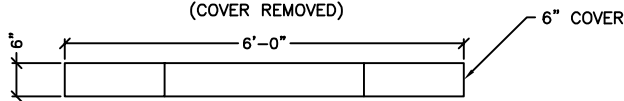
PLAN VIEW  
(COVER REMOVED)

**SPECIFICATIONS:**

1. KNOCKOUTS SHOWN ARE STANDARD. VARIOUS KNOCKOUT TYPES ARE AVAILABLE, OPENINGS AS REQUIRED.
2. INSERT AND PULLING IRONS ARE STANDARD, CUSTOM QUANTITY AND LOCATION AS NEEDED
3. CAST IRON FRAME AND GRATES AVAILABLE FOR PURCHASE.

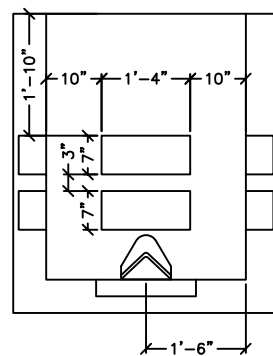


**BOWCO INSERT PULLING IRON**  
 -NONCORROSIVE  
 -SEVEN STRAND, 1/2"Ø, WITH AN ULTIMATE STRENGTH OF 270,000 PSI  
 -ENCAPSULATED BY A RUSTPROOF SLEEVE THAT SLIPS OVER THE STEEL ROPE AT THE HOOKING POINT

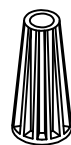


ELEVATION VIEW  
(SECTION A-A)

- ALSO AVAILABLE WITH NO BOTTOM
- NO BOTTOM
  - N/A



ELEVATION VIEW  
(SECTION B-B)



**PENNSYLVANIA INSERTS**  
 -1/2" BOLT DIAMETER  
 -STOPS CORROSION  
 -2 1/2" BOLT EMBENDMENT DEPTH  
 -WORK LOAD STRENGTH OF 1,260 LBS.