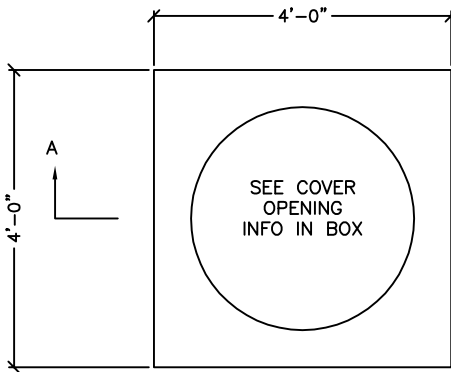


PULL BOX  
 3'-0" x 3'-0" x 4'-0"

**DESIGN CRITERIA:**

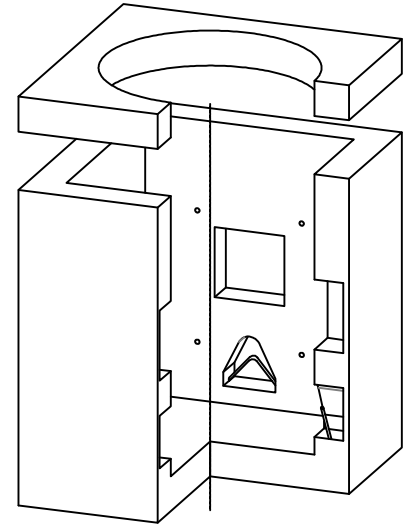
CONCRETE: 5000 PSI @ 28 DAYS  
 ENTRAINED AIR: 5% - 9%  
 DESIGN LOADING: AASHTO HS20-44 WITH  
 LESS THAN 2'-0" EARTH COVER  
 REINFORCEMENT: BAR-ASTM A615 GR60  
 WWR-ASTM A185/A497 GR65



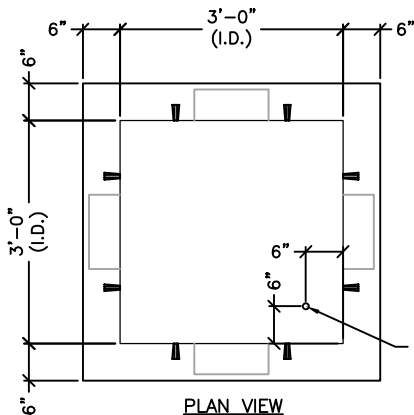
PLAN VIEW  
(COVER ONLY)

<input type="checkbox"/>	NO OPENING
<input type="checkbox"/>	Ø24" COVER OPENING
<input type="checkbox"/>	Ø30" COVER OPENING
<input type="checkbox"/>	Ø36" COVER OPENING
<input type="checkbox"/>	OTHER

**\*\*COVER OPENING SIZES ARE STANDARD SIZES AND CENTERED IN THE PRECAST COVER. CUSTOM SIZES ARE AVAILABLE AT THE CUSTOMERS REQUEST. LOCATION CAN VARY.**



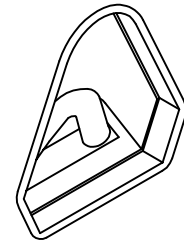
ISOMETRIC VIEW



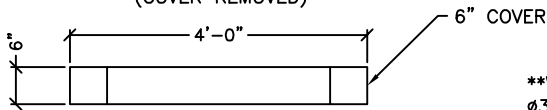
PLAN VIEW  
(COVER REMOVED)

**SPECIFICATIONS:**

1. KNOCKOUTS SHOWN ARE STANDARD. VARIOUS KNOCKOUT TYPES ARE AVAILABLE, OPENINGS AS REQUIRED.
2. INSERT AND PULLING IRONS ARE STANDARD, CUSTOM QUANTITY AND LOCATION AS NEEDED
3. CAST IRON FRAME AND GRATES AVAILABLE FOR PURCHASE.

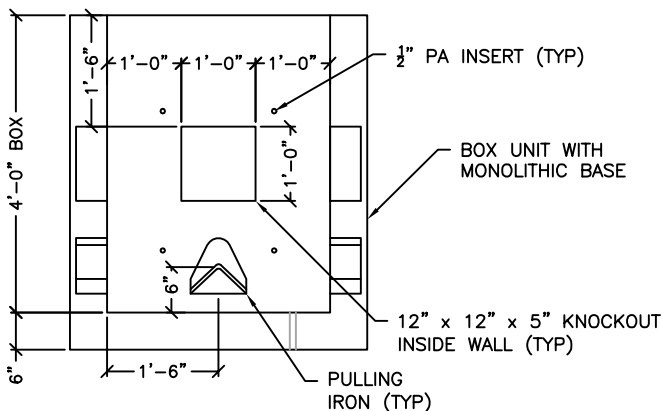


**BOWCO INSERT PULLING IRON**  
 -NONCORROSIVE  
 -SEVEN STRAND, 1/2"Ø, WITH AN ULTIMATE STRENGTH OF 270,000 PSI  
 -ENCAPSULATED BY A RUSTPROOF SLEEVE THAT SLIPS OVER THE STEEL ROPE AT THE HOOKING POINT



\*\*WITH STOCK  
 Ø36" OPENING

COMPONENT	WEIGHT (LBS)
COVER	690
BOX	5400
TOTAL	6090



ELEVATION VIEW  
(SECTION A-A)  
(TYP. ALL 4 SIDES)

ALSO AVAILABLE WITH NO BOTTOM AND/OR NO COVER

<input type="checkbox"/>	NO BOTTOM
<input type="checkbox"/>	NO COVER
<input type="checkbox"/>	N/A



**PENNSYLVANIA INSERTS**  
 -1/2" BOLT DIAMETER  
 -STOPS CORROSION  
 -2 1/2" BOLT EMBEDMENT DEPTH  
 -WORK LOAD STRENGTH OF 1,260 LBS.