



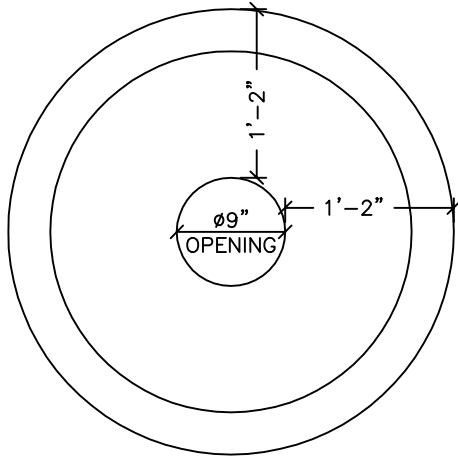
7520 EAST MAIN STREET, LIMA NY 14485
 PH: 585-624-1990 - FAX: 585-624-2102
 WEB: WWW.LAKELANDSCONCRETE.COM
 E-MAIL: SALES@LAKELANDSCONCRETE.COM

DATE: 10/21/2020 DWG: PB30D36

PULL BOX
 Ø30" x 36" TALL

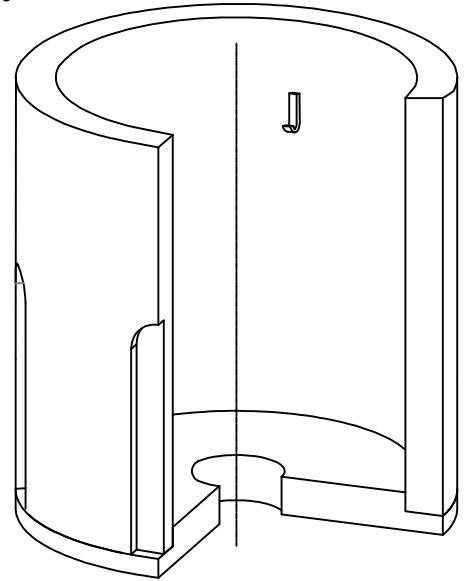
DESIGN CRITERIA:

CONCRETE: 5000 PSI @ 28 DAYS
 ENTRAINED AIR: 5% - 9%
 DESIGN LOADING: AASHTO HS20-44 WITH LESS THAN
 2'-0" EARTH COVER
 REINFORCEMENT: BAR-ASTM A615 GR60
 WWR-ASTM A185

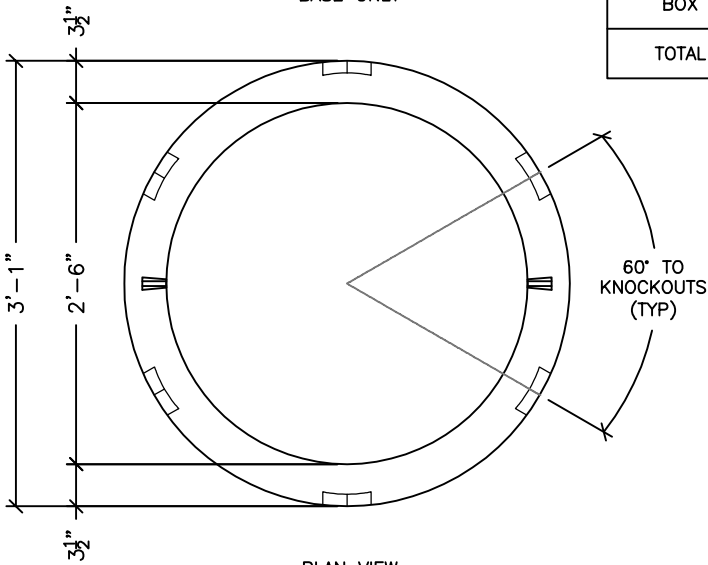


PLAN VIEW
 BASE ONLY

COMPONENT	WEIGHT (LBS)
BASE	366
BOX	1151
TOTAL	1517



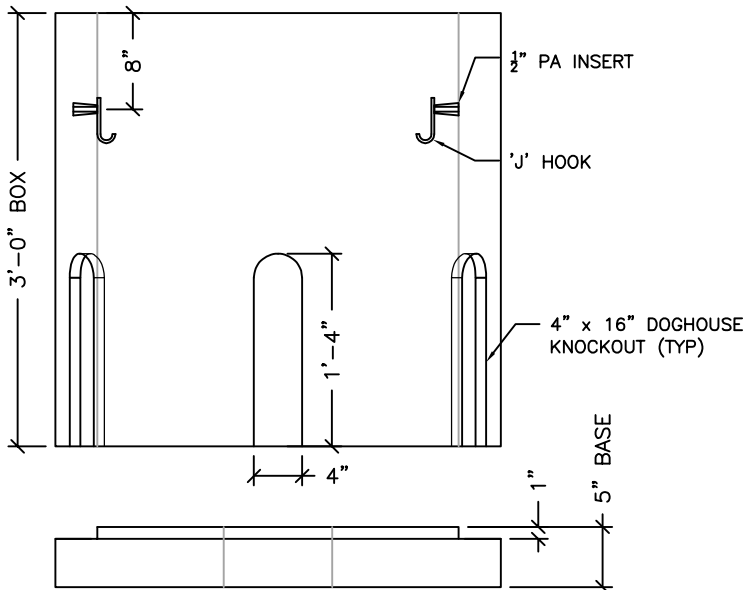
ISOMETRIC VIEW



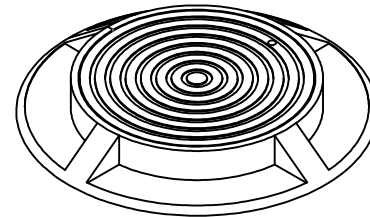
PLAN VIEW
 BOX ONLY

SPECIFICATIONS:

1. CUSTOM KNOCKOUTS OR OPENINGS ARE AVAILABLE UPON REQUEST
2. CUSTOM LOCATIONS OF 'J' HOOKS ARE AVAILABLE UPON REQUEST
3. CUSTOMER TO GROUT ANY JOINTS
4. CUSTOMER IS RESPONSIBLE OF THE FRAME INSTALLATION IN FIELD (IF REQUIRED)



ELEVATION VIEW



FRAME & COVER

FRAME & COVER
 MODEL NO: _____
 NOT NEEDED

THIS PULL BOX IS ALSO AVAILABLE WITH NO BOTTOM
 INCLUDE BOTTOM
 NOT NEEDED