



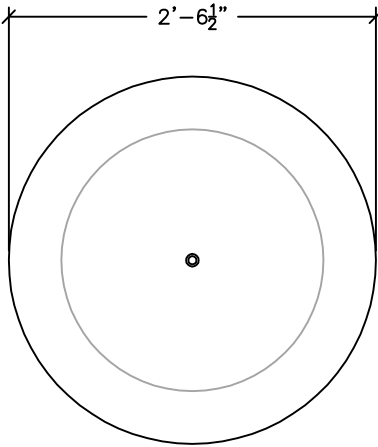
7520 EAST MAIN STREET, LIMA NY 14485
 PH: 585-624-1990 - FAX: 585-624-2102
 WEB: WWW.LAKELANDSCONCRETE.COM
 E-MAIL: SALES@LAKELANDSCONCRETE.COM

DATE: 10/21/2020 DWG: PB24D36

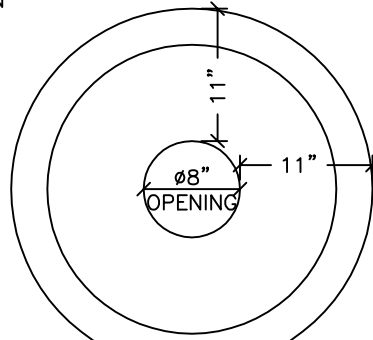
PULL BOX
 Ø24" x 36" TALL

DESIGN CRITERIA:

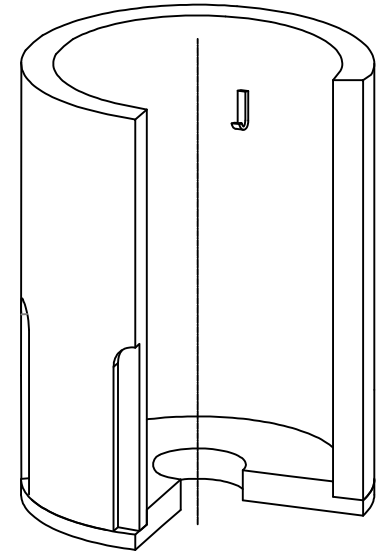
CONCRETE: 5000 PSI @ 28 DAYS
 ENTRAINED AIR: 5% - 9%
 DESIGN LOADING: AASHTO HS20-44 WITH LESS THAN
 2'-0" EARTH COVER
 REINFORCEMENT: BAR-ASTM A615 GR60
 WWR-ASTM A185



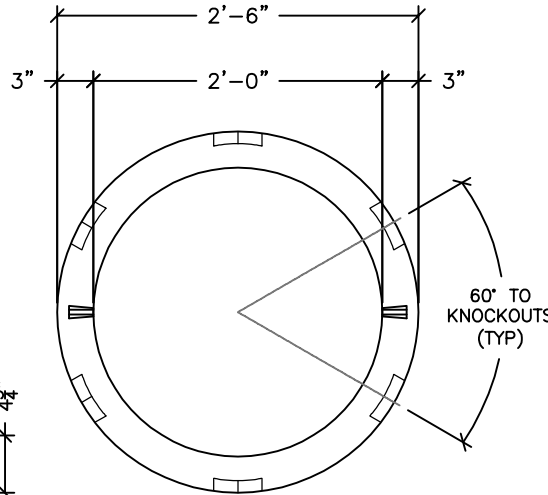
PLAN VIEW
 (OPTIONAL COVER)



PLAN VIEW
 BASE ONLY



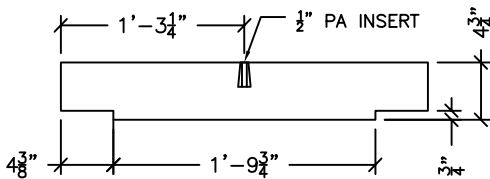
ISOMETRIC VIEW



PLAN VIEW
 BOX ONLY

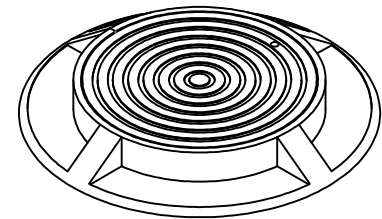
SPECIFICATIONS:

1. CUSTOM KNOCKOUTS OR OPENINGS ARE AVAILABLE UPON REQUEST
2. CUSTOM LOCATIONS OF 'J' HOOKS ARE AVAILABLE UPON REQUEST
3. CUSTOMER TO GROUT ANY JOINTS
4. CUSTOM OPENING SIZES AND LOCATIONS ARE AVAILABLE UPON REQUEST IN OPTIONAL COVER
5. CUSTOMER IS RESPONSIBLE OF THE FRAME INSTALLATION IN FIELD (IF REQUIRED)



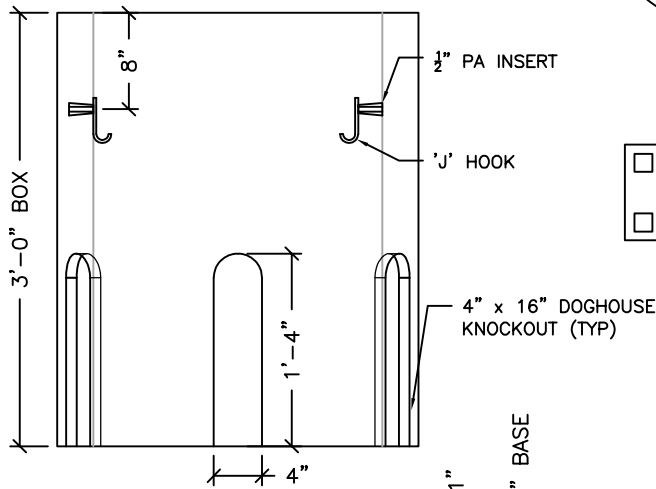
ELEVATION VIEW
 (OPTIONAL COVER)

OPTIONAL COVER
 OPENING SIZE: _____
 NOT NEEDED



FRAME & COVER

FRAME & COVER
 MODEL NO: _____
 NOT NEEDED



ELEVATION VIEW

THIS PULL BOX IS ALSO AVAILABLE WITH NO BOTTOM

INCLUDE BOTTOM
 NOT NEEDED

COMPONENT	WEIGHT (LBS)
BASE	300
BOX	790
OPTIONAL COVER	278
TOTAL	1368