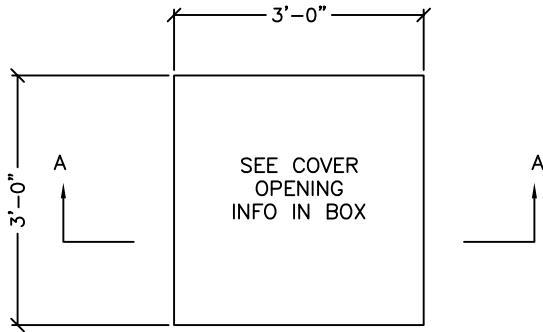


PULL BOX  
 2'-0" x 2'-0" x 3'-0"

DESIGN CRITERIA:

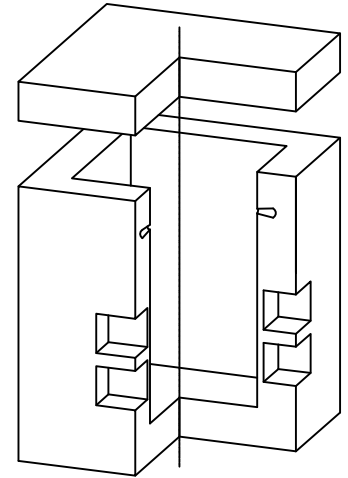
CONCRETE: 5000 PSI @ 28 DAYS  
 ENTRAINED AIR: 5% - 9%  
 DESIGN LOADING: AASHTO HS20-44 WITH  
 LESS THAN 2'-0" EARTH COVER  
 REINFORCEMENT: BAR-ASTM A615 GR60  
 WWR-ASTM A185/A497 GR65



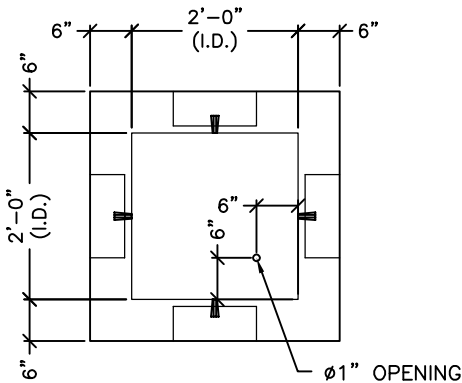
PLAN VIEW  
(COVER ONLY)

<input type="checkbox"/>	NO COVER OPENING
<input type="checkbox"/>	Ø18" COVER OPENING
<input type="checkbox"/>	Ø24" COVER OPENING
<input type="checkbox"/>	OTHER

**\*\*COVER OPENING SIZES ARE STANDARD SIZES AND CENTERED IN THE PRECAST COVER. CUSTOM SIZES ARE AVAILABLE AT THE CUSTOMERS REQUEST. LOCATION CAN VARY.**



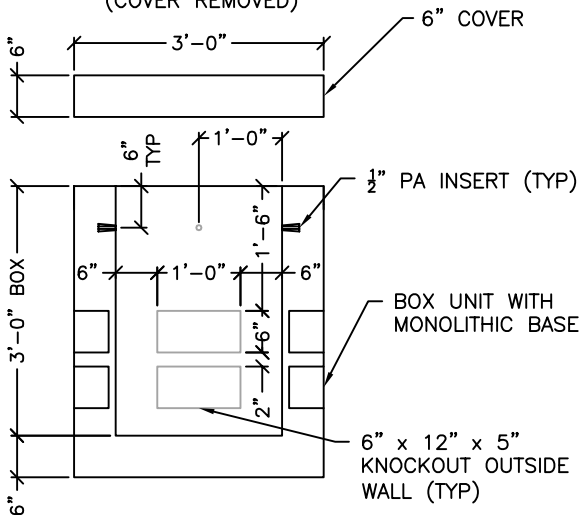
ISOMETRIC VIEW



PLAN VIEW  
(COVER REMOVED)

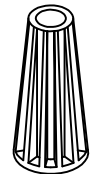
SPECIFICATIONS:

1. KNOCKOUTS SHOWN ARE STANDARD. VARIOUS KNOCKOUT TYPES ARE AVAILABLE, OPENINGS AS REQUIRED.
2. INSERTS ARE STANDARD, CUSTOM QUANTITY AND LOCATION AS NEEDED
3. CAST IRON FRAME AND GRATES AVAILABLE FOR PURCHASE.



ELEVATION VIEW  
(SECTION A-A)  
(TYP. ALL 4 SIDES)

ALSO AVAILABLE WITH NO COVER AND/OR NO BOTTOM	
<input type="checkbox"/>	NO COVER
<input type="checkbox"/>	NO BOTTOM
<input type="checkbox"/>	N/A



PENNSYLVANIA INSERTS  
 -1/2" BOLT DIAMETER  
 -STOPS CORROSION  
 -2 1/2" BOLT EMBENDMENT DEPTH  
 -WORK LOAD STRENGTH OF 1,260 LBS.

COMPONENT	WEIGHT (LBS)
COVER	675
BOX	2925
TOTAL	3600

\*\*WITH STOCK 'NO OPENING' COVER