



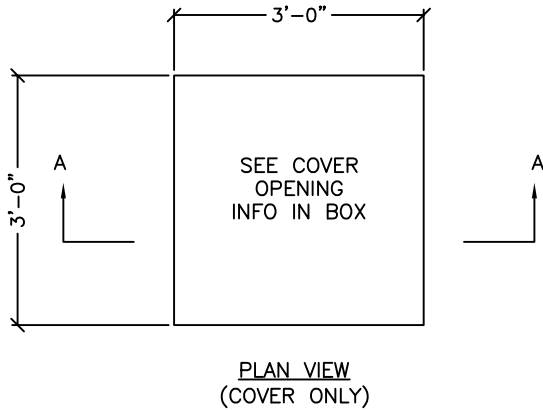
7520 EAST MAIN STREET, LIMA NY 14485
 PH: 585-624-1990 - FAX: 585-624-2102
 WEB: WWW.LAKELANDSCONCRETE.COM
 E-MAIL: SALES@LAKELANDSCONCRETE.COM

DATE: 10/26/2020 DWG: PB242424

PULL BOX
 2'-0" x 2'-0" x 2'-0"

DESIGN CRITERIA:

CONCRETE: 5000 PSI @ 28 DAYS
 ENTRAINED AIR: 5% - 9%
 DESIGN LOADING: AASHTO HS20-44 WITH
 LESS THAN 2'-0" EARTH COVER
 REINFORCEMENT: BAR-ASTM A615 GR60
 WWR-ASTM A185/A497 GR65



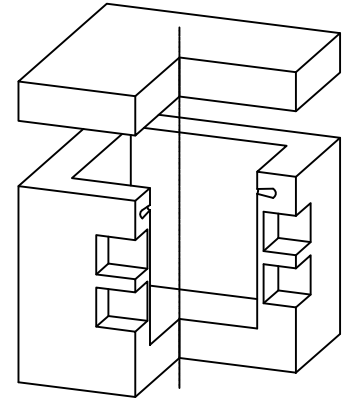
NO COVER OPENING

Ø18" COVER OPENING

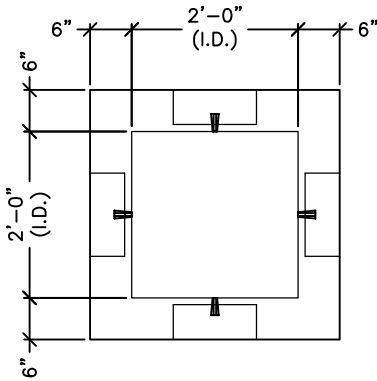
Ø24" COVER OPENING

OTHER

****COVER OPENING SIZES ARE STANDARD SIZES AND CENTERED IN THE PRECAST COVER. CUSTOM SIZES ARE AVAILABLE AT THE CUSTOMERS REQUEST. LOCATION CAN VARY.**

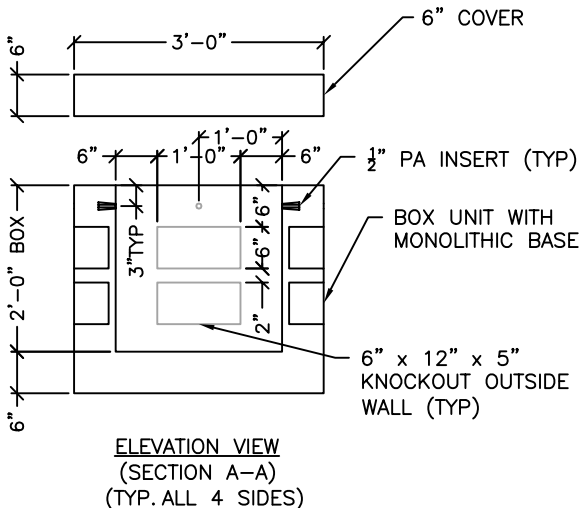


ISOMETRIC VIEW



SPECIFICATIONS:

1. KNOCKOUTS SHOWN ARE STANDARD. VARIOUS KNOCKOUT TYPES ARE AVAILABLE, OPENINGS AS REQUIRED.
2. INSERTS ARE STANDARD, CUSTOM QUANTITY AND LOCATION AS NEEDED
3. CAST IRON FRAME AND GRATES AVAILABLE FOR PURCHASE.

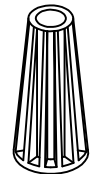


ALSO AVAILABLE WITH NO COVER AND/OR NO BOTTOM

NO COVER

NO BOTTOM

N/A



PENNSYLVANIA INSERTS
 -1/2" BOLT DIAMETER
 -STOPS CORROSION
 -2 1/2" BOLT EMBENDMENT DEPTH
 -WORK LOAD STRENGTH OF 1,260 LBS.

| COMPONENT | WEIGHT (LBS) |
|-----------|--------------|
| COVER | 675 |
| BOX | 2175 |
| TOTAL | 2850 |

**WITH STOCK 'NO OPENING' COVER