



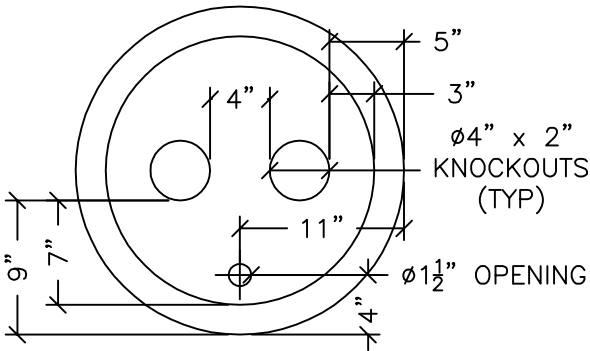
7520 EAST MAIN STREET, LIMA NY 14485
 PH: 585-624-1990 - FAX: 585-624-2102
 WEB: WWW.LAKELANDSCONCRETE.COM
 E-MAIL: SALES@LAKELANDSCONCRETE.COM

DATE: 10/21/2020 DWG: PB18D20

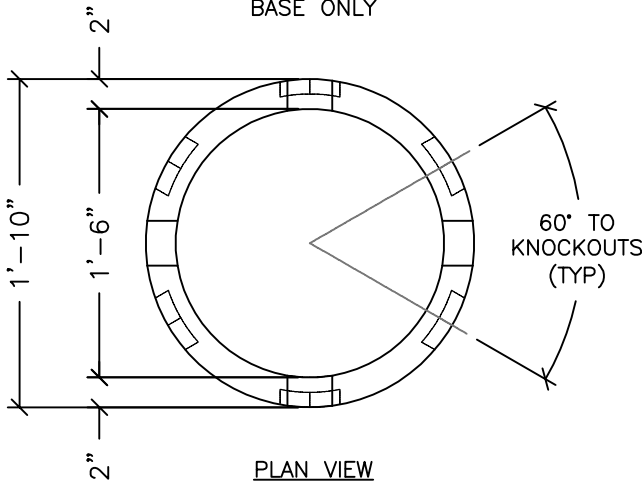
PULL BOX
 Ø18" x 20" TALL

DESIGN CRITERIA:

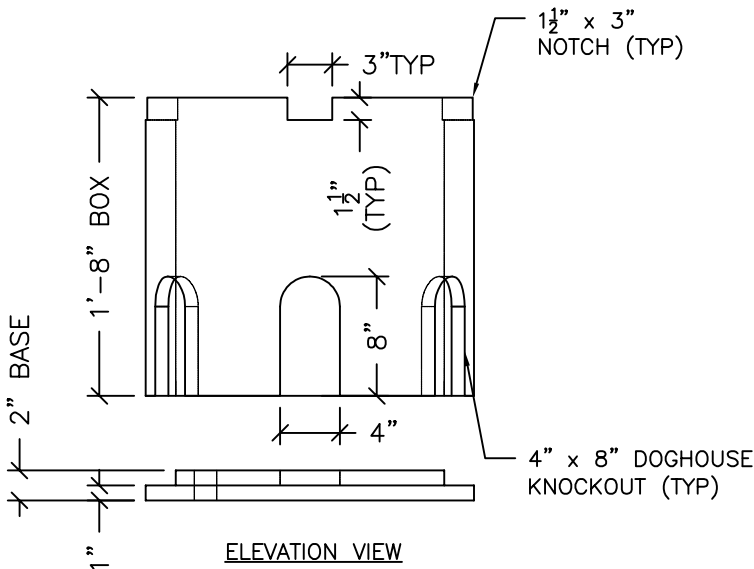
CONCRETE: 5000 PSI @ 28 DAYS
 ENTRAINED AIR: 5% - 9%
 DESIGN LOADING: AASHTO HS20-44 WITH LESS THAN
 2'-0" EARTH COVER
 REINFORCEMENT: BAR-ASTM A615 GR60
 WWR-ASTM A185



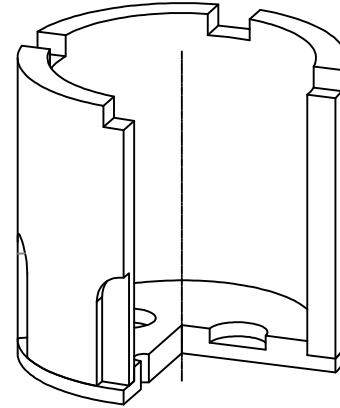
PLAN VIEW
 BASE ONLY



PLAN VIEW
 BOX ONLY



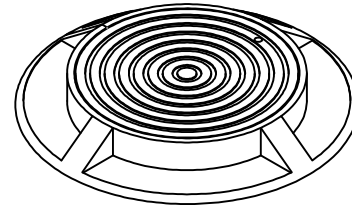
ELEVATION VIEW



ISOMETRIC VIEW

SPECIFICATIONS:

1. CUSTOM KNOCKOUTS OR OPENINGS ARE AVAILABLE UPON REQUEST
2. CUSTOMER TO GROUT ANY JOINTS AS REQUIRED
3. CUSTOMER IS RESPONSIBLE OF THE FRAME INSTALLATION IN FIELD (IF REQUIRED)



FRAME & COVER

FRAME & COVER
 MODEL NO: _____

NOT NEEDED

COMPONENT	WEIGHT (LBS)
BASE	85
BOX	215
TOTAL	300