



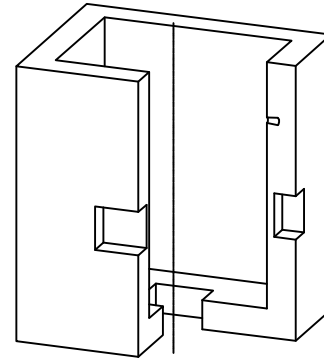
7520 EAST MAIN STREET, LIMA NY 14485
 PH: 585-624-1990 - FAX: 585-624-2102
 WEB: WWW.LAKELANDSCONCRETE.COM
 E-MAIL: SALES@LAKELANDSCONCRETE.COM

DATE: 10/26/2020 DWG: PB182634

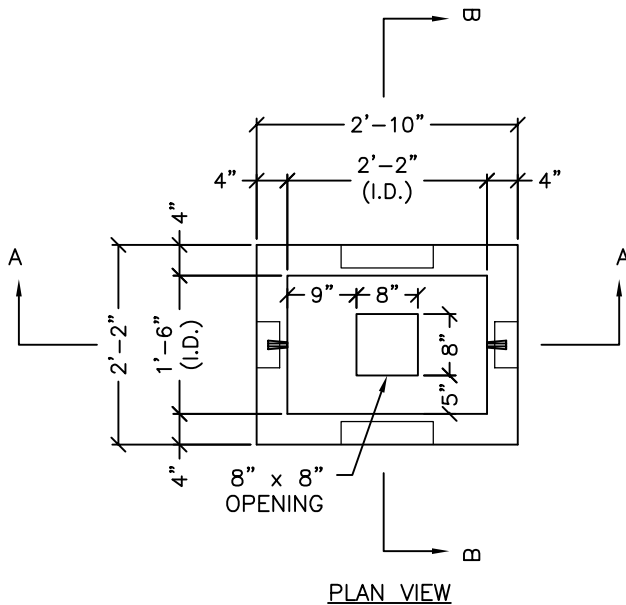
PULL BOX
 1'-6" x 2'-2" x 2'-10"

DESIGN CRITERIA:

CONCRETE: 5000 PSI @ 28 DAYS
 ENTRAINED AIR: 5% - 9%
 DESIGN LOADING: AASHTO HS20-44 WITH
 LESS THAN 2'-0" EARTH COVER
 REINFORCEMENT: BAR-ASTM A615 GR60
 WWR-ASTM A185/A497 GR65



ISOMETRIC VIEW

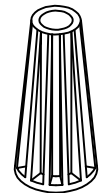


PLAN VIEW

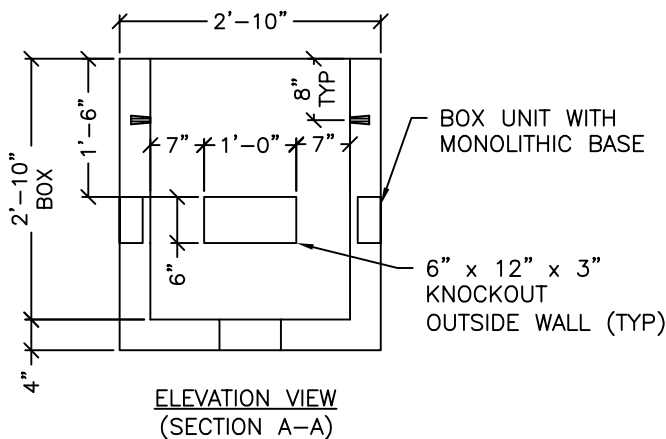
SPECIFICATIONS:

1. KNOCKOUTS SHOWN ARE STANDARD. VARIOUS KNOCKOUT TYPES ARE AVAILABLE, OPENINGS AS REQUIRED.
2. INSERTS ARE STANDARD, CUSTOM QUANTITY AND LOCATION AS NEEDED.
3. COVER CAN BE INCLUDED WITH CUSTOM OPENING IF REQUIRED BY CUSTOMER.

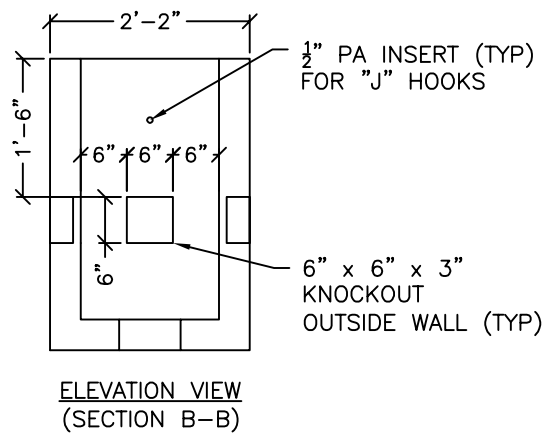
COMPONENT	WEIGHT (LBS)
BOX	2650
TOTAL	-



PENNSYLVANIA INSERTS
 -1/2" BOLT DIAMETER
 -STOPS CORROSION
 -2 1/2" BOLT EMBENDMENT DEPTH
 -WORK LOAD STRENGTH OF 1,260 LBS.



ELEVATION VIEW
 (SECTION A-A)



ELEVATION VIEW
 (SECTION B-B)