



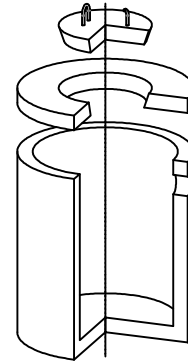
7520 EAST MAIN STREET, LIMA NY 14485  
 PH: 585-624-1990 - FAX: 585-624-2102  
 WEB: WWW.LAKELANDSCONCRETE.COM  
 E-MAIL: SALES@LAKELANDSCONCRETE.COM

DATE: 10/27/2020 DWG: GT50

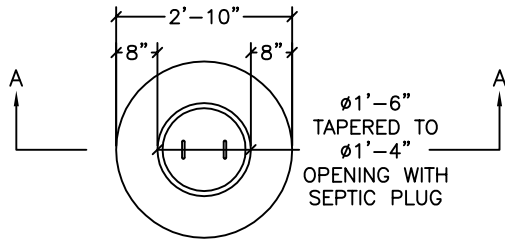
GREASE TRAP  
 50 GALLON, CYLINDRICAL

DESIGN CRITERIA:

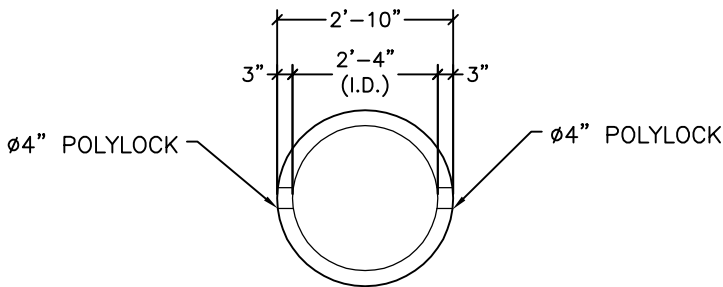
CONCRETE: 5000 PSI @ 28 DAYS  
 ENTRAINED AIR: 5% - 9%  
 DESIGN LOADING: AASHTO HS20-44 WITH  
 LESS THAN 2'-0" EARTH COVER  
 REINFORCEMENT: BAR-ASTM A615 GR60  
 WWR-ASTM A185/A497 GR65



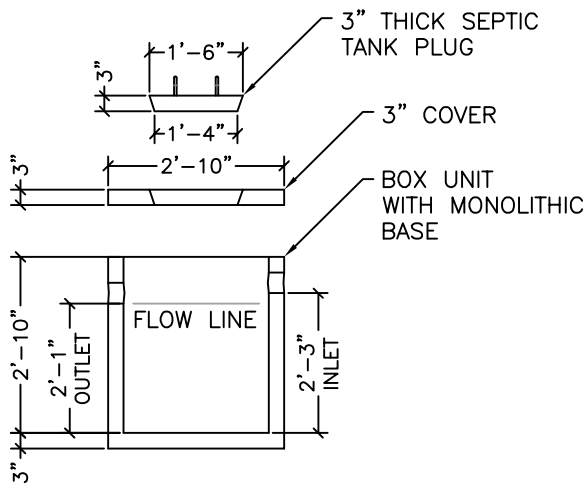
ISOMETRIC VIEW



PLAN VIEW  
 (COVER ONLY)



PLAN VIEW  
 (COVER REMOVED)



ELEVATION VIEW  
 (SECTION A-A)

SPECIFICATIONS:

1. CUSTOM OPENINGS ARE AVAILABLE UPON CUSTOMERS REQUEST, SEPTIC TANK PLUG CAN BE EXCLUDED
2. LOWERING THE HEIGHT OF THE OUTLET POLYLOCK OPENING WILL DECREASE THE CAPACITY OF THE GREASE TRAP
3. CAST IRON FRAME AND GRATES ARE AVAILABLE FOR PURCHASE



POLY-LOCK SEAL  
 (CAST-IN)

THIS DEVICE ELIMINATES THE USE OF GROUT BY CREATING ITS OWN WATERTIGHT SEAL. CONTRACTORS CAN EASILY TRIM THE SEAL TO THE DESIRED PIPE SIZE AND THEN INSERT THE PIPE. IT CAN BE USED FOR 2", 3", OR 4" PIPE.

COMPONENT	WEIGHT (LBS)
COVER	162
BASE	1096
TOTAL	1259