



7520 EAST MAIN STREET, LIMA NY 14485
 PH: 585-624-1990 - FAX: 585-624-2102
 WEB: WWW.LAKELANDSCONCRETE.COM
 E-MAIL: SALES@LAKELANDSCONCRETE.COM

DATE: 10/29/2020 DWG: GT1950

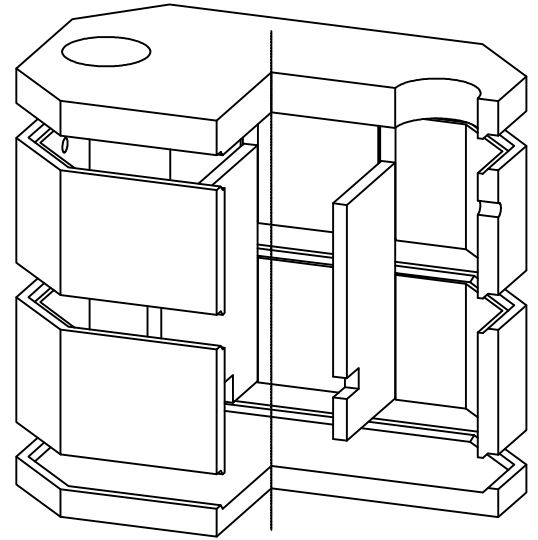
GREASE TRAP
 1950 GALLON

DESIGN CRITERIA:

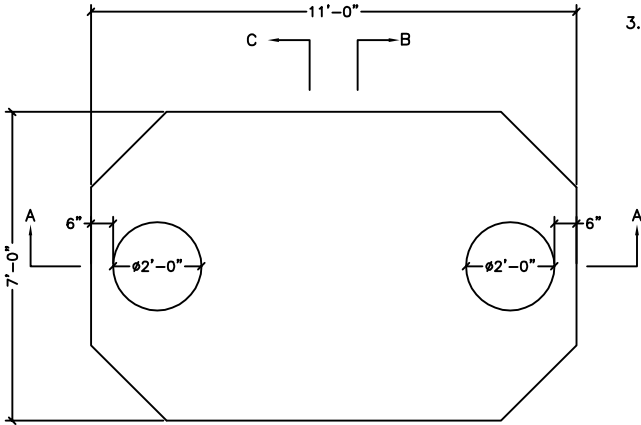
CONCRETE: 5000 PSI @ 28 DAYS
 ENTRAINED AIR: 5% - 9%
 DESIGN LOADING: AASHTO HS20-44 WITH
 LESS THAN 2'-0" EARTH COVER
 REINFORCEMENT: BAR-ASTM A615 GR60
 WWR-ASTM A185/A497 GR65

SPECIFICATIONS:

1. CUSTOM OPENINGS ARE AVAILABLE UPON CUSTOMERS REQUEST
2. LOWERING THE HEIGHT OF THE OUTLET POLYLOCK OPENING WILL DECREASE THE CAPACITY OF THE GREASE TRAP
3. CAST IRON FRAME AND GRATES ARE AVAILABLE FOR PURCHASE



ISOMETRIC VIEW



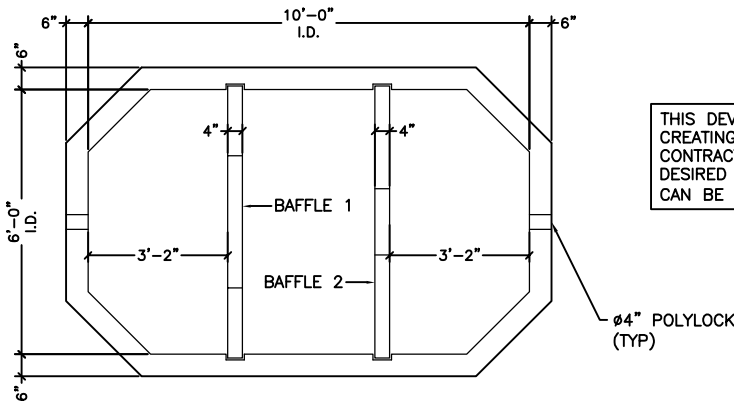
PLAN VIEW
 (COVER ONLY)



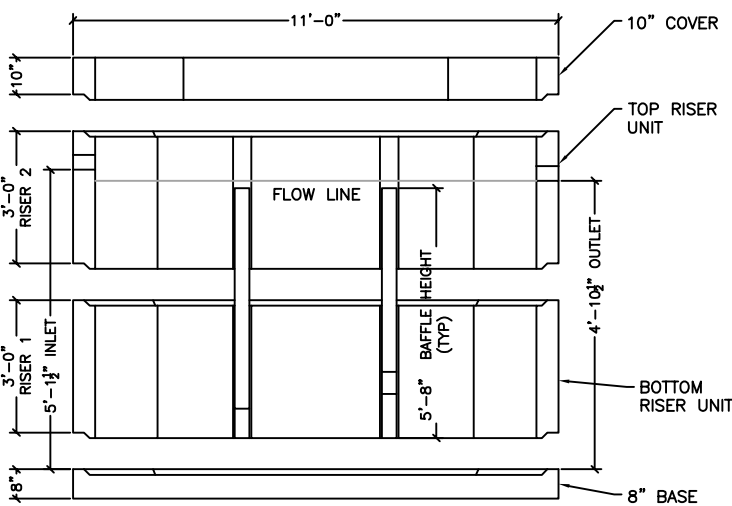
POLY-LOCK SEAL
 (CAST-IN)

THIS DEVICE ELIMINATES THE USE OF GROUT BY CREATING ITS OWN WATERTIGHT SEAL. CONTRACTORS CAN EASILY TRIM THE SEAL TO THE DESIRED PIPE SIZE AND THEN INSERT THE PIPE. IT CAN BE USED FOR 2", 3", OR 4" PIPE.

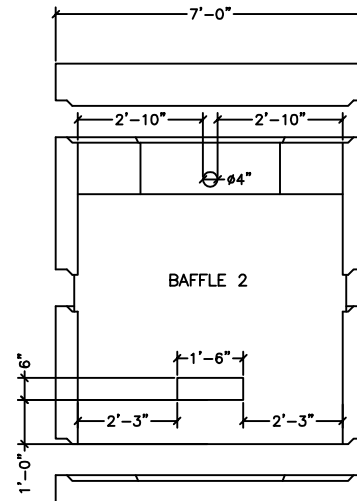
COMPONENT	WEIGHT (LBS)
COVER	8109
BASE	7115
RISER 1	6748
RISER 2	6735
BAFFLE 1	1647
BAFFLE 2	1710
TOTAL	32064



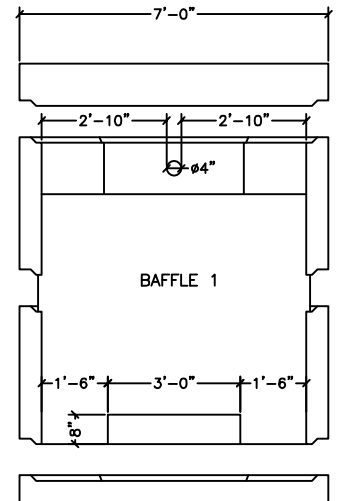
PLAN VIEW
 (COVER REMOVED)



ELEVATION VIEW
 (SECTION A-A)



ELEVATION VIEW
 (SECTION B-B)



ELEVATION VIEW
 (SECTION C-C)