



7520 EAST MAIN STREET, LIMA NY 14485  
 PH: 585-624-1990 - FAX: 585-624-2102  
 WEB: WWW.LAKELANDSCONCRETE.COM  
 E-MAIL: SALES@LAKELANDSCONCRETE.COM

DATE: 10/15/2020 DWG: CB243230

CATCH BASIN  
 2'-0" x 2'-8" x 2'-6"

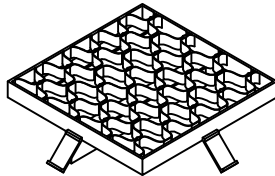
**DESIGN CRITERIA:**

- CONCRETE: 5000 PSI @ 28 DAYS
- ENTRAINED AIR: 5% - 9%
- DESIGN LOADING: AASHTO HS20-44 WITH LESS THAN 2'-0" EARTH COVER
- REINFORCEMENT: BAR-ASTM A615 GR60  
 WWR-ASTM A185

**SPECIFICATIONS:**

1. CUSTOM KNOCKOUTS OR OPENINGS ARE AVAILABLE UPON REQUEST
2. FIELD/FRAME ADJUSTMENT SIZED PER CUSTOMERS REQUEST
3. BITUMASTIC COATING AVAILABLE IF REQUIRED
4. BOOTS/LINK SEALS PROVIDED IF REQUIRED (LAKELANDS MUST BE NOTIFIED)
5. SUMPS AS NEEDED BY CUSTOMERS REQUEST
6. CUSTOMER TO GROUT ANY KEYWAYS AS REQUIRED
7. CUSTOMER IS RESPONSIBLE OF THE FRAME INSTALLATION IN FIELD (IF REQUIRED)

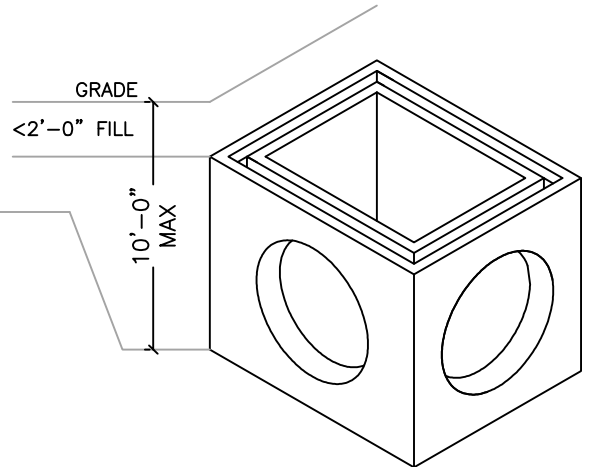
**\*\*MAXIMUM DEPTH TO BOTTOM OF CATCH BASIN = 10'-0" BELOW GRADE\*\***



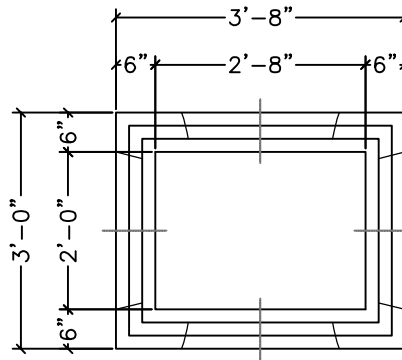
CAST-IN COLLAR FRAME AND GRATE

CAST-IN FRAME & GRATE  
 MODEL NO: \_\_\_\_\_

NOT NEEDED



ISOMETRIC VIEW



PLAN VIEW

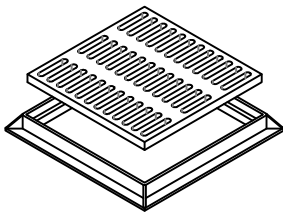
**BITUMASTIC COATING**

EXTERIOR

INTERIOR

EXTERIOR AND INTERIOR

NOT NEEDED

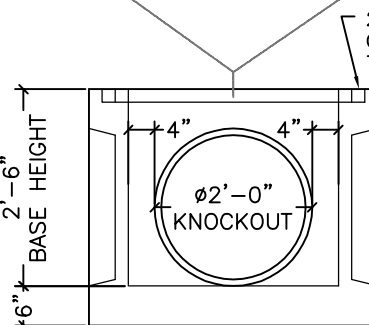
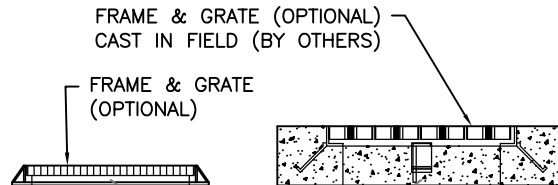


FRAME & GRATE

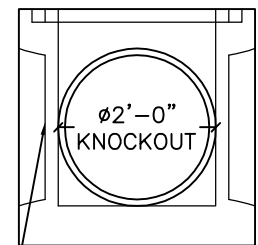
FRAME & GRATE  
 MODEL NO: \_\_\_\_\_

NOT NEEDED

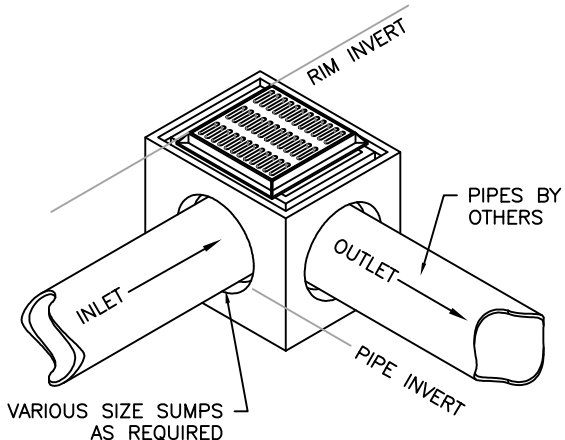
CATCH BASIN BASE HEIGHT	WEIGHT (LBS)
30"	2952



ELEVATION VIEW



SIDE ELEVATION VIEW



IN-FIELD VIEW

2" DEEP x 2" WIDE CONSTRUCTION JOINTS TYPICAL ALL WALLS

KNOCKOUT (TYP) ALL (4) SIDES

VARIOUS SIZE SUMPS AS REQUIRED

PIPES BY OTHERS