



Lakelands Concrete Products, Inc.  
 7520 East Main St., Lima, NY 14485  
 Phone: 585-624-1990, Fax: 585-624-2102

Web: www.lakelandsconcrete.com  
 E-mail: sales@lakelandsconcrete.com

Date: 9-25-07

DWG: UF8C

National Grid Transformer Pad And Curbing  
 Installation Sheet For UF8C Pad With Curbing  
 Three Phase Pad-Mounted Transformer  
 25 & 35 KV 75-300 kVA

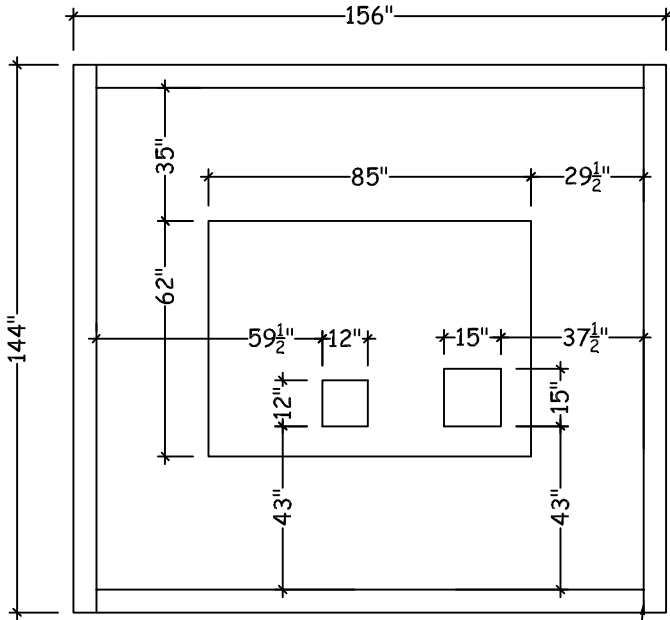
# National Grid

UF8C Transformer Pad And Curbing

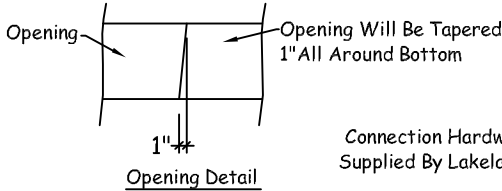
UF8C  
 TPC212I  
 TPC212P

Curbing
2 At 12'-0" With Inserts
2 At 12'-0" With Sleeves

Weights
Pad: 4215 lbs
Curbing: 7200 lbs

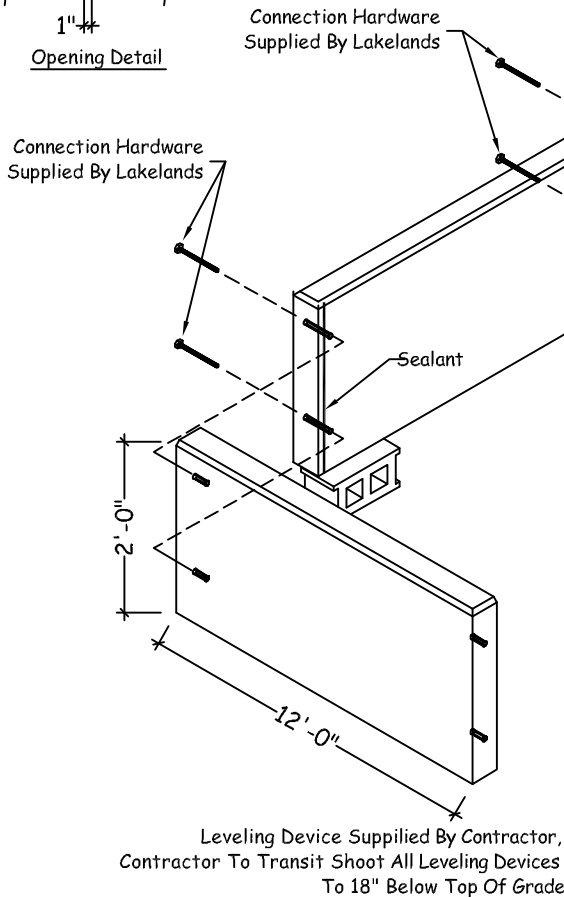
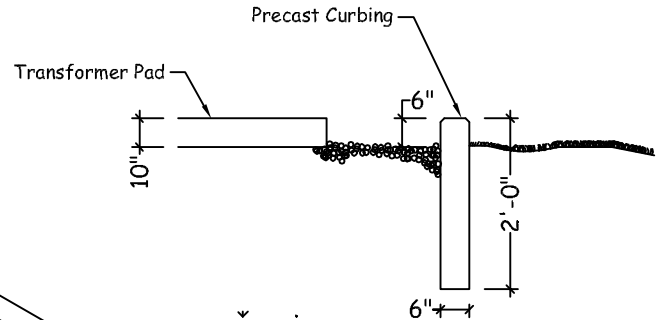


1" Butyl Sealant  
 At Each Corner



## REAR OF LAKELANDS BOOM TRUCK MUST BE WITHIN 15'-0" OF FARTHEST CURBING BEING SET

Excavate 18" Below Finished Grade And  
 12" Bigger Than Outside Measurements  
 Of Curbing. Set And Square Leveling  
 Blocks And Shoot With Transit. Curbing  
 Should Extend 6" Above Grade.



Leveling Device Supplied By Contractor,  
 Contractor To Transit Shoot All Leveling Devices  
 To 18" Below Top Of Grade