



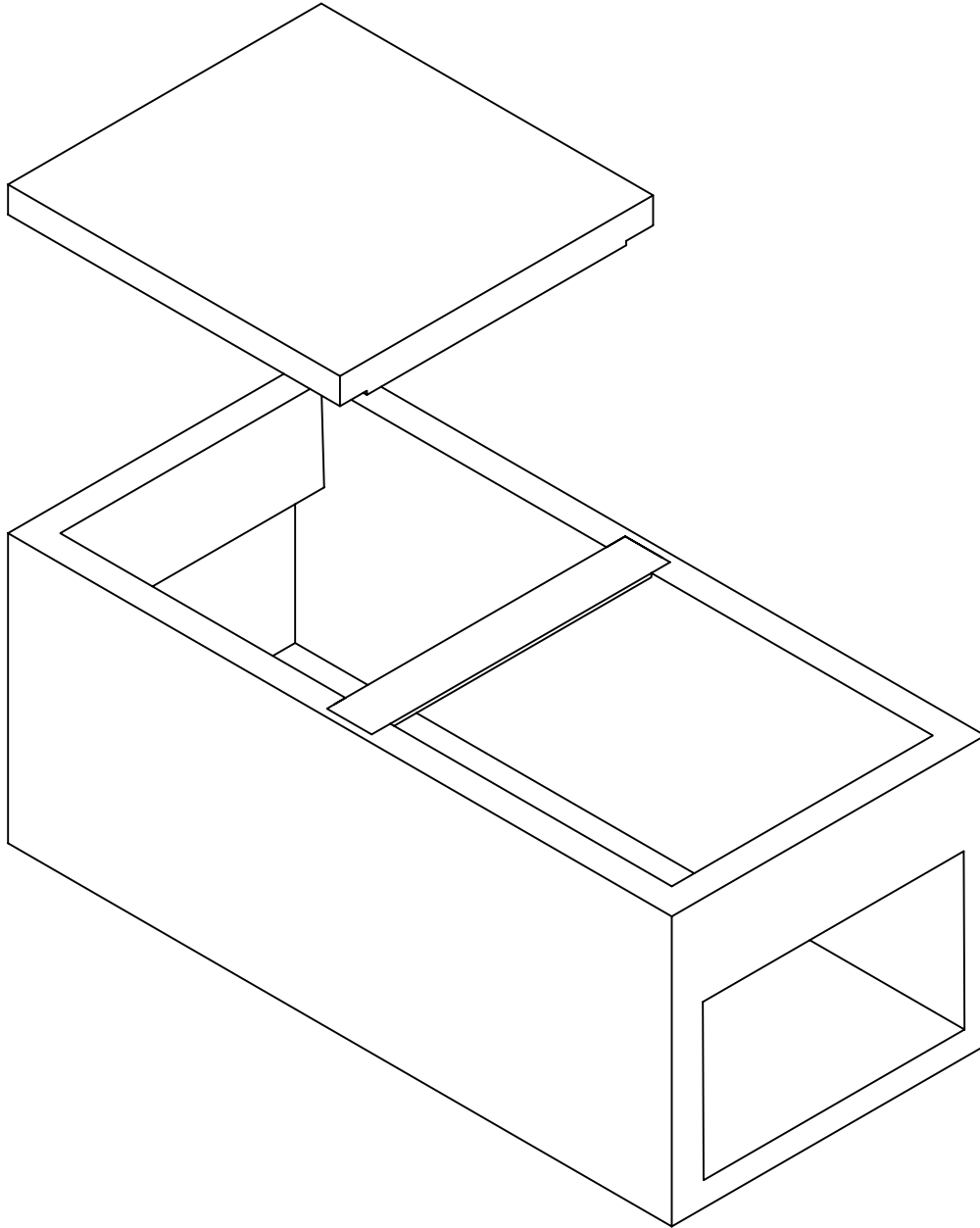
Lakelands Concrete Products, Inc.
7520 East Main St., Lima, NY 14485
Phone: 585-624-1990, Fax: 585-624-2102

Web: www.lakelandsconcrete.com
E-mail: sales@lakelandsconcrete.com

Date: 12/15/10

DWG: TP367530C

NYSE&G
Transformer Cable/Box
7'-5" x 3'-6" x 3'-0"





Lakelands Concrete Products, Inc.
 7520 East Main St., Lima, NY 14485
 Phone: 585-624-1990, Fax: 585-624-2102

Web: www.lakelandsconcrete.com
 E-mail: sales@lakelandsconcrete.com

Date: 12/15/10

DWG: TP367530C

NYSE&G
Transformer Cable/Box
 7'-5" x 3'-6" x 3'-0"

SS# 260-500-00

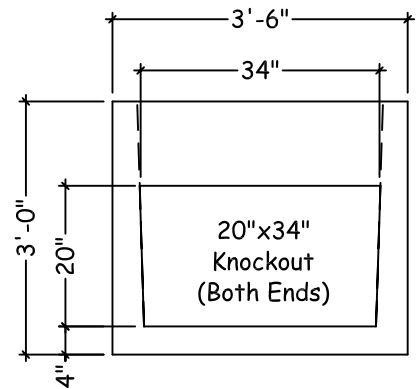
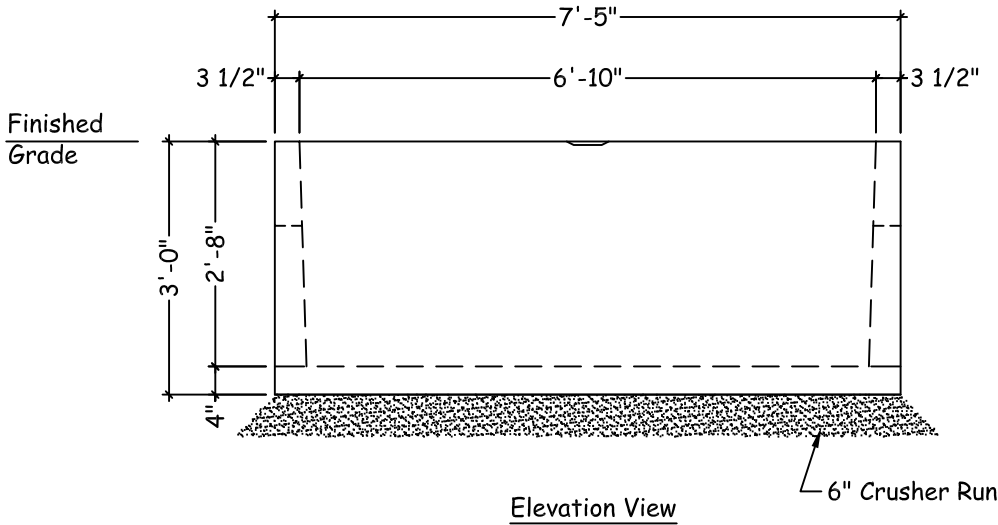
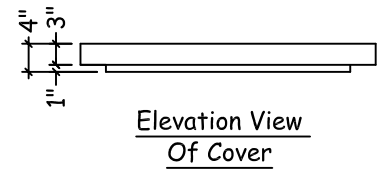
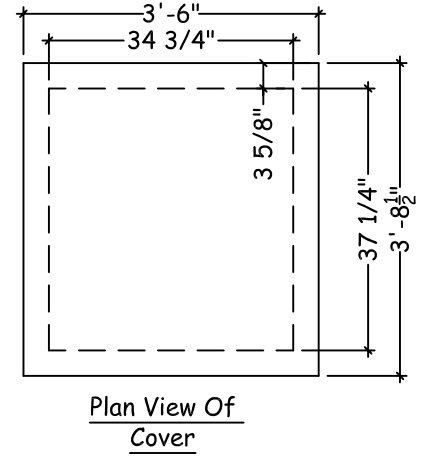
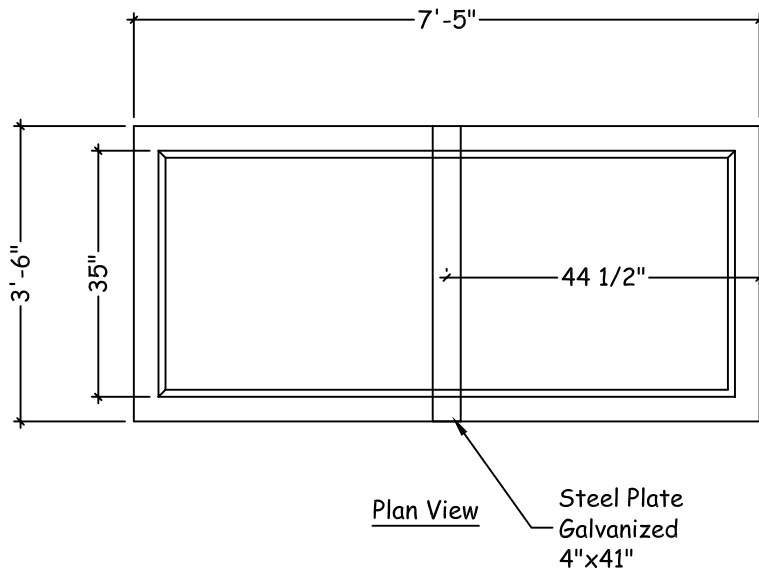
Specifications:

Design Criteria: 5000 Psi @28 Days

Entrained Air: 5% - 9%

Reinforcement: BAR-ASTM A615 GR60

WWR-ASTM A185/A497 GR65



Weights:
 Box: 400lbs
 Cover: 450lbs



Lakelands Concrete Products, Inc.
 7520 East Main St., Lima, NY 14485
 Phone: 585-624-1990, Fax: 585-624-2102

Web: www.lakelandsconcrete.com
 E-mail: sales@lakelandsconcrete.com

Date: 12/15/10

DWG: TP367530C-PAD

NYSEG Transformer Cable/Box

7'-5" x 3'-6" x 3'-0"

W/ PADS

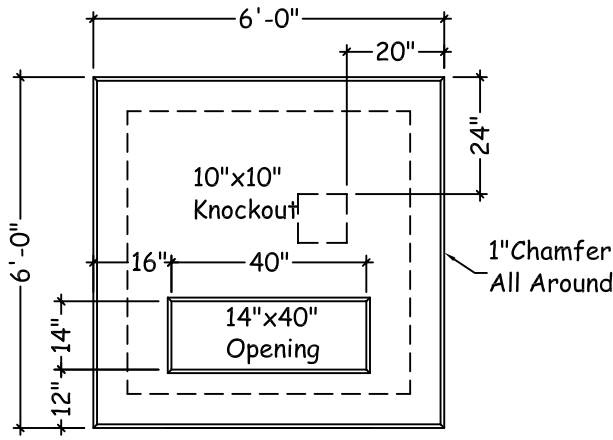
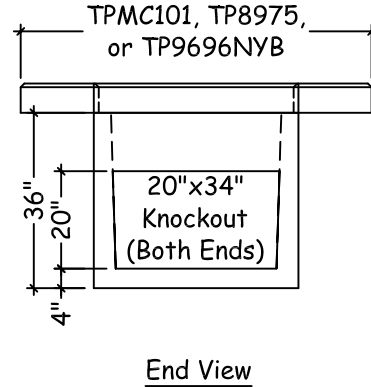
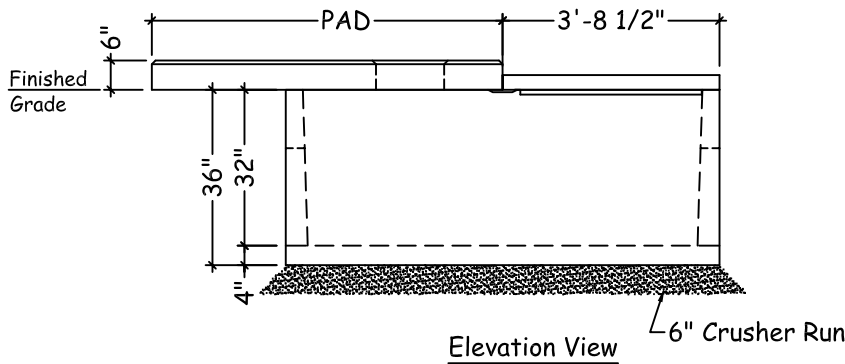
Specifications:

Design Criteria: 5000 Psi @28 Days

Entrained Air: 5% - 9%

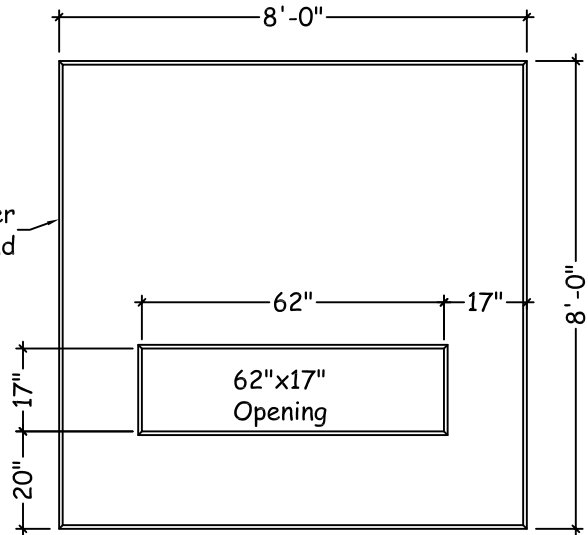
Reinforcement: BAR-ASTM A615 GR60

WWR-ASTM A185/A497 GR65

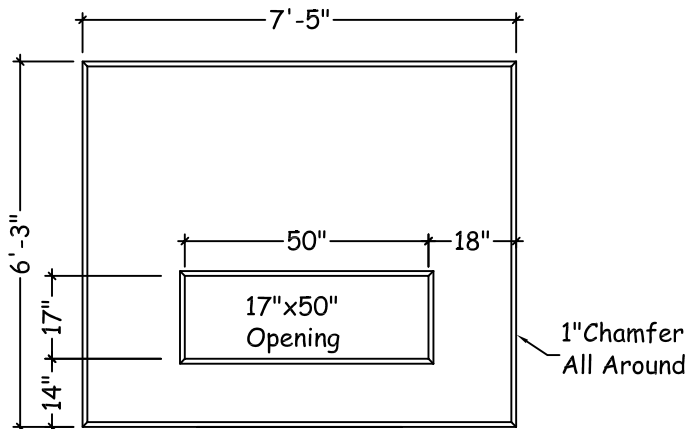


NYSEG SS# 262-776-00

1" Chamfer
 All Around



NYSEG SS# 262-792-00



NYSEG SS# 262-781-00

Weights:

Box: 4000lbs

Cover: 450lbs

TPMC101: 2370lbs

TP8975: 3100lbs

TP9696NYB: 4300lbs