



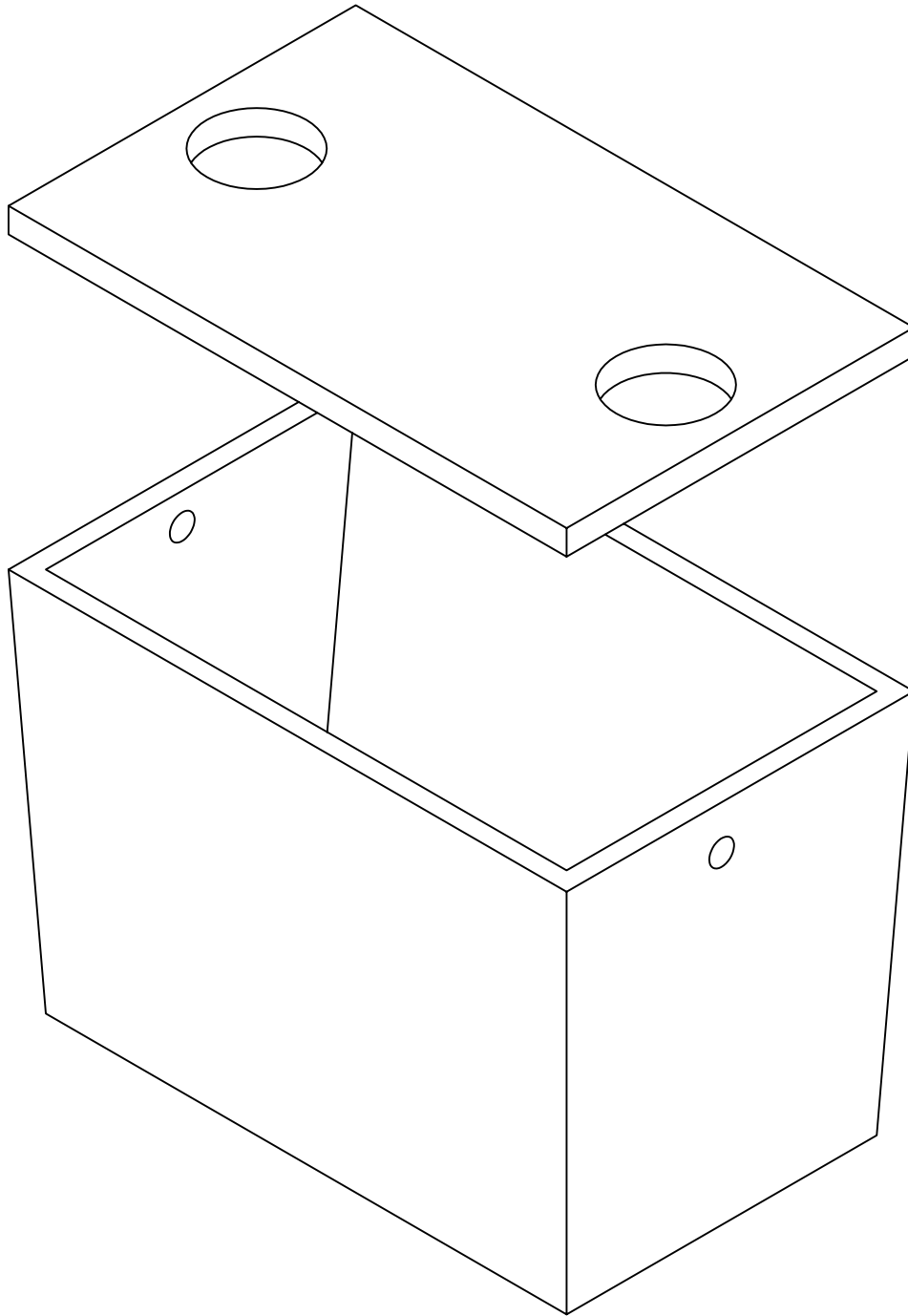
Lakelands Concrete Products, Inc.  
7520 East Main St., Lima, NY 14485  
Phone: 585-624-1990, Fax: 585-624-2102

Web: [www.lakelandsconcrete.com](http://www.lakelandsconcrete.com)  
E-mail: [sales@lakelandsconcrete.com](mailto:sales@lakelandsconcrete.com)

Date: 12/14/10

DWG: ST400

Septic Tank  
400 Gallon





Lakelands Concrete Products, Inc.  
 7520 East Main St., Lima, NY 14485  
 Phone: 585-624-1990, Fax: 585-624-2102

Web: www.lakelandsconcrete.com  
 E-mail: sales@lakelandsconcrete.com

Date: 12/14/10

DWG: ST400

Septic Tank  
 400 Gallon

ST400  
 ST400C

Specifications:

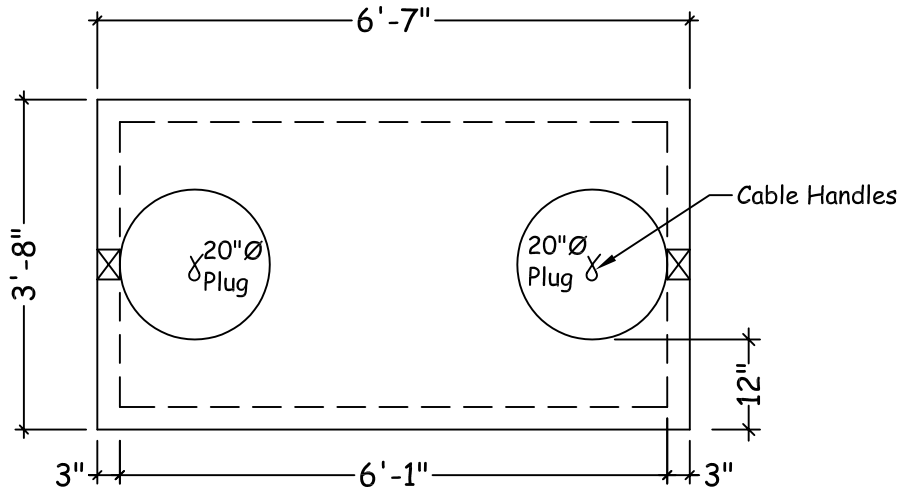
Design Criteria: 5000 Psi @28 Days

Entrained Air: 5% - 9%

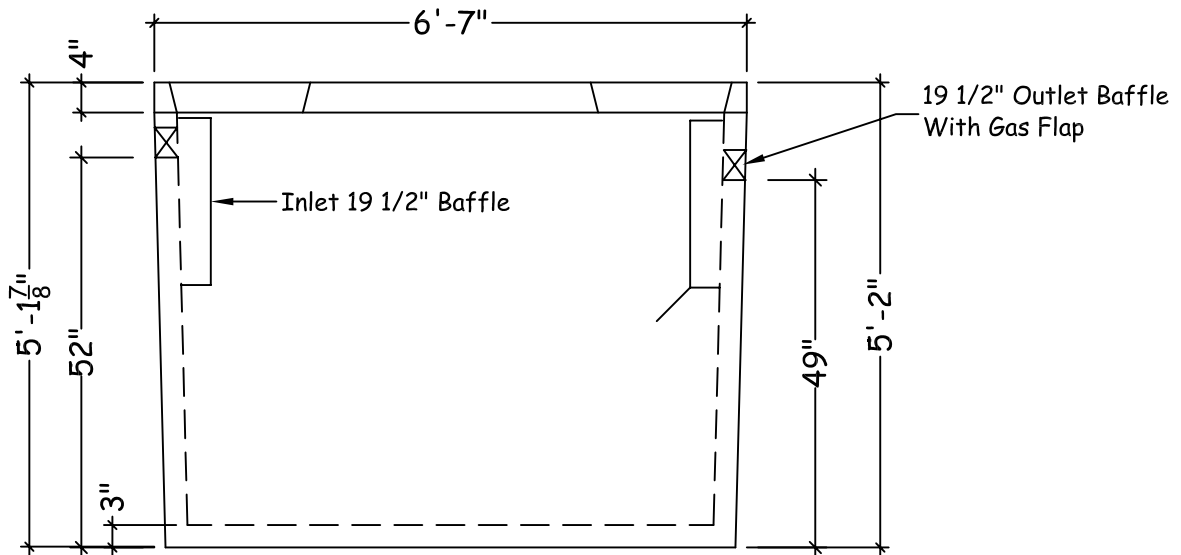
Design Loading: 300 PSF

Reinforcement: BAR-ASTM A615 GR60

WWR-ASTM A185/A497 GR65



Plan View



Elevation View

Weights:	
Cover:	1210lbs
Tank:	3870lbs