



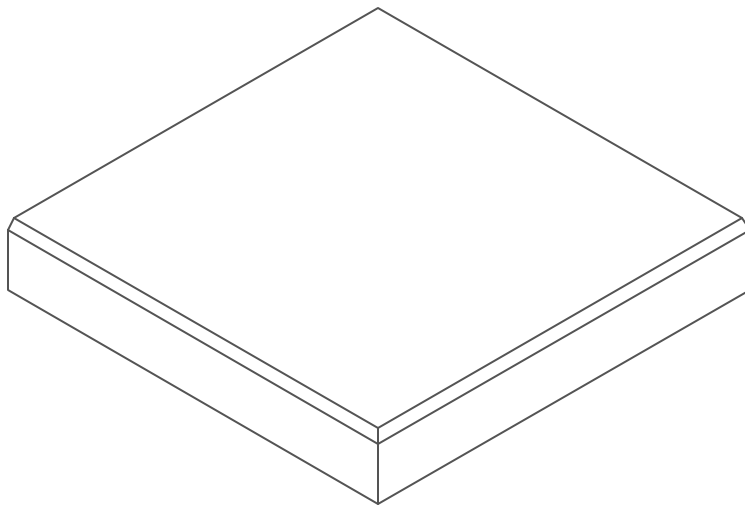
Lakelands Concrete Products, Inc.
7520 East Main St., Lima, NY 14485
Phone: 585-624-1990, Fax: 585-624-2102

Web: www.lakelandsconcrete.com
E-mail: sales@lakelandsconcrete.com

Date: 2/2/01

DWG: SP-MK

Markers
2'-0" x 2'-0" x 4"





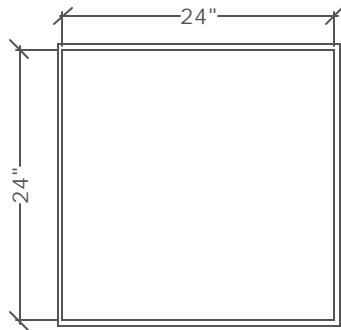
Lakelands Concrete Products, Inc.
7520 East Main St., Lima, NY 14485
Phone: 585-624-1990, Fax: 585-624-2102

Web: www.lakelandsconcrete.com
E-mail: sales@lakelandsconcrete.com

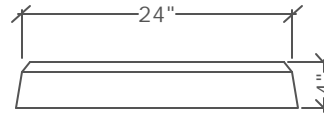
Date: 2/2/01

DWG: SP-MK

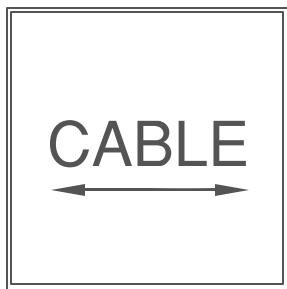
Markers
2'-0" x 2'-0" x 4"



PLAN VIEW



ELEVATION VIEW



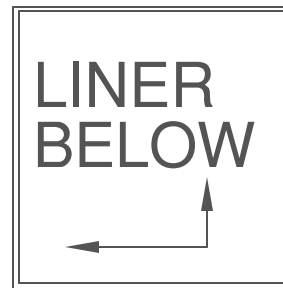
MK-Cable



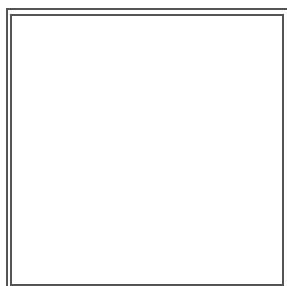
MK-Duct



MK-Splice



MK-Liner Below



MK-As Required

Weights:
Marker: 220#