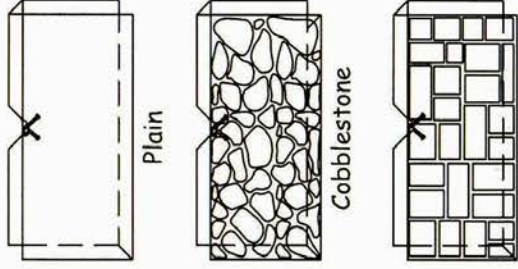
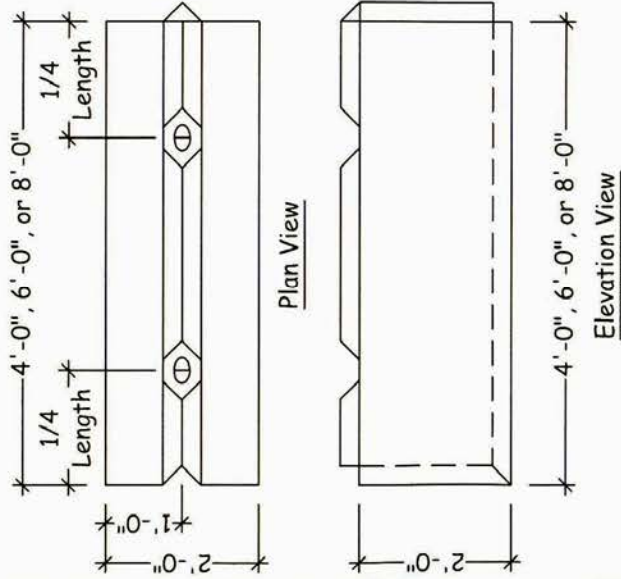
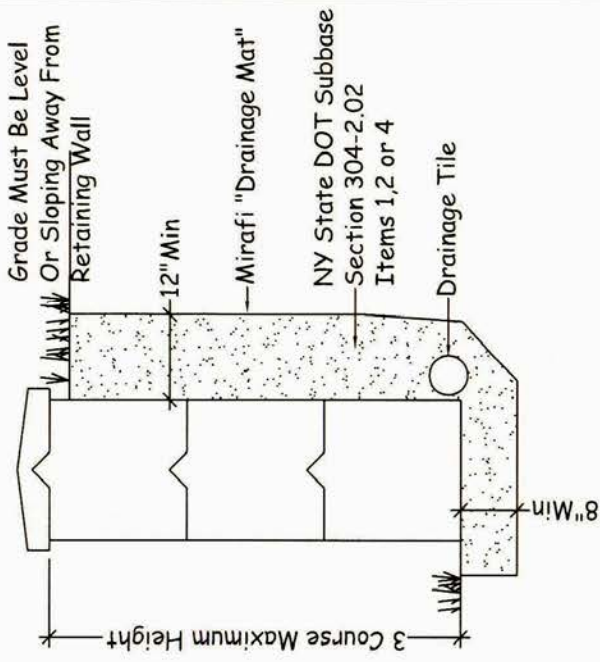


Standard Landscape (Retaining Wall) Blocks



Standard Formliners



General Notes:

- Blocks Are Available With "Smooth Gray Finish" And "Stone Formliner Finish"
 1A. Other Finishes And Formliners Are Available At An Additional Cost
 2. The Male Keyway Can Be Removed To End A Wall With A Smooth End
 2A. Formliners Can Be Placed On The Ends
 2B. Male Keyway Can Point Left Or Right Direction
- Ends Can Be Produced At A 45 Degree Angle For Making Corners

Installation Detail

Note: Blocks Must Be Well-Drained

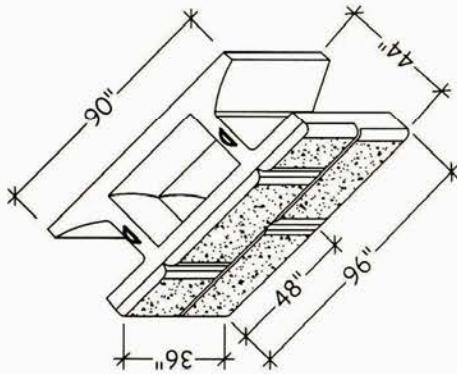
Specifications:
 Design Criteria: 4000 Psi @28 Days
 Entrained Air: 5% - 9%
 Reinforcement: BAR-ASTM A615 GR60
 WWR-ASTM A185/A497 GR65

Stone Strong Retaining Wall System

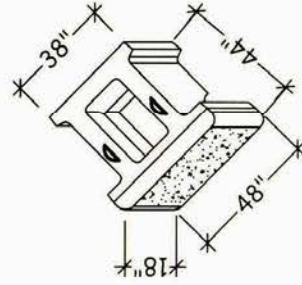
Stone Strong Retaining Wall Blocks Are Designed To Reach Heights Of 9-12 Feet Without GeoGrid Or Soil Reinforcement (Depending On Site And Soil Condition) And With Proper Engineering Can Reach Heights Of 40 Feet.

Being The Blocks Are Voided There Is No Drainage System To Install. This Is The Only Wall System With A Built-In Drainage System Requiring No Additional Parts And Labor.

Due To Their Size Stone Strong Blocks Dramatically Reduce Labor Costs. Manual Labor Is Replaced By A Small Crew And A Few Pieces Of Equipment. An Experienced Crew Of 3 Workers Can Easily Install 1300 Square Feet A Day.



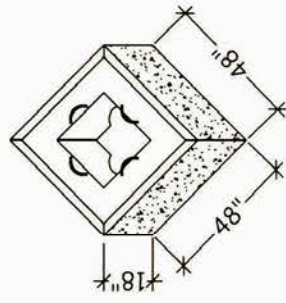
24 SF Standard Block



6 SF Standard Block



3 SF Standard Block



90° Corner Block

Note: We Have Caps Available.

For Further Information Please Call Lakelands Concrete Products Or Visit StoneStrong.com For Downloads And Information.