



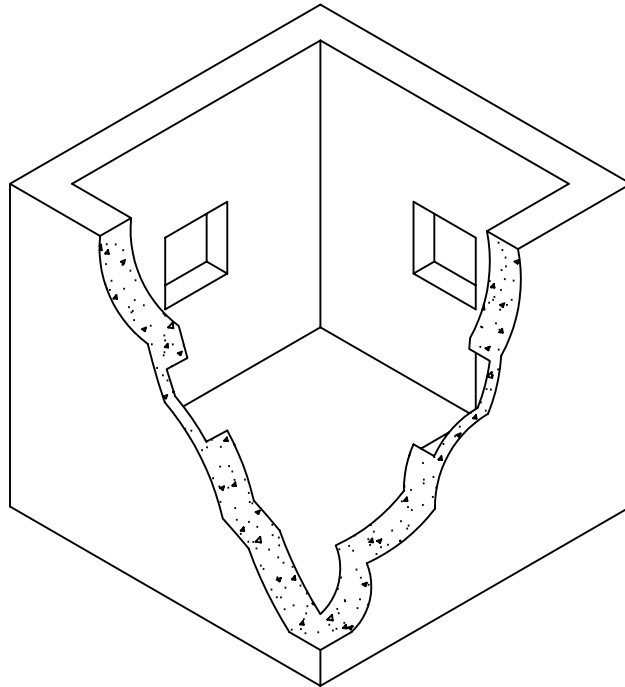
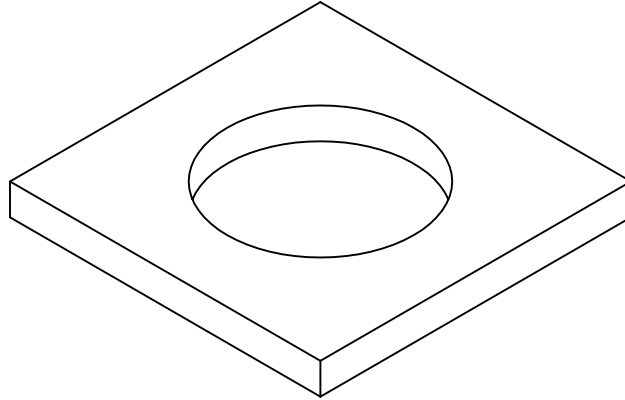
Lakelands Concrete Products, Inc.
7520 East Main St., Lima, NY 14485
Phone: 585-624-1990, Fax: 585-624-2102

Web: www.lakelandsconcrete.com
E-mail: sales@lakelandsconcrete.com

Date: 8/31/09

DWG: PB444-CAT

Stock Pullbox
4'-0" x 4'-0" x 4'-0"





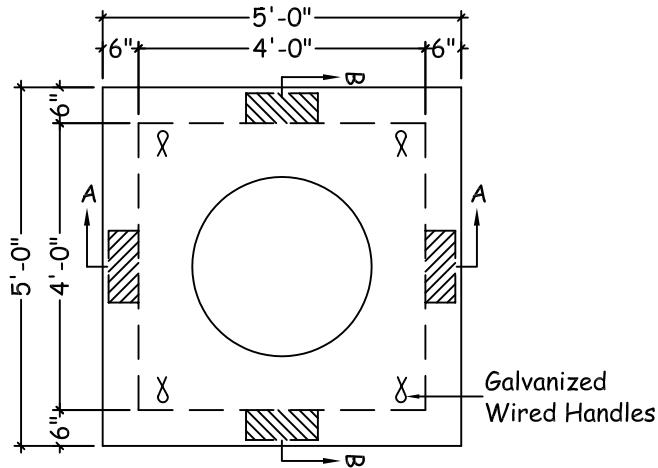
Lakelands Concrete Products, Inc.
7520 East Main St., Lima, NY 14485
Phone: 585-624-1990, Fax: 585-624-2102

Web: www.lakelandsconcrete.com
E-mail: sales@lakelandsconcrete.com

Date: 8/31/09

DWG: PB444-CAT

Stock Pullbox
4'-0" x 4'-0" x 4'-0"



Plan View

Specifications:

Design Criteria: 5000 Psi @28 Days

Entrained Air: 5% - 9%

Design Loading: AASHTO HS20-44 With
Less Than 2'-0" Earth Cover

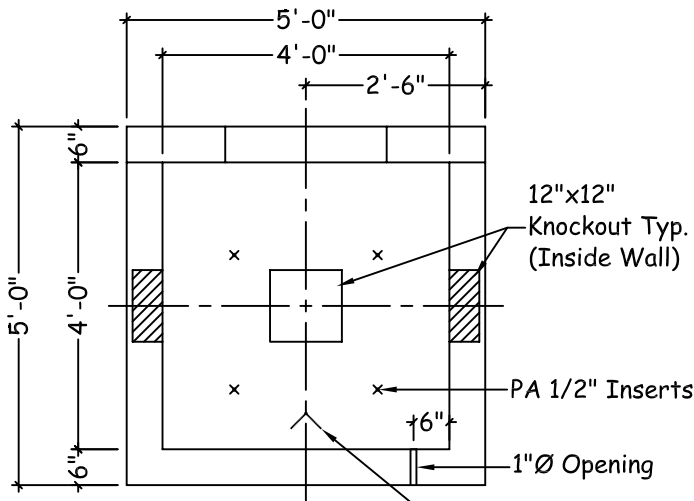
Reinforcement: BAR-ASTM A615 GR60
WWR-ASTM A185/A497 GR65

Notes:

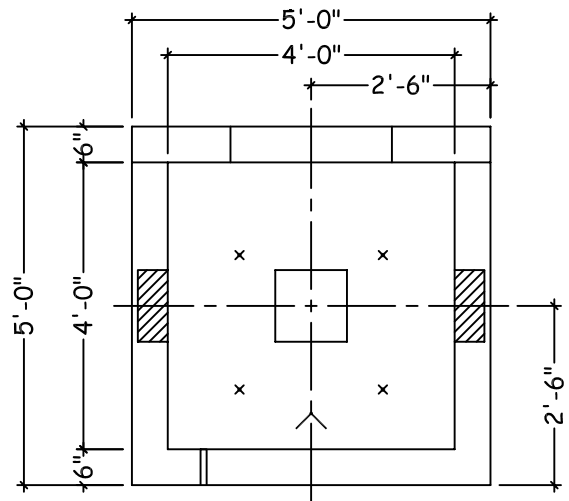
*Concrete Cover Available With Various Size
Openings

*Various Size Knockouts Or Openings As
Required

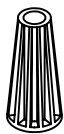
*Cast Iron Frame And Covers Available



Section View 'A'



Section View 'B'



Pennsylvania Inserts

- 1/2" Bolt Diameter
- Stops Corrosion
- 2 1/2" Bolt Embedment Depth
- Work Load Strength Of 1,260lbs



Bowco Insert Pulling Iron

- Noncorrosive
- Seven Strand, 1/2"Ø, With An
Ultimate Strength Of 270,000 psi
- Encapsulated By A Rustproof Sleeve
That Slips Over The Steel Rope At
The Hooking Point

Weights:

Box: 7025lbs
Cover: 1510lbs