



Lakelands Concrete Products, Inc.
7520 East Main St., Lima, NY 14485
Phone: 585-624-1990, Fax: 585-624-2102

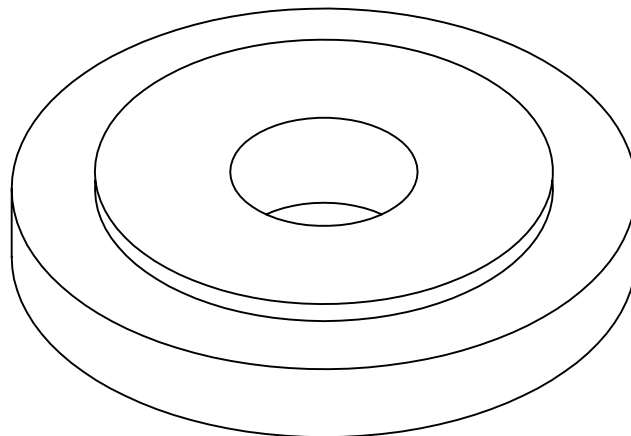
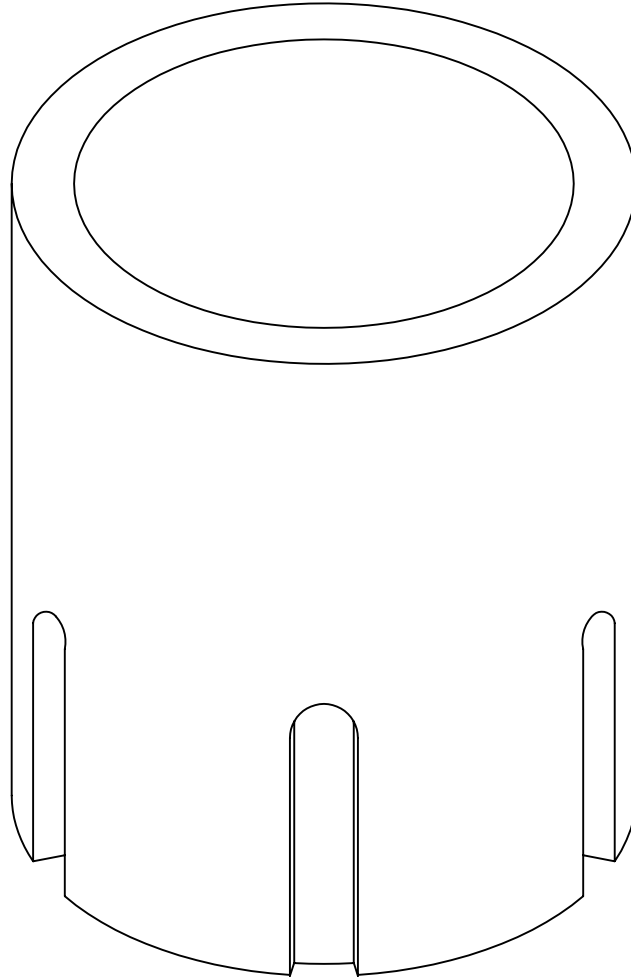
Web: www.lakelandsconcrete.com
E-mail: sales@lakelandsconcrete.com

Date: 12/10/10

DWG: PB24D36

Stock Pullbox
24"Ø x 36"

PB24D36
PB24D36B





Lakelands Concrete Products, Inc.
 7520 East Main St., Lima, NY 14485
 Phone: 585-624-1990, Fax: 585-624-2102

Web: www.lakelandsconcrete.com
 E-mail: sales@lakelandsconcrete.com

Date: 12/10/10

DWG: PB24D36

Stock Pullbox
 24"Ø x 36"

PB24D36
 PB24D36B

Specifications:

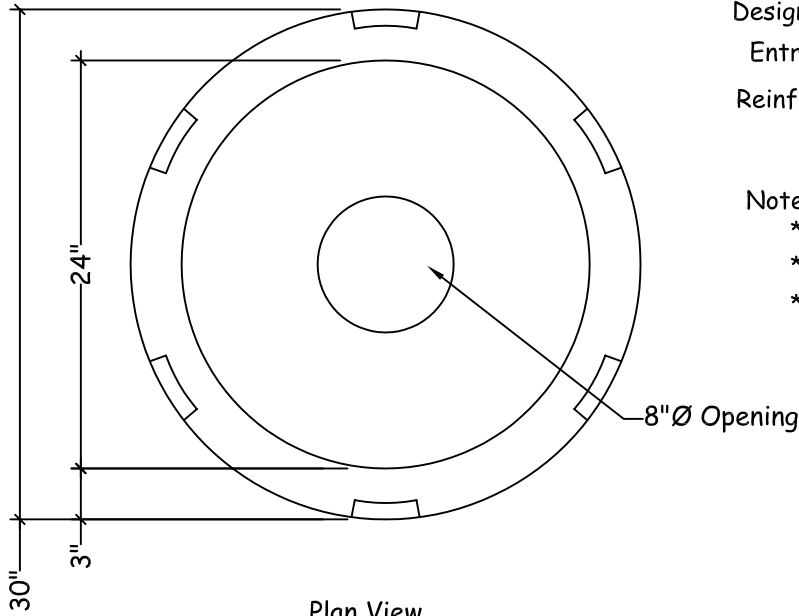
Design Criteria: 5000 Psi @28 Days

Entrained Air: 5% - 9%

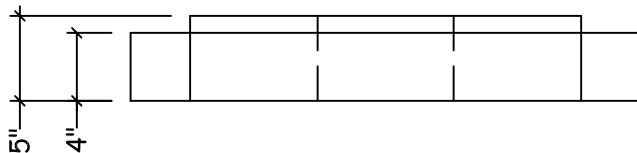
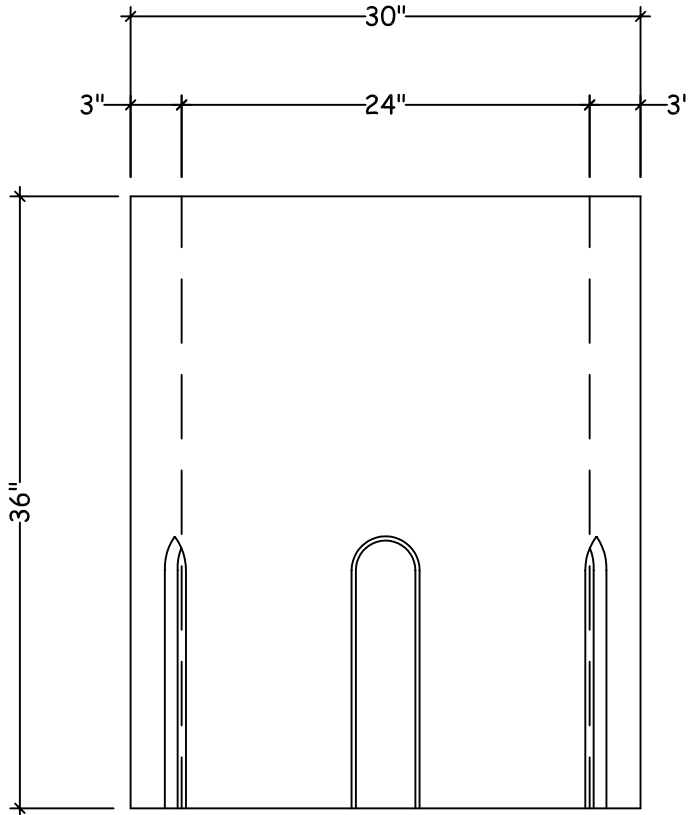
Reinforcement: BAR-ASTM A615 GR60
 WWR-ASTM A185/A497 GR65

Notes:

- *Cast Iron Frame And Covers Available
- *Meets NYSDOT Item #680.510301
- *Knockouts Taper From 4 1/2" To 4"



Plan View



Elevation View

Weights:
 Box: 790lbs
 Base: 300lbs