



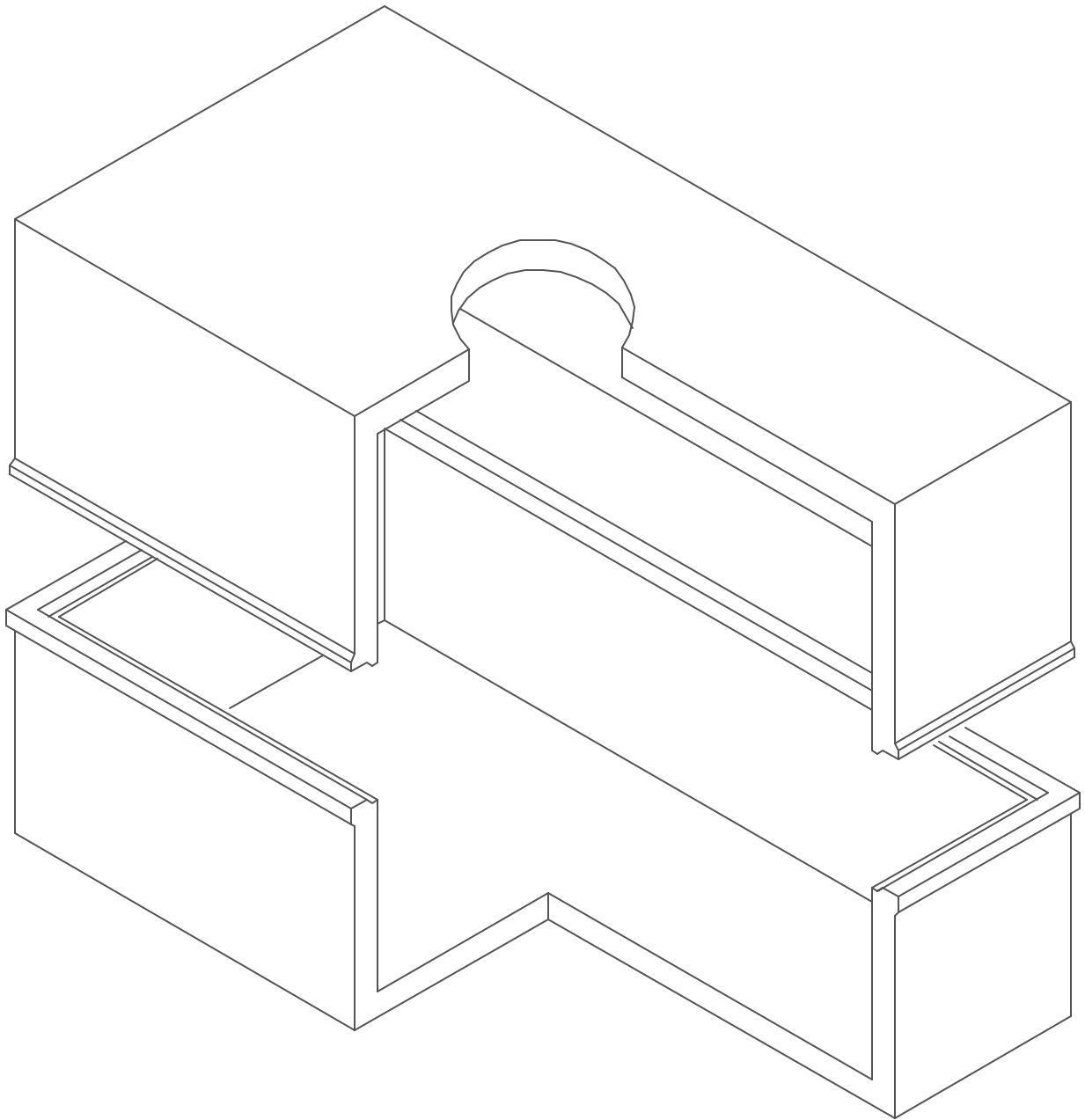
Lakelands Concrete Products, Inc.
7520 East Main St., Lima, NY 14485
Phone: 585-624-1990, Fax: 585-624-2102

Web: www.lakelandsconcrete.com
E-mail: sales@lakelandsconcrete.com

Date: 2/2/01

DWG: MH38Y

Manhole 38Y
6'-0" x 12'-0"





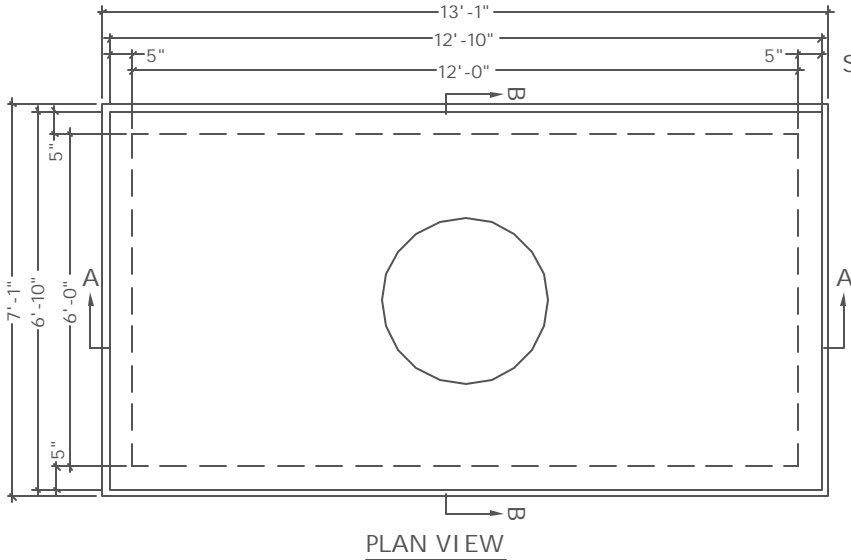
Lakelands Concrete Products, Inc.
 7520 East Main St., Lima, NY 14485
 Phone: 585-624-1990, Fax: 585-624-2102

Web: www.lakelandsconcrete.com
 E-mail: sales@lakelandsconcrete.com

Date: 2/2/01

DWG: MH38Y

Manhole 38Y
 6'-0" x 12'-0"



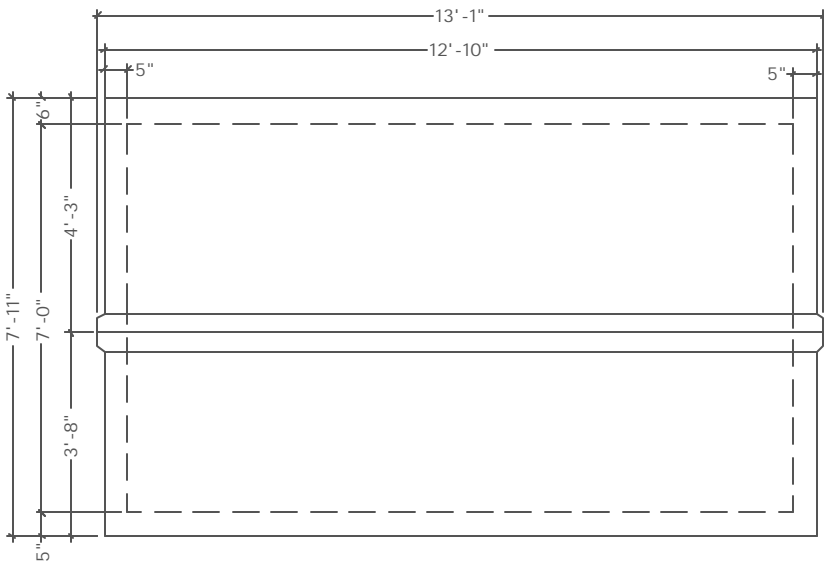
PLAN VIEW

Specifications:

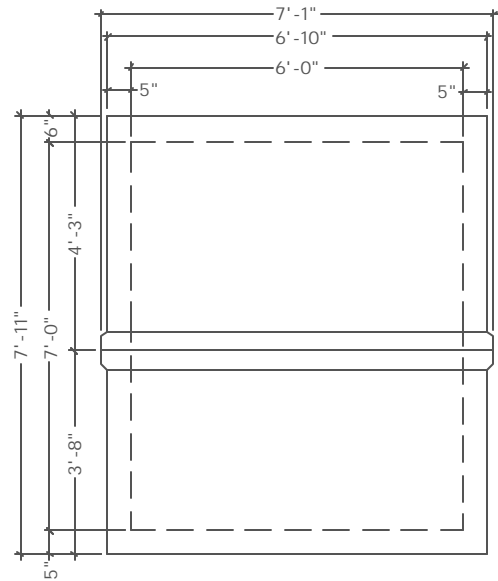
Concrete: 5000psi @ 28 Days
 Entrained Air: 5% - 9%
 Design Load: AASHTO HS20
 Reinforcing: fy= 60,000psi ASTM A615

Notes:

- *Concrete Cover Available With Various Size Openings
- *Various Size Knockouts Or Openings As Required
- *Cast Iron Frame And Covers Available
- *Side Sections Are Adjustable. Manhole Can Be Ordered In Various Heights



SECTION VIEW 'A'



SECTION VIEW 'B'

Weight

Top: 16,800#
 Bottom: 14,100#