



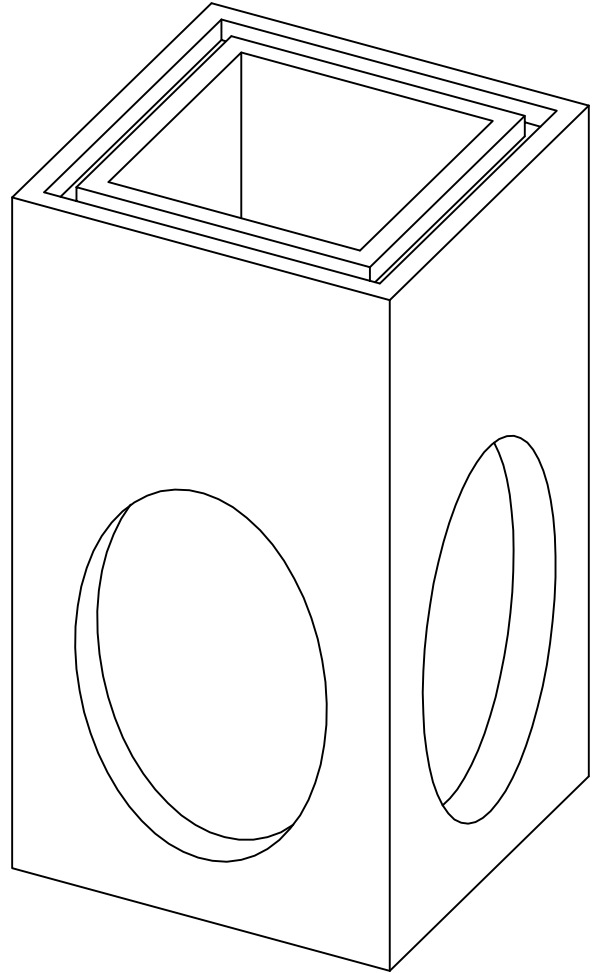
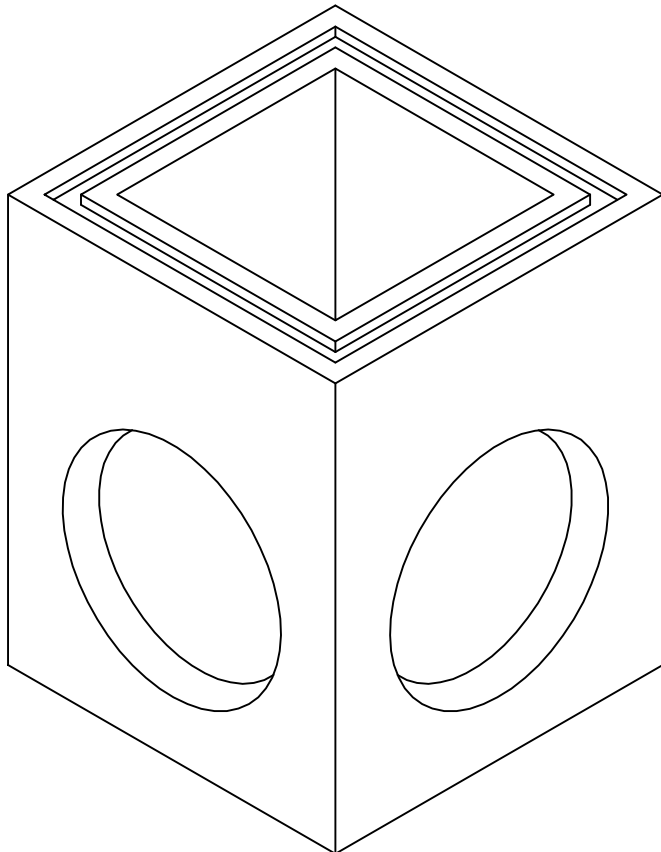
Lakelands Concrete Products, Inc.  
7520 East Main St., Lima, NY 14485  
Phone: 585-624-1990, Fax: 585-624-2102

Web: [www.lakelandsconcrete.com](http://www.lakelandsconcrete.com)  
E-mail: [sales@lakelandsconcrete.com](mailto:sales@lakelandsconcrete.com)

Date: 12/16/10

DWG: CB2424

Catch Basins  
2'-0" x 2'-0" x Varies





Lakelands Concrete Products, Inc.  
 7520 East Main St., Lima, NY 14485  
 Phone: 585-624-1990, Fax: 585-624-2102

Web: www.lakelandsconcrete.com  
 E-mail: sales@lakelandsconcrete.com

Date: 12/16/10

DWG: CB2424

**Catch Basins**  
 2'-0" x 2'-0" x Varies

**Specifications:**

Design Criteria: 5000 Psi @28 Days

Entrained Air: 5% - 9%

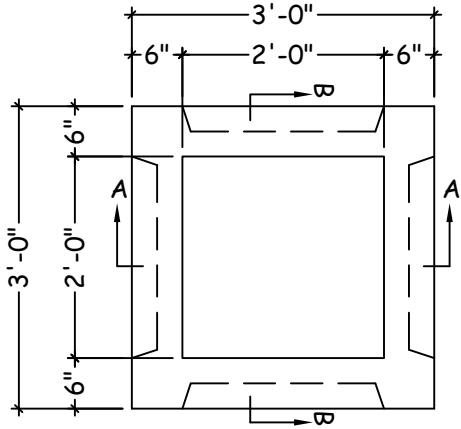
Design Loading: AASHTO HS20-44 With  
 Less Than 2'-0" Earth Cover

Reinforcement: BAR-ASTM A615 GR60  
 WWR-ASTM A185/A497 GR65

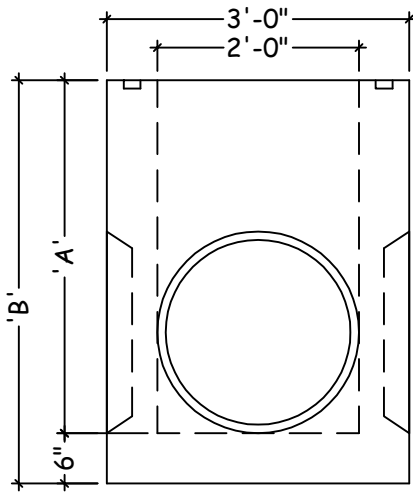
\*Various Size Knockouts Or Openings as Required

\*Cast Iron Frame And Grates Available

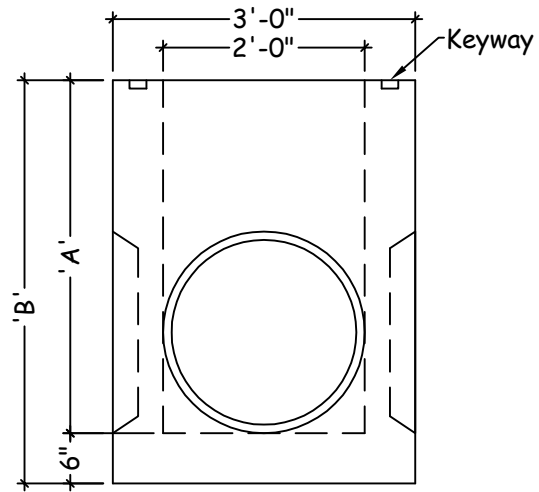
\*Concrete Risers Available



Plan View



Elevation View 'A'



Elevation View 'B'

Model No.	A	B	Weight	Model No.	A	B	Weight	*24" (ID) Depth Has 18"Ø Knockouts  *48" & 60" (ID) Depth Have 24"x36" Oval Knockouts
CB242424	24"	30"	2175 LBS	CB242442	42"	48"	3300 LBS	
CB242430	30"	36"	2550 LBS	CB242448	48"	54"	3675 LBS	
CB242436	36"	42"	2925 LBS	CB242460	60"	66"	4425 LBS	