



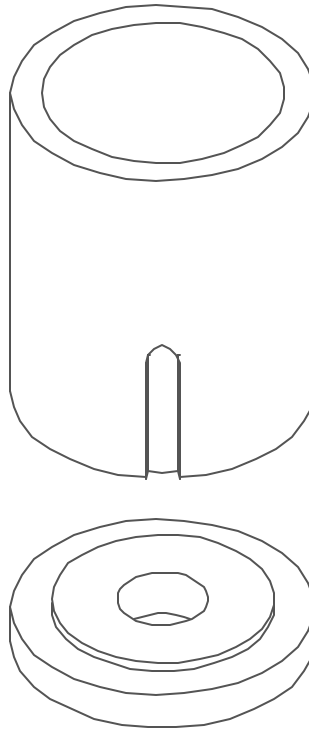
Lakelands Concrete Products, Inc.
7520 East Main St., Lima, NY 14485
Phone: 585-624-1990, Fax: 585-624-2102

Web: www.lakelandsconcrete.com
E-mail: sales@lakelandsconcrete.com

Date: 2/2/01

DWG: PB18D36

Pullbox
18" Diameter x 36" Deep
With Bottom





Lakelands Concrete Products, Inc.
 7520 East Main St., Lima, NY 14485
 Phone: 585-624-1990, Fax: 585-624-2102

Web: www.lakelandsconcrete.com
 E-mail: sales@lakelandsconcrete.com

Date: 2/2/01

DWG: PB18D36

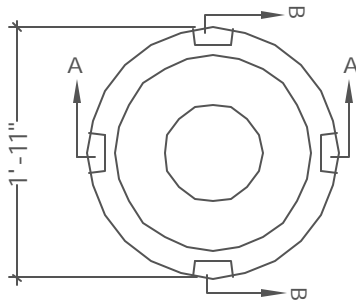
Pullbox
 18" Diameter x 36" Deep
 With Bottom

Specifications:

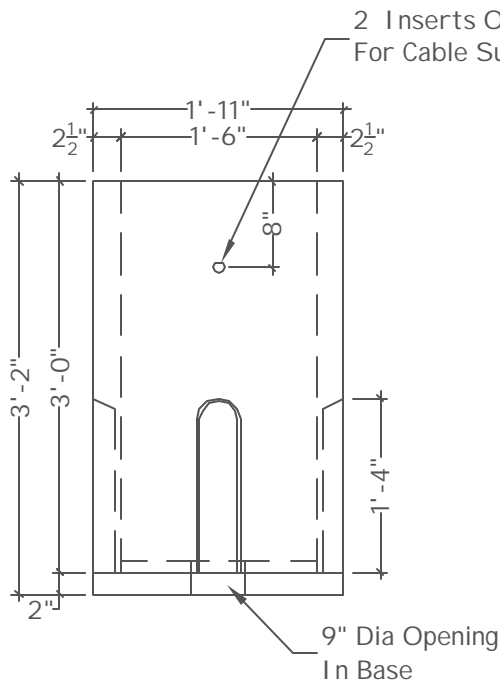
Concrete: 5000psi @ 28 Days
 Entrained Air: 5% - 9%
 Design Load: AASHTO HS20
 Reinforcing: $f_y = 60,000\text{psi}$ ASTM A615

Notes:

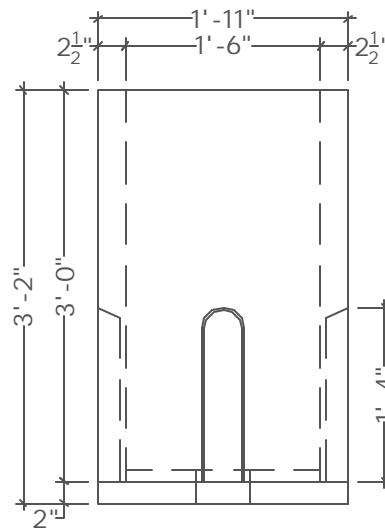
- *Cast I Iron Frame And Covers Available
- *Meets NYSDOT Item # 680.510201
- *Knockouts Taper 4 1/2" To 4"



PLAN VIEW



SECTION VIEW 'A'



SECTION VIEW 'B'

Weights:
 Box: 500#
 Base: 100#