

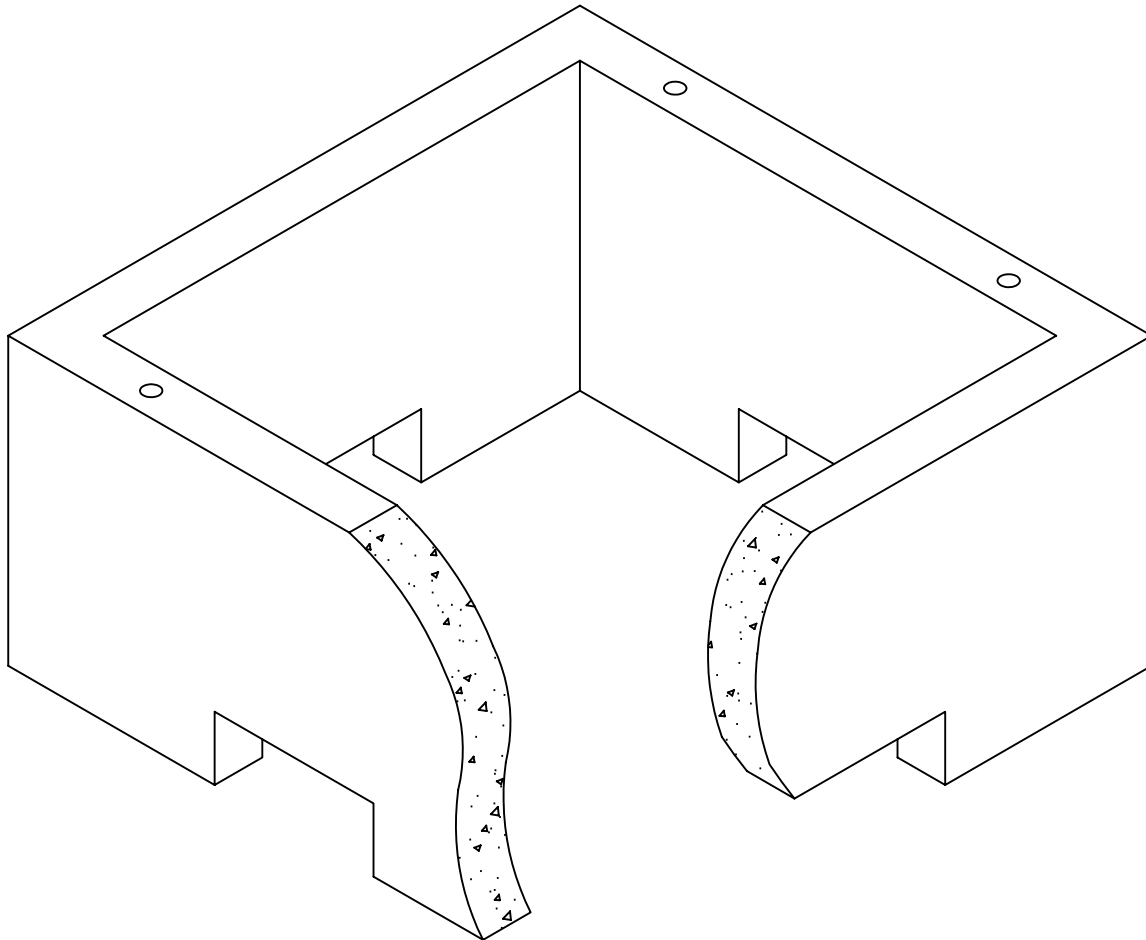


Lakelands Concrete Products, Inc.
7520 East Main St., Lima, NY 14485
Phone: 585-624-1990, Fax: 585-624-2102

Web: www.lakelandsconcrete.com
E-mail: sales@lakelandsconcrete.com

Date: 12/15/10 DWG: TP606036

NYSE&G
Precast Transformer Vault



Weights:
Box: 4800lbs



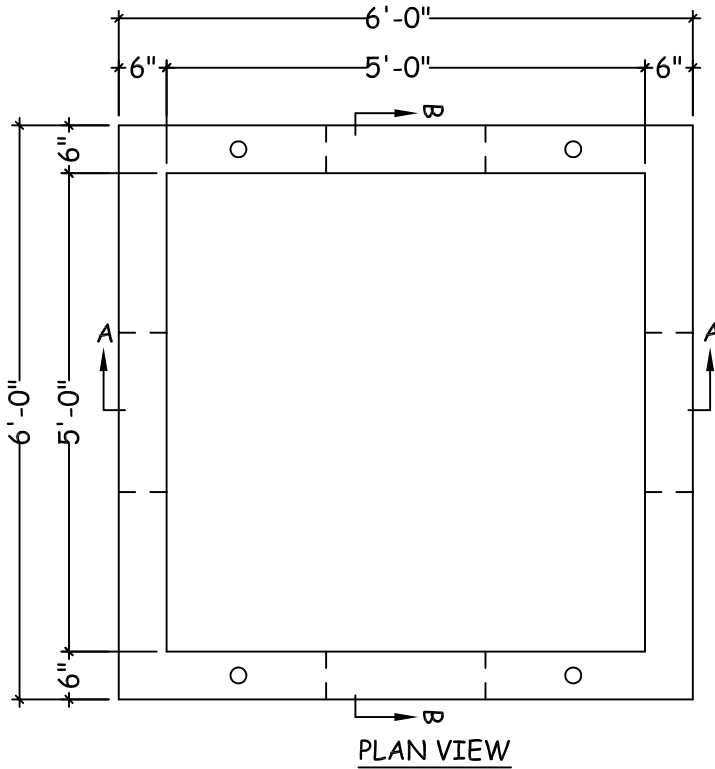
Lakelands Concrete Products, Inc.
 7520 East Main St., Lima, NY 14485
 Phone: 585-624-1990, Fax: 585-624-2102

Web: www.lakelandsconcrete.com
 E-mail: sales@lakelandsconcrete.com

Date: 12/15/10 DWG: TP606036

NYSE&G
 Precast Transformer Vault

NYSEG SS# 262-772-00

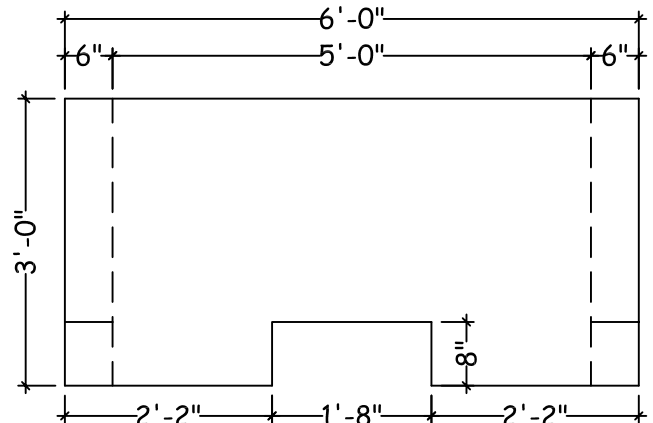
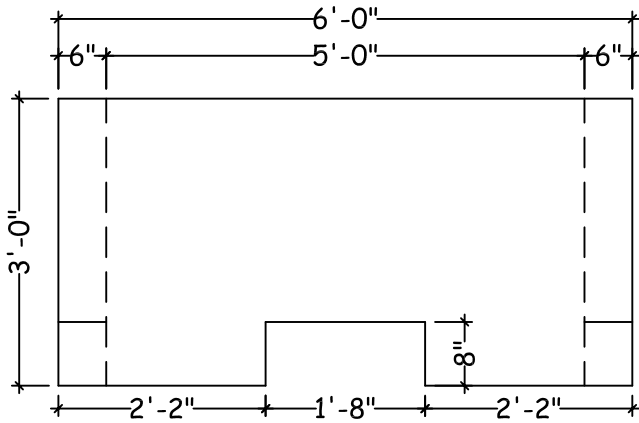


Specifications:

Design Criteria: 5000 Psi @28 Days

Entrained Air: 5% - 9%

Reinforcement: BAR-ASTM A615 GR60
 WWR-ASTM A185/A497 GR65



Weights:
 Box: 4800lbs



Lakelands Concrete Products, Inc.
 7520 East Main St., Lima, NY 14485
 Phone: 585-624-1990, Fax: 585-624-2102

Web: www.lakelandsconcrete.com
 E-mail: sales@lakelandsconcrete.com

Date: 12/15/10 DWG: TP606036-PAD

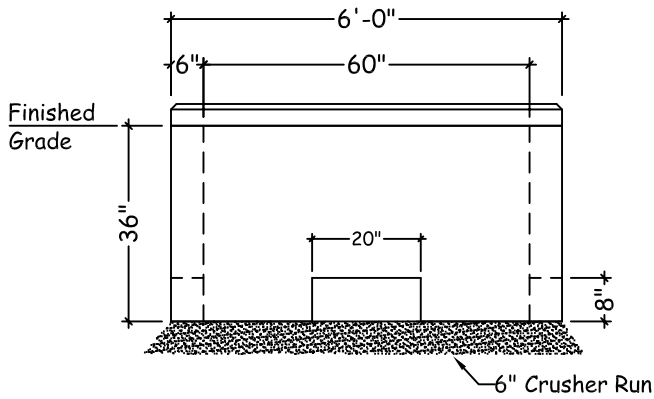
NYSE&G
 Precast Transformer
 Vault And Pads

Specifications:

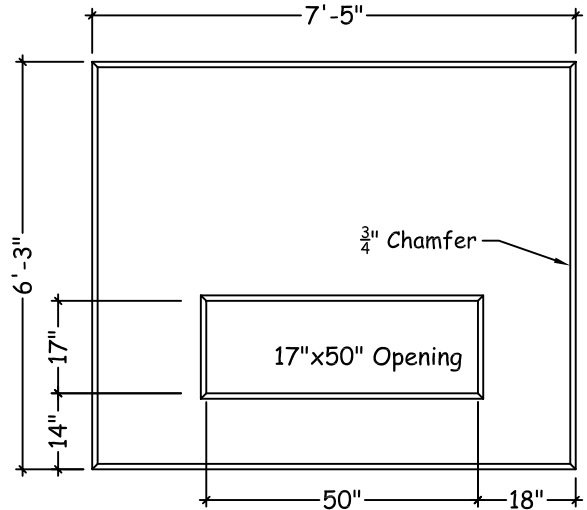
Design Criteria: 5000 Psi @28 Days

Entrained Air: 5% - 9%

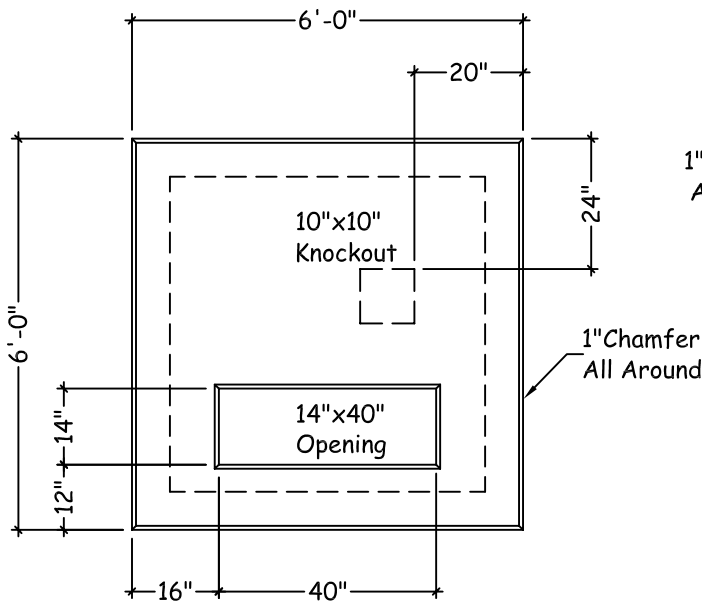
Reinforcement: BAR-ASTM A615 GR60
 WWR-ASTM A185/A497 GR65



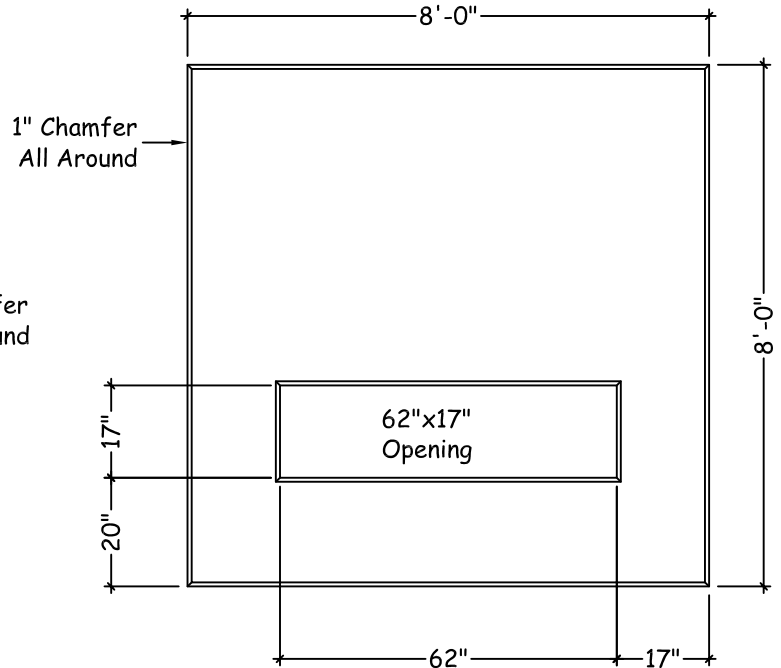
Elevation View
 TP606036
 NYSEG SS# 262-772-00
 W/ PAD



Plan View
 TP8975
 750-2500 KVA
 NYSEG SS# 262-781-00
 WT: 3100 LBS



Plan View
 TPMC101
 75-500 KVA
 NYSEG SS# 262-776-00
 WT: 2370 LBS



Plan View
 TP9696NYB
 1500-2500 KVA
 NYSEG SS# 262-792-00
 WT: 4300 LBS