



Lakelands Concrete Products, Inc.
7520 East Main St., Lima, NY 14485
Phone: 585-624-1990, Fax: 585-624-2102

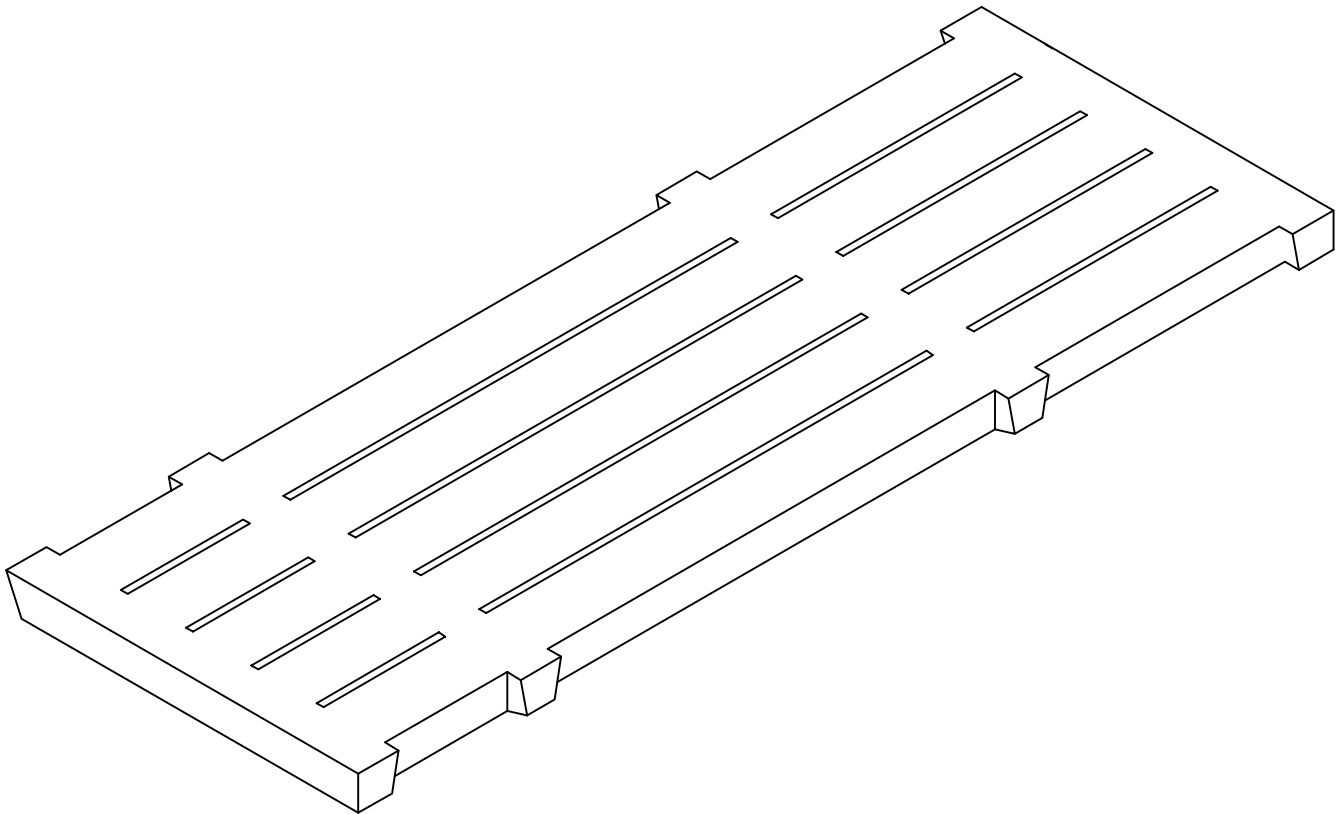
Web: www.lakelandsconcrete.com
E-mail: sales@lakelandsconcrete.com

Date: 7/5/11

DWG: AGHS

Hog Slat

AGHS





Lakelands Concrete Products, Inc.
 7520 East Main St., Lima, NY 14485
 Phone: 585-624-1990, Fax: 585-624-2102

Web: www.lakelandsconcrete.com
 E-mail: sales@lakelandsconcrete.com

Date: 7/5/11

DWG: AGHS

Hog Slats

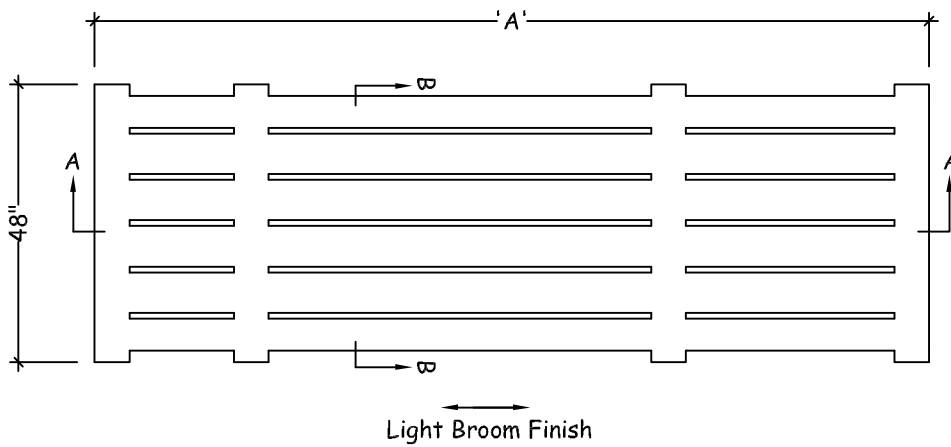
AGHS

Specifications:

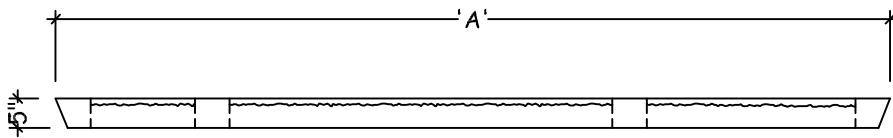
Design Criteria: 5000 Psi @28 Days

Entrained Air: 5% - 9%

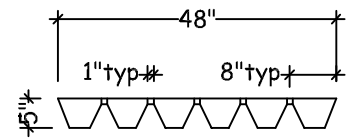
Reinforcement: BAR-ASTM A615 GR60
 WWR-ASTM A185/A497 GR65



PLAN VIEW



SECTION VIEW 'A'



SECTION VIEW 'B'

Note:
 *175 lbs Per Lineal Foot

Model No.	A	Weight
AGHS-8	8'-0"	1400#
AGHS-10	10'-0"	1750#
AGHS-12	12'-0"	2100#