



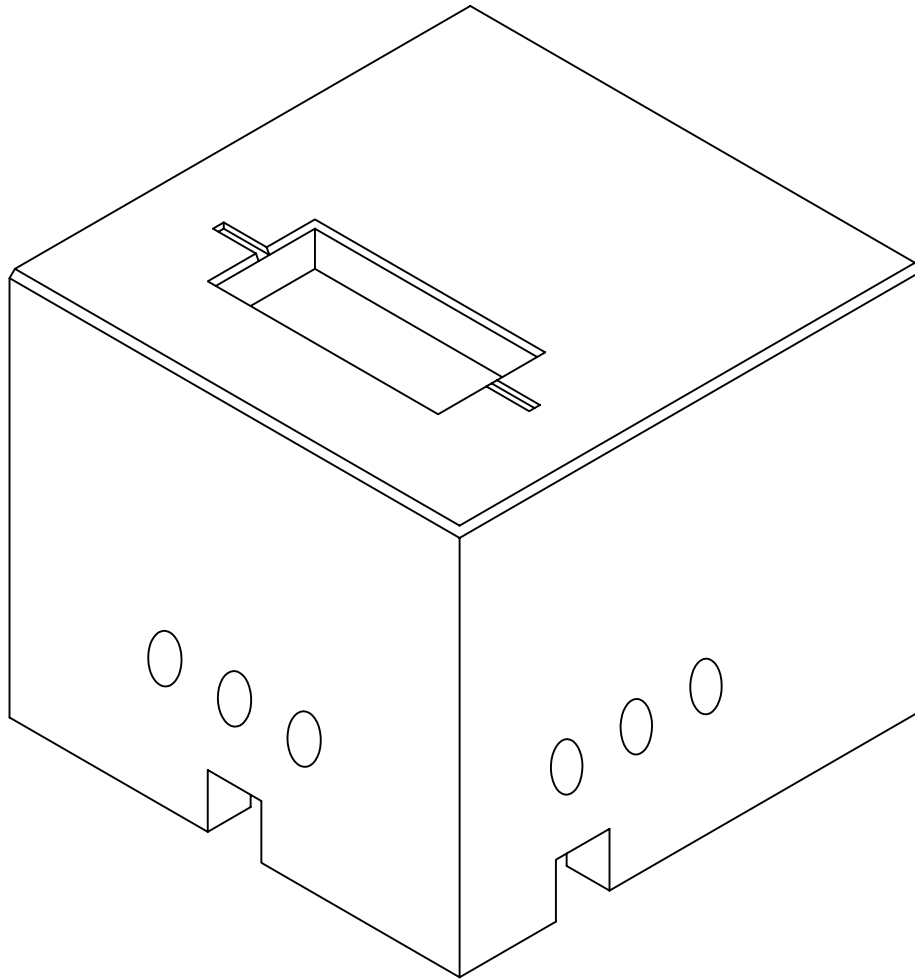
Lakelands Concrete Products, Inc.  
7520 East Main St., Lima, NY 14485  
Phone: 585-624-1990, Fax: 585-624-2102

Web: [www.lakelandsconcrete.com](http://www.lakelandsconcrete.com)  
E-mail: [sales@lakelandsconcrete.com](mailto:sales@lakelandsconcrete.com)

Date: 12/15/10

DWG: TP363730

Transformer Vault  
3'-6" x 3'-7" x 3'-0"





Lakelands Concrete Products, Inc.  
 7520 East Main St., Lima, NY 14485  
 Phone: 585-624-1990, Fax: 585-624-2102

Web: www.lakelandsconcrete.com  
 E-mail: sales@lakelandsconcrete.com

Date: 1/18/18

DWG: TP363730

**Transformer Vault**  
 3'-6" x 3'-7" x 3'-0"

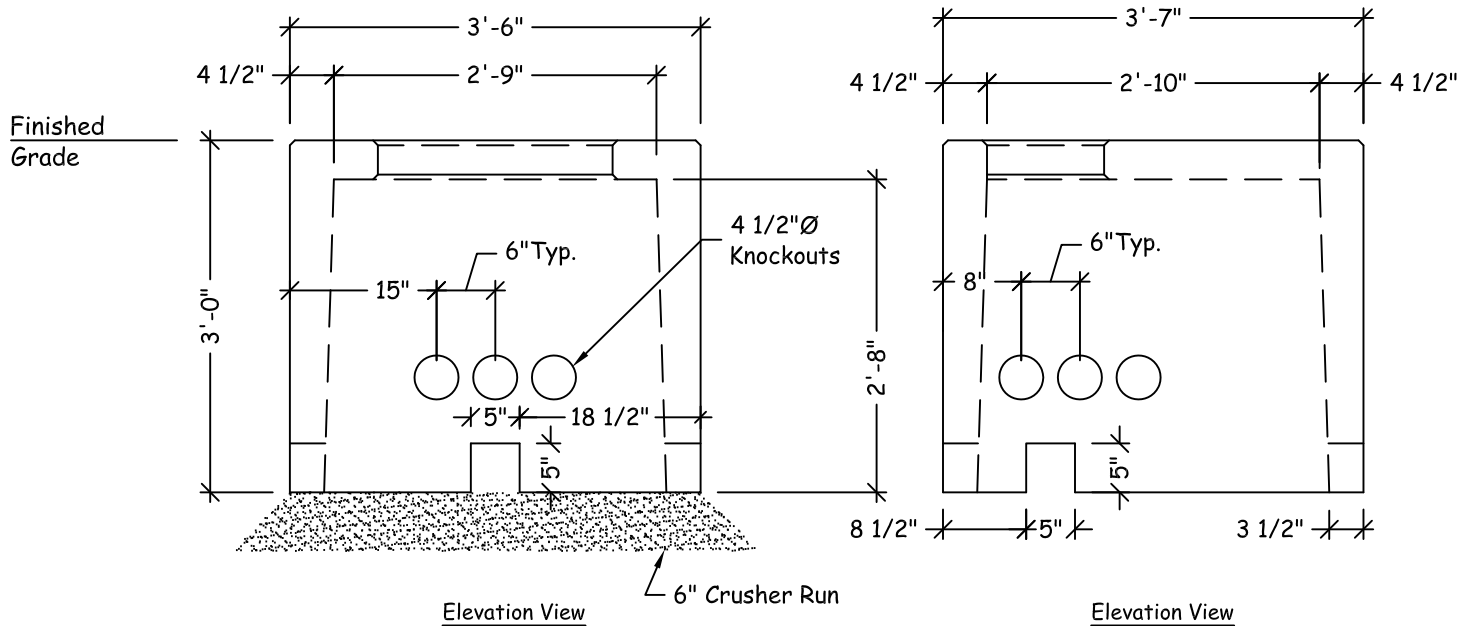
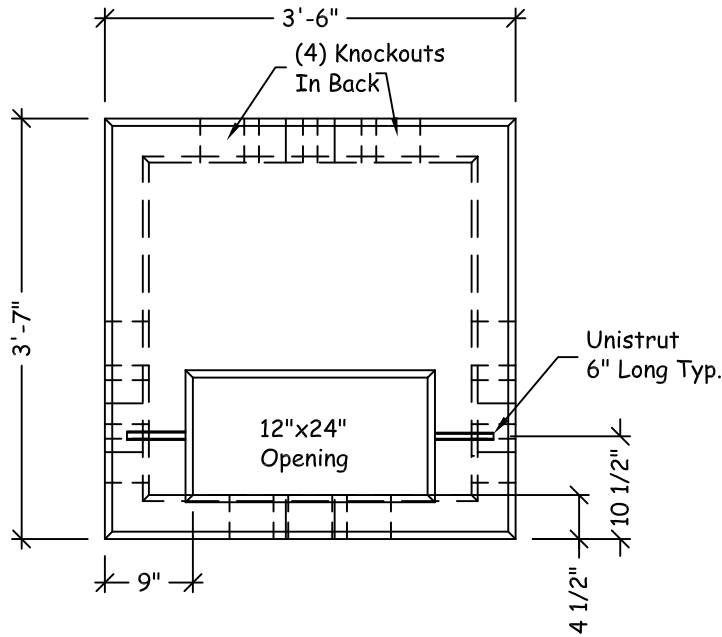
NYSEG SS# 262-801-00

**Specifications:**

Design Criteria: 5000 Psi @28 Days

Entrained Air: 5% - 9%

Reinforcement: BAR-ASTM A615 GR60  
 WWR-ASTM A185/A497 GR65



Weights:  
 Box: 2200lbs