



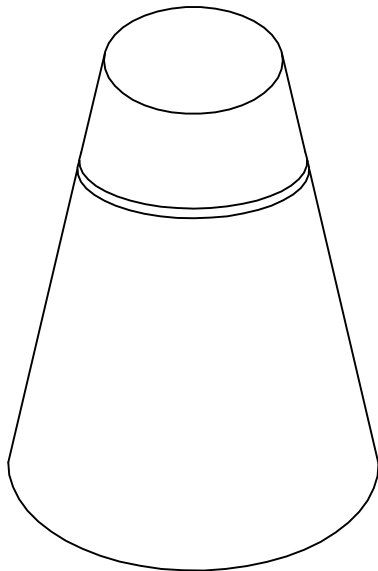
Lakelands Concrete Products, Inc.
7520 East Main St., Lima, NY 14485
Phone: 585-624-1990, Fax: 585-624-2102

Web: www.lakelandsconcrete.com
E-mail: sales@lakelandsconcrete.com

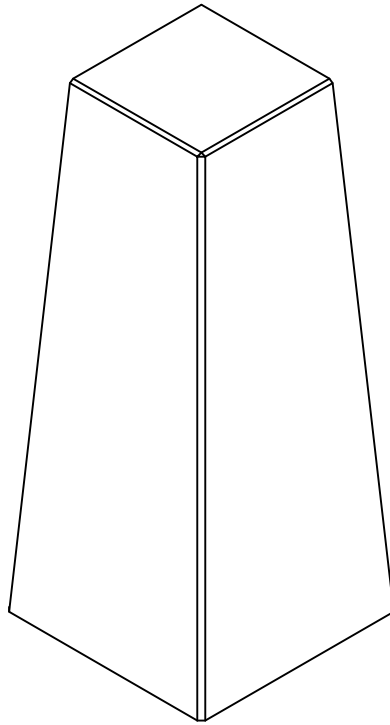
Date: 9/9/11

DWG: Bollards

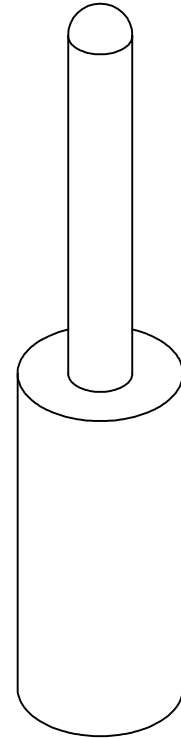
Bollards



Round Tapered Bollard



Squared Tapered Bollard



Strike Bollard

See Next Page
For Details



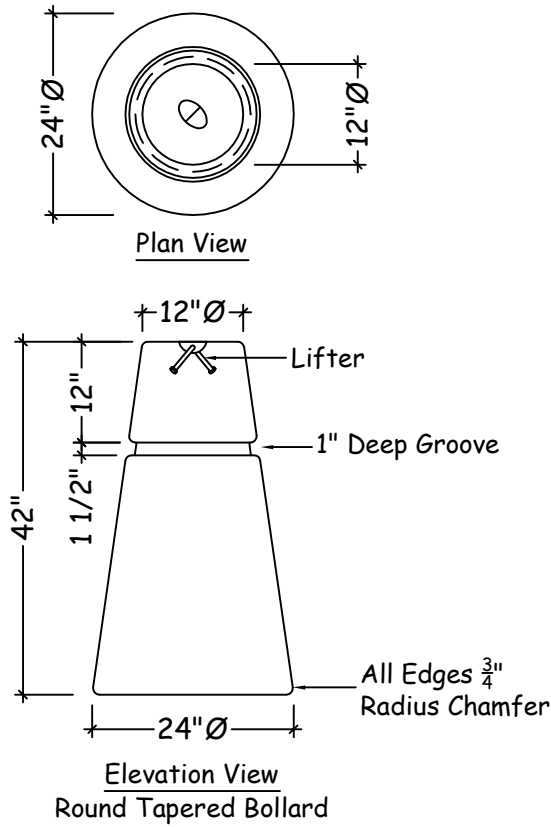
Lakelands Concrete Products, Inc.
 7520 East Main St., Lima, NY 14485
 Phone: 585-624-1990, Fax: 585-624-2102

Web: www.lakelandsconcrete.com
 E-mail: sales@lakelandsconcrete.com

Date: 9/9/11

DWG: Bollards

Bollards



Specifications:
 Design Criteria: 5000 Psi @28 Days
 Entrained Air: 5% - 9%
 Reinforcement: BAR-ASTM A615 GR60
 WWR-ASTM A185/A497
 GR65

Notes:
 *Anchor Bolts Can Be Added.
 Supplied By Lightpole Manufacturer
 *Can Add Conduit, Specified By Contractor
 *Steel Reinforcement (If Required)

**If You Need A Custom Bollard, Please Contact Our Office

