



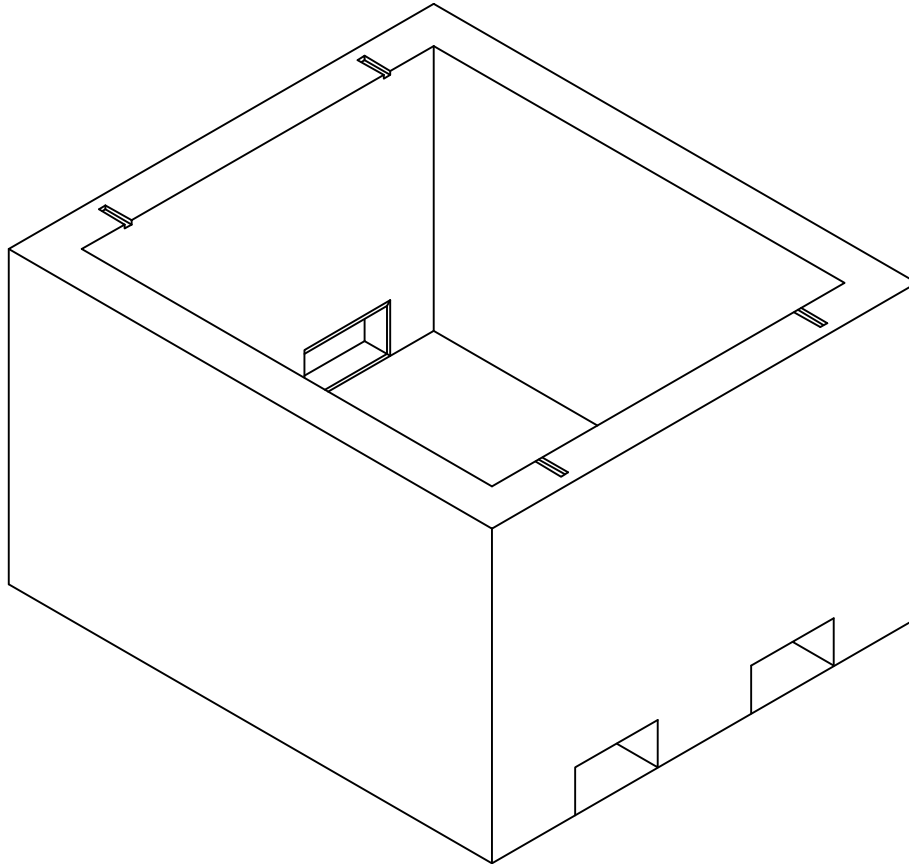
Lakelands Concrete Products, Inc.
7520 East Main St., Lima, NY 14485
Phone: 585-624-1990, Fax: 585-624-2102

Web: www.lakelandsconcrete.com
E-mail: sales@lakelandsconcrete.com

Date: 9/26/11

DWG: TP617036

National Grid Switch Gear Box





Lakelands Concrete Products, Inc.
 7520 East Main St., Lima, NY 14485
 Phone: 585-624-1990, Fax: 585-624-2102

Web: www.lakelandsconcrete.com
 E-mail: sales@lakelandsconcrete.com

Date: 9/26/11

DWG: TP617036

National Grid Switch Gear Box

Specifications:

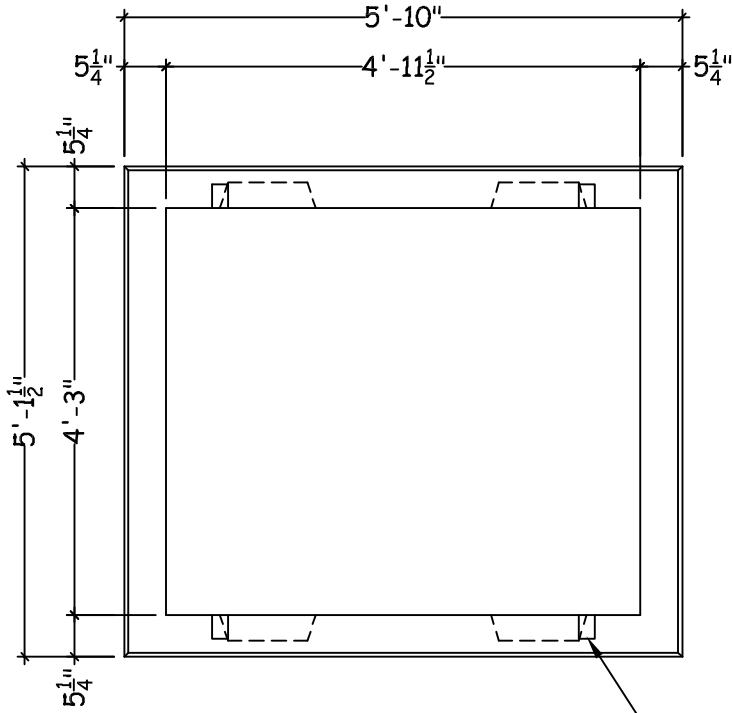
Design Criteria: 5000 Psi @28 Days

Entrained Air: 5% - 9%

Reinforcement: BAR-ASTM A615 GR60
 WWR-ASTM A185/A497 GR65

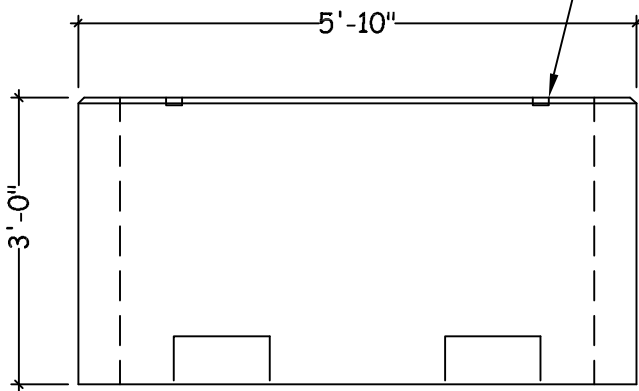
Notes:

- *Various Size Knockouts Or Openings As Required
- *Old Niagara Mohawk Transformer Vault
- *NIMO DRWG #A-35014-S
- *NIMO Item UF3C

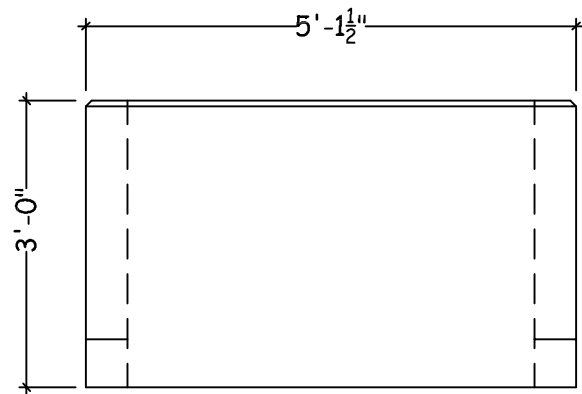


PLAN VIEW

Unistruts 3" x 1 3/4"



SECTION VIEW 'A'



SECTION VIEW 'B'

Weights:
 Vault: 3800 lbs