



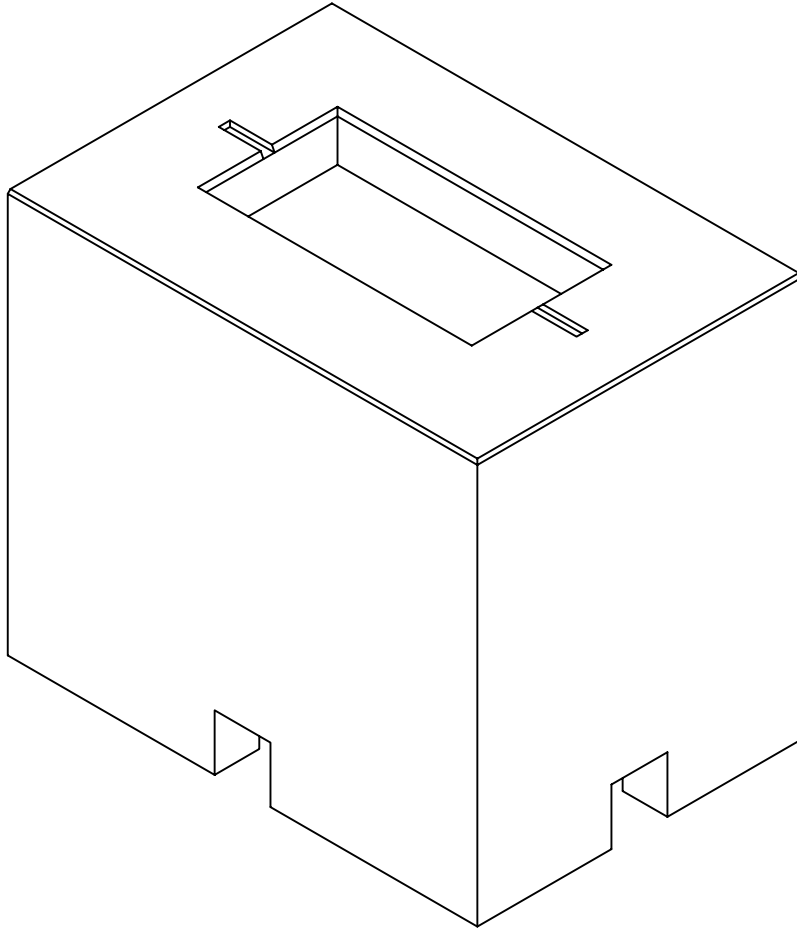
Lakelands Concrete Products, Inc.
7520 East Main St., Lima, NY 14485
Phone: 585-624-1990, Fax: 585-624-2102

Web: www.lakelandsconcrete.com
E-mail: sales@lakelandsconcrete.com

Date: 12/15/10

DWG: TP253630

Transformer Vault
2'-5"x3'-6"x3'-0"





Lakelands Concrete Products, Inc.
 7520 East Main St., Lima, NY 14485
 Phone: 585-624-1990, Fax: 585-624-2102

Web: www.lakelandsconcrete.com
 E-mail: sales@lakelandsconcrete.com

Date: 12/15/10

DWG: TP253630

Transformer Vault
 2'-5"x3'-6"x3'-0"

NYSEG SS# 262-725-00

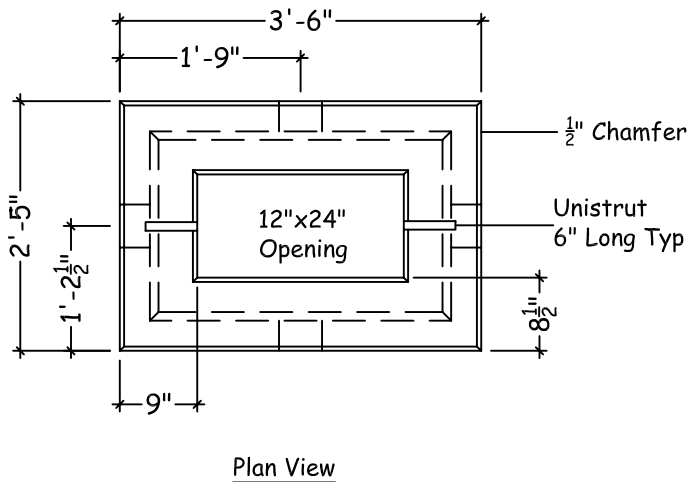
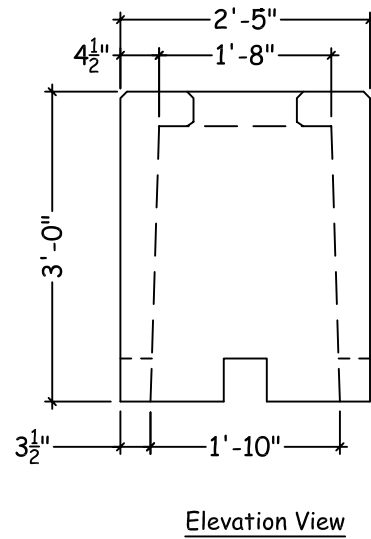
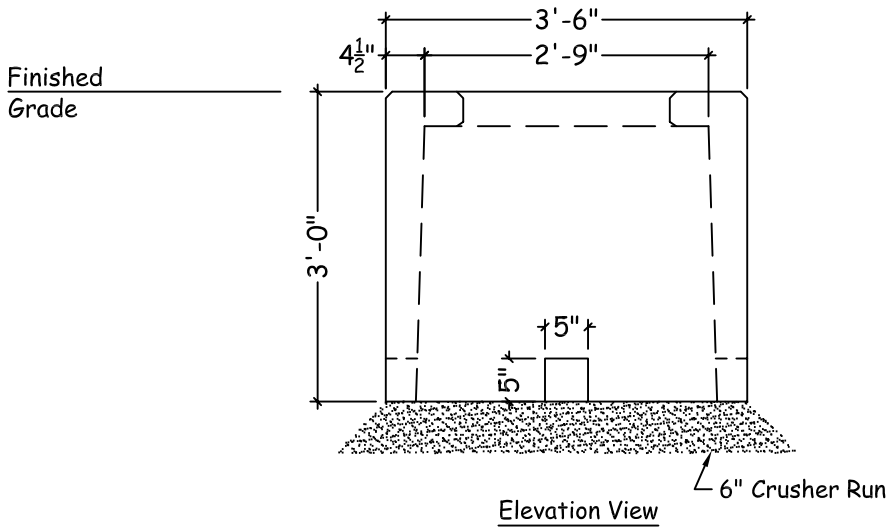
Specifications:

Design Criteria: 5000 Psi @28 Days

Entrained Air: 5% - 9%

Reinforcement: BAR-ASTM A615 GR60

WWR-ASTM A185/A497 GR65



Weights:
 Box: 1585lbs