



Lakelands Concrete Products, Inc.
7520 East Main St., Lima, NY 14485
Phone: 585-624-1990, Fax: 585-624-2102

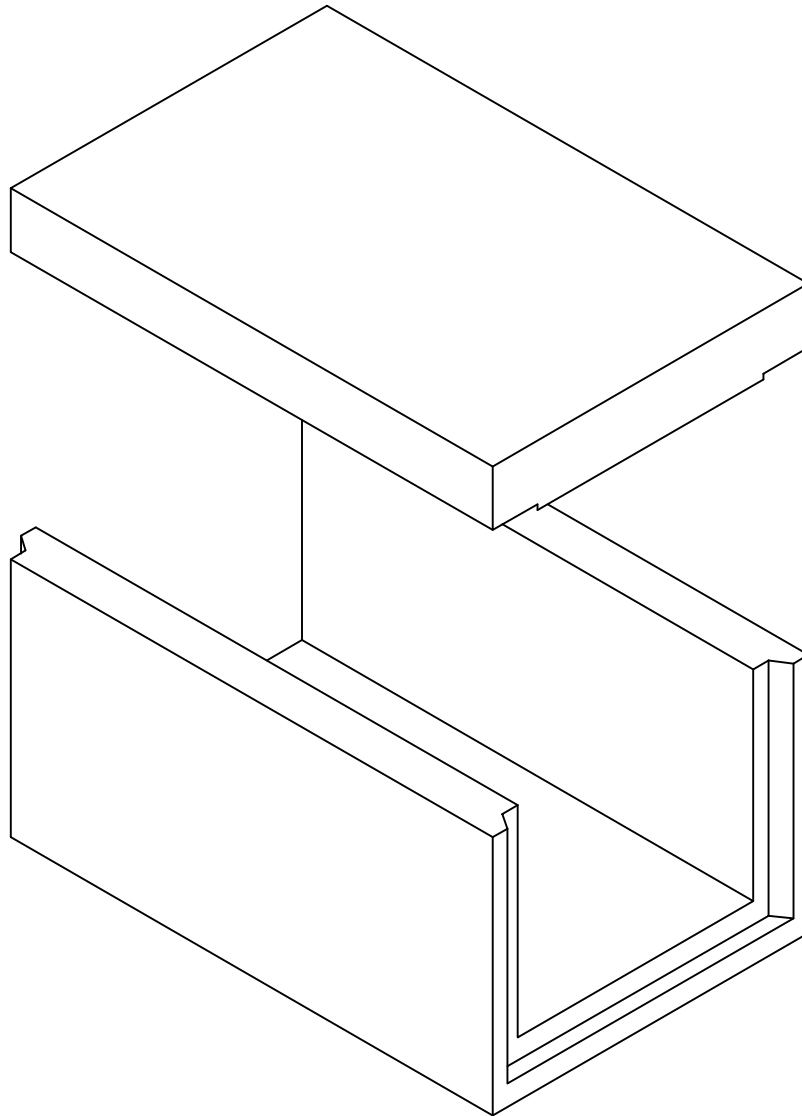
Web: www.lakelandsconcrete.com
E-mail: sales@lakelandsconcrete.com

Date: 7/8/11

DWG: PT-SGL

Single Cable Trench

PT-SGL





Lakelands Concrete Products, Inc.
 7520 East Main St., Lima, NY 14485
 Phone: 585-624-1990, Fax: 585-624-2102

Web: www.lakelandsconcrete.com
 E-mail: sales@lakelandsconcrete.com

Date: 7/8/11

DWG: PT-SGL

Single Cable Trench

PT-SGL

Specifications:

Design Criteria: 5000 Psi @28 Days

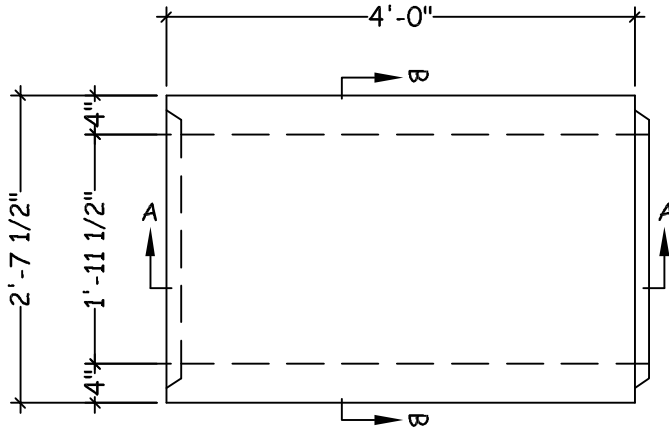
Entrained Air: 5% - 9%

Reinforcement: BAR-ASTM A615 GR60
 WWR-ASTM A185/A497 GR65

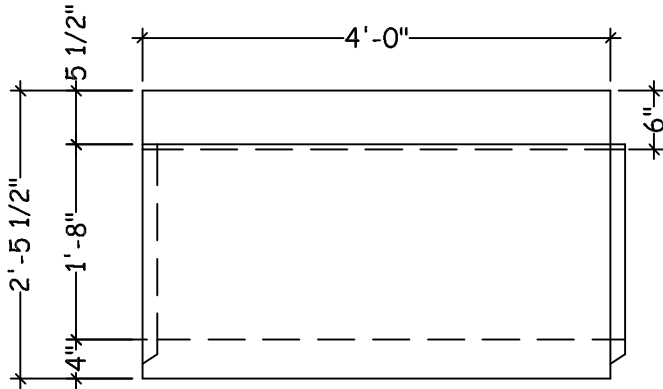
Notes:

*Heavy Duty Loading Available

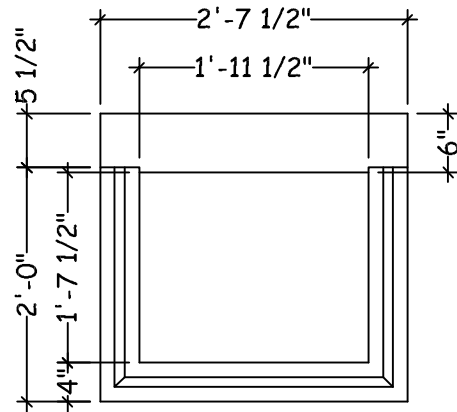
*Longer Sections Available



PLAN VIEW



SECTION VIEW 'A'



SECTION VIEW 'B'

Weight:
 Cover: 195 LBS Per LF
 Trench: 300 LBS Per LF