



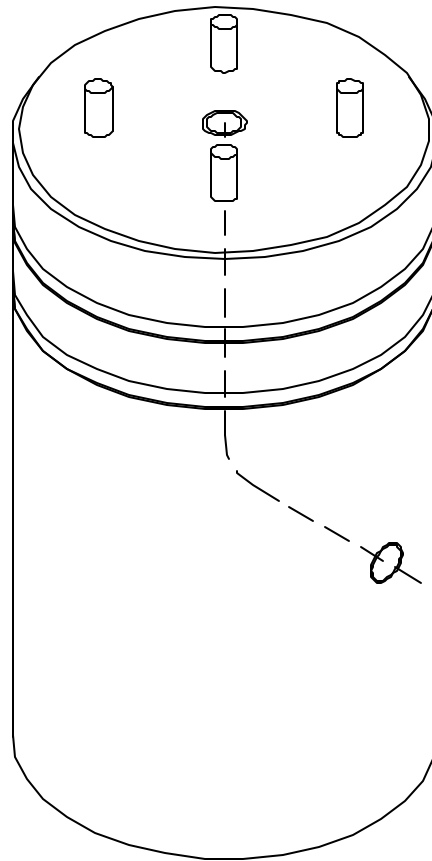
Lakelands Concrete Products, Inc.
7520 East Main St., Lima, NY 14485
Phone: 585-624-1990, Fax: 585-624-2102

Web: www.lakelandsconcrete.com
E-mail: sales@lakelandsconcrete.com

Date: 1/07/03

DWG: LBRDA

Architectural Lightbase





Lakelands Concrete Products, Inc.
 7520 East Main St., Lima, NY 14485
 Phone: 585-624-1990, Fax: 585-624-2102

Web: www.lakelandsconcrete.com
 E-mail: sales@lakelandsconcrete.com

Date: 1/07/03

DWG: LBRDA

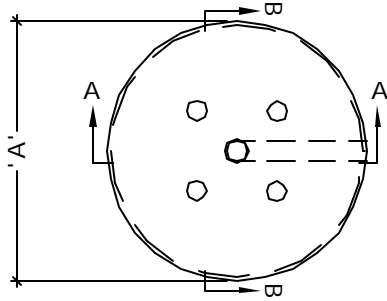
Architectural Lightbase

Specifications:

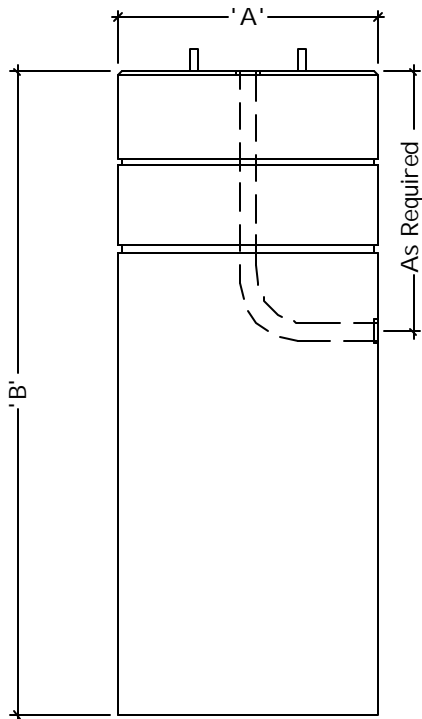
Concrete: 5000psi @ 28 Days
 Entrained Air: 5% - 9%
 Reinforcing: fy= 60,000 psi ASTM A615

Notes:

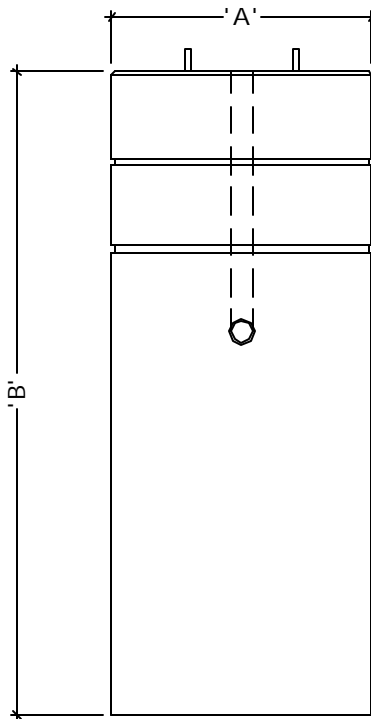
- *Anchor Bolts Supplied By Lightpole Manufacturer
- *Size And Type Of Conduit Specified By Contractor
- *Steel Reinforcement As Specified



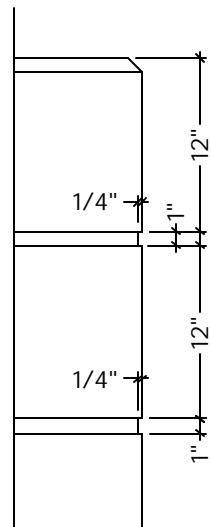
PLAN VIEW



SECTION VIEW 'A'



SECTION VIEW 'B'



Reveal Detail

Model No.	A	B	Model No.	A	B
LB24D72A	24"	72"			
LB24D78A	24"	78"			
LB24D84A	24"	84"			
LB24D90A	24"	90"			
LB24D96A	24"	96"			
LB24D120A	24"	120"			

*Minimum Base Height Is 6'-0"