



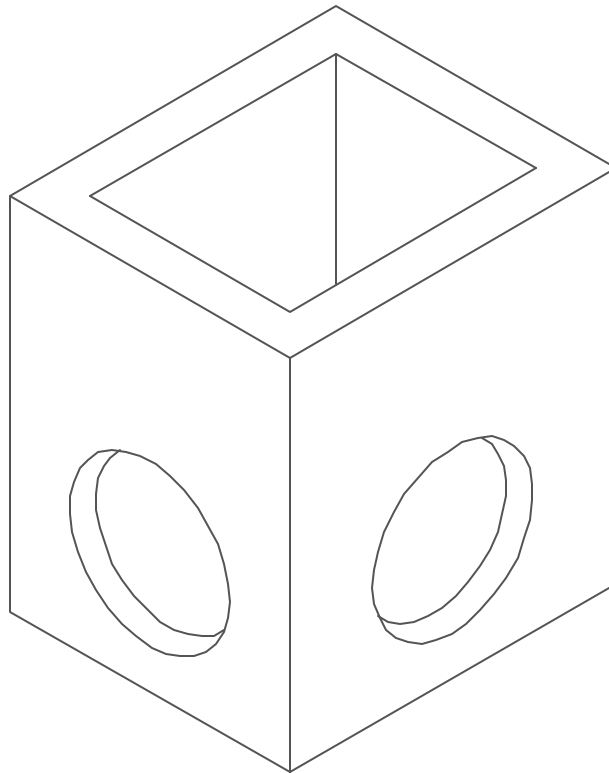
Lakelands Concrete Products, Inc.
7520 East Main St., Lima, NY 14485
Phone: 585-624-1990, Fax: 585-624-2102

Web: www.lakelandsconcrete.com
E-mail: sales@lakelandsconcrete.com

Date: 2/2/01

DWG: CB3038

Catch Basins
2' -6" x 3' -2" x Varies





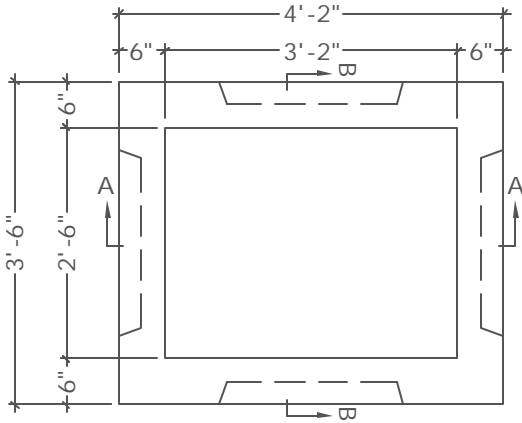
Lakelands Concrete Products, Inc.
 7520 East Main St., Lima, NY 14485
 Phone: 585-624-1990, Fax: 585-624-2102

Web: www.lakelandsconcrete.com
 E-mail: sales@lakelandsconcrete.com

Date: 2/2/01

DWG: CB3038

Catch Basins
 2'-6" x 3'-2" x Varies

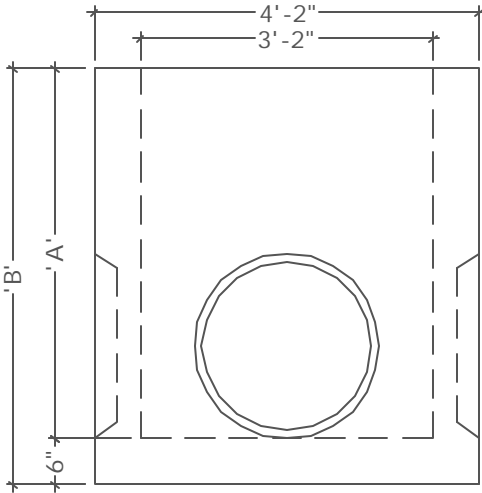


Plan View

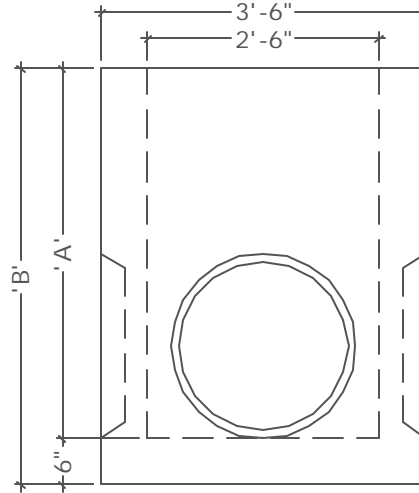
Specifications:

Concrete: 5000psi @ 28 Days
 Entrained Air: 5% - 9%
 Reinforcing: fy= 60,000psi ASTM A615
 Design Loading: HS20-44 @ Zero Earth Cover

*Various Size Knockouts Or Openings as Required
 *Cast I ron Frame And Grates Available



Elevation View 'A'



Elevation View 'B'

Model No.	A	B	Weight	Model No.	A	B	Weight
CB303830	30"	36"	3600#	CB303854	54"	60"	5597#
CB303836	36"	42"	4095#	CB303860	60"	66"	6096#
CB303842	42"	48"	4596#	CB303866	66"	72"	6600#
CB303848	48"	54"	5100#				