



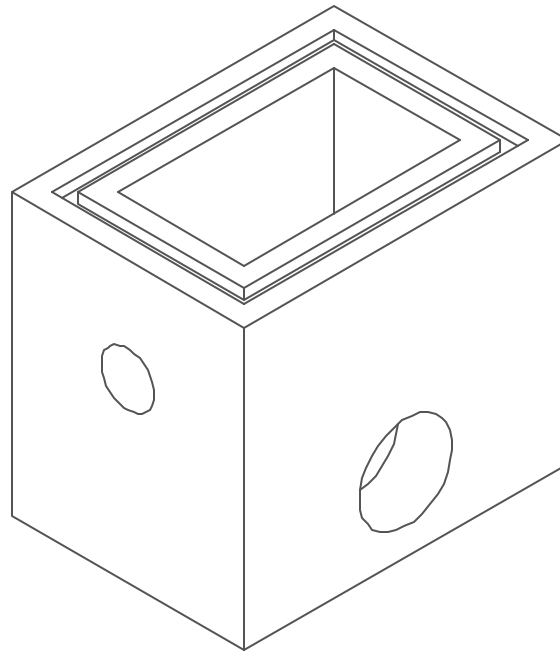
Lakelands Concrete Products, Inc.
7520 East Main St., Lima, NY 14485
Phone: 585-624-1990, Fax: 585-624-2102

Web: www.lakelandsconcrete.com
E-mail: sales@lakelandsconcrete.com

Date: 2/2/01

DWG: CB192230

Catch Basin
1'-6¹⁵/₁₆" x 1'-10¹/₂" x 2'-6"





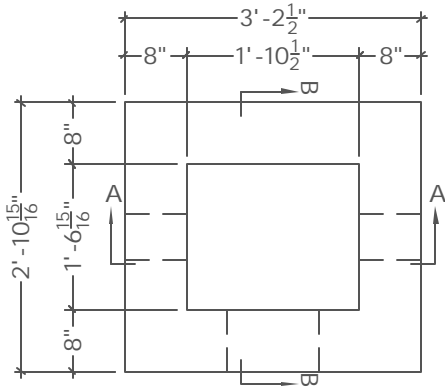
Lakelands Concrete Products, Inc.
7520 East Main St., Lima, NY 14485
Phone: 585-624-1990, Fax: 585-624-2102

Web: www.lakelandsconcrete.com
E-mail: sales@lakelandsconcrete.com

Date: 2/2/01

DWG: CB192230

Catch Basin
1'-6¹⁵/₁₆" x 1'-10¹/₂" x 2'-6"

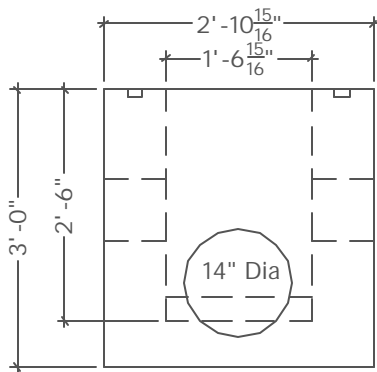


Plan View

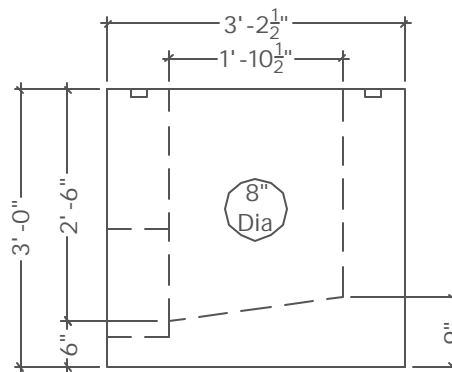
Specifications:

Concrete: 5000psi @ 28 Days
Entrained Air: 5% - 9%
Reinforcing: fy= 60,000psi ASTM A615
Design Loading: AASHTO HS20

- *Concrete Cover Available With Various Size Openings
- *Various Size Knockouts Or Openings as Required
- *Cast I ron Frame And Grates Available



Elevation View 'A'



Elevation View 'B'

Weights:
Box: 3218#