



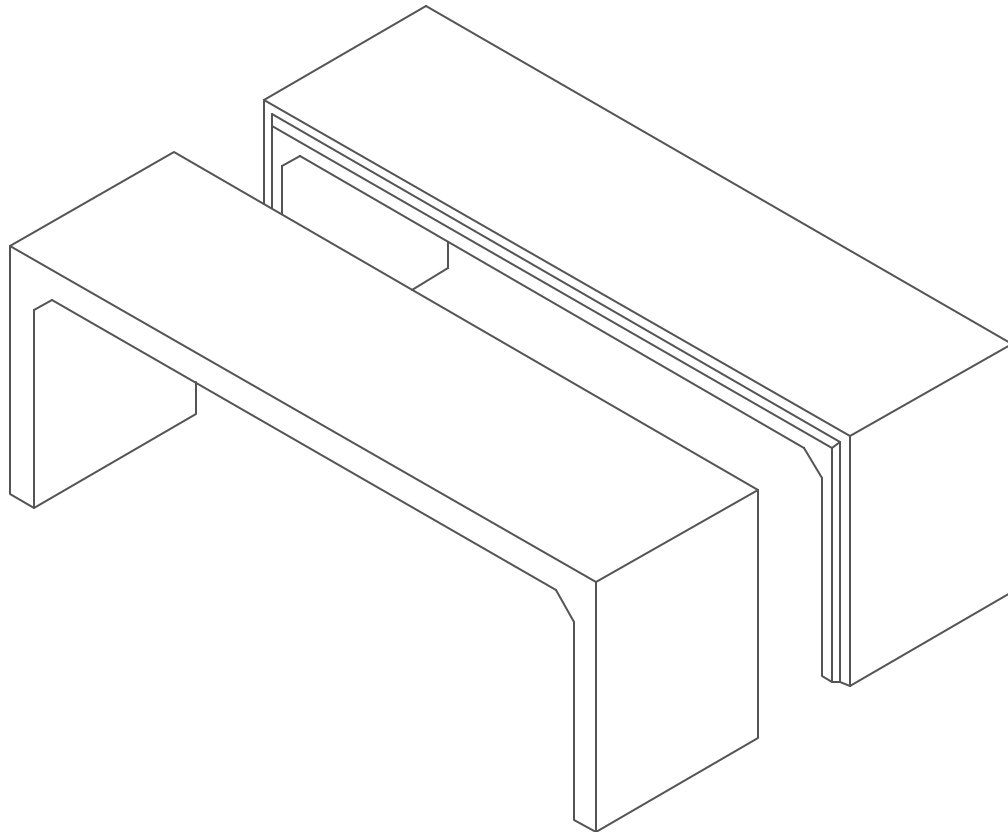
Lakelands Concrete Products, Inc.
7520 East Main St., Lima, NY 14485
Phone: 585-624-1990, Fax: 585-624-2102

Web: www.lakelandsconcrete.com
E-mail: sales@lakelandsconcrete.com

Date: 2/2/01

DWG:BR-SPAN

3- Sided Culvert





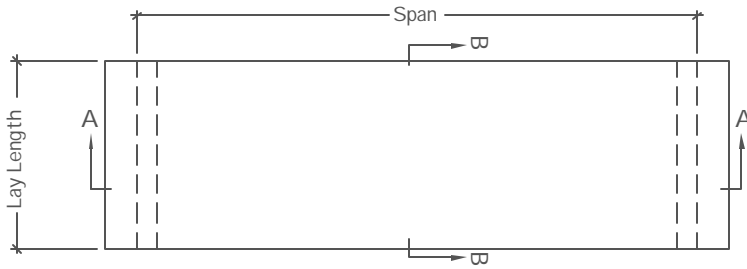
Lakelands Concrete Products, Inc.
7520 East Main St., Lima, NY 14485
Phone: 585-624-1990, Fax: 585-624-2102

Web: www.lakelandsconcrete.com
E-mail: sales@lakelandsconcrete.com

Date: 2/2/01

DWG: BR-SPAN

3-Sided Culvert



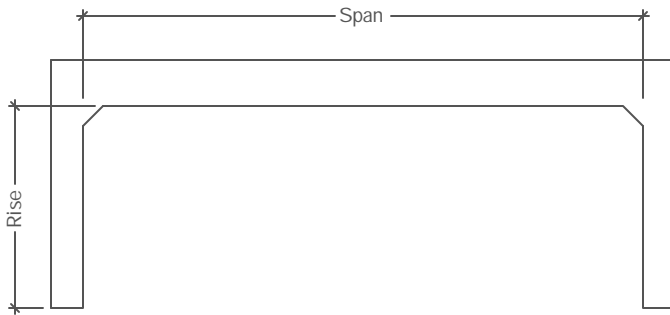
PLAN VIEW

Specifications:

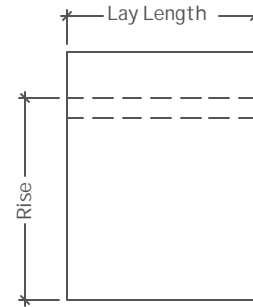
Concrete:	5000psi @ 28 Days
Entrained Air:	5% - 9%
Design Load:	AASHTO HS20, HS25
Reinforcing:	$f_y = 60,000$ psi ASTM A615

Notes:

- *Tapered And Skewed End Sections Available
- *Maximum Lay Length Per Section = 7' - 6"
- *Ship Lap Joints



SECTION VIEW 'A'



SECTION VIEW 'B'